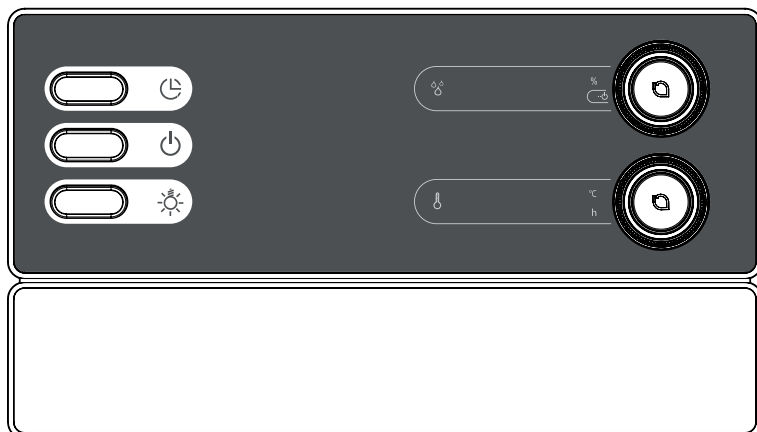


Sauna control unit

Pro B3

PRO-B3

INSTRUCTIONS FOR INSTALLATION AND USE
English



EN

DE

FR

IT

NL

SV

FI

Table of Contents

1. About this instruction manual	5
2. Important information for your safety	6
2.1. Intended use	6
2.2. Safety information for the installer	7
2.3. Safety information for the user	8
3. Product description	9
3.1. Scope of delivery	9
3.2. Optional accessories	9
3.3. Product functions	9
3.4. Sauna operating modes	10
3.5. Sensor operating modes	10
4. Installation	12
4.1. Installing the sauna control unit	12
4.2. Installing the heater sensor F1 with excess temperature fuse	14
4.3. Installing bench sensor F2 (optional)	15
4.4. Installing the humidity temperature sensor FTS2 (optional)	15
5. Electrical connection	16
5.1. Connecting the power supply cable, heater and evaporator	17
5.2. Connecting the light	17
5.3. Connecting the fan (optional)	18
5.4. Connecting the power booster (optional)	18
5.5. Connecting heater sensor F1	18
5.6. Installing bench sensor F2 (optional)	18
5.7. Installing humidity temperature sensor FTS2 (optional)	19
5.8. Connecting the safety shut-off	19
5.9. Remote start	20
5.10. Finishing installation	20

6. Performing tests	21
7. Connection diagram	23
8. Starting-up	24
8.1. Setting the heating period limit	24
8.2. Activating/deactivating phase alignment	25
8.3. Activating/deactivating the single-sensor mode	25
8.4. Activating evaporator single mode	25
8.5. Displaying the heater temperature in single-sensor mode	26
9. Operation	27
9.1. Operating elements	27
9.2. Switching on the light	27
9.3. Switching on the sauna control unit	28
9.4. Starting sauna mode	28
9.5. Starting combi mode	29
9.6. Changing the preset temperature	30
9.7. Changing the preset humidity	30
9.8. Activating standby for remote operation	31
9.9. Setting the preset time	32
9.10. Cancelling the preset time function	33
9.11. Cancelling the post-drying programme	33
9.12. Saunabetrieb ausschalten	33
9.13. Switching off the sauna control unit	33
10. Cleaning and maintenance	34
10.1. Cleaning	34
10.2. Maintenance	34

11. Disposal	34
12. Troubleshooting	35
12.1. Error messages.....	35
12.2. Low-water display.....	36
12.3. Fuses.....	36
13. Technical data	37

1. About this instruction manual

Read these instructions for installation and use carefully and keep them within reach of the sauna control unit. This ensures that you can refer to information regarding your safety and regarding operation at any time.



These installation and operating instructions can also be found in the downloads section of our website: www.sentiotec.com/downloads.

Symbols used for warning notices

In these instructions for installation and use, a warning notice located next to an activity indicates that this activity poses a risk. Always observe the warning notices. This prevents damage to property and injuries, which in the worst case may be fatal.

The warning notices contain keywords, which have the following meanings:



DANGER!

Serious or fatal injury will occur if this warning notice is not observed.



WARNING!

Serious or fatal injury can occur if this warning notice is not observed.



CAUTION!

Minor injuries can occur if this warning notice is not observed.

ATTENTION!

This keyword is a warning that damage to property can occur.

Other symbols



This symbol indicates tips and useful information.

2. Important information for your safety

The sauna control unit Pro B3 has been produced in accordance with the applicable safety regulations for technical units. However, hazards may occur during use. Therefore adhere to the following safety information and the specific warning notices in the individual chapters. Also observe the safety information for the devices connected.

2.1. Intended use

The sauna control unit Pro B3 is used exclusively for operating and controlling the sauna functions in accordance with the technical data.

The sauna control unit Pro B3 may only be used for operating and controlling a sauna heater which has been certified as satisfying the combustion test described in paragraph 19.101 of EN 60335-2-53. If the heater does not meet this requirement, an appropriate safety precaution must be taken (for example: safety shut-off, see **5.8** on page **19**).

The sauna control unit Pro B3 may only be used for operating and controlling 3 heating circuits with a maximum heating capacity of 3.5 kW per heating circuit. The maximum evaporator capacity totals 3.5 kW.

Any use exceeding this scope is considered improper use. Improper use can result in damage to the product, in severe injuries or death.

2.2. Safety information for the installer

- Installation may only be performed by a qualified electrician or similarly qualified person.
- Work on the sauna control unit may only be performed when the power has been disconnected.
- An all-pole disconnecting device with full cut-off compliant with overvoltage category III must be fitted on-site.
- The sauna control unit must be installed outside the sauna room at a height of approx. 1.70 m or in accordance with the recommendation issued by the sauna manufacturer. The ambient temperature must be within a range spanning -10 °C to +40 °C.
- The heater sensor must be attached in a way that it is not affected by a flow of air.
- The heater supply cable must have a minimum cross-section of 2.5 mm² and be temperature resistant up to 150 °C.
- Also comply with the regulations applicable at the installation location.
- For your own safety, consult your supplier in the event of problems that are not explained in sufficient detail in the installation instructions.

2.3. Safety information for the user

- The sauna control unit must not be used by children under 8 years old.
- The sauna control unit may only be used by children above 8 years old, by persons with limited psychological, sensory or mental capabilities or by persons with lack of experience/knowledge:
 - When they are supervised.
 - When they have been shown how to use the device safely and are aware of the hazards that could occur.
- Children must not play with the sauna control unit.
- Children under 14 years of age may only clean the sauna control unit if they are supervised.
- For health reasons, do not use the sauna when under the influence of alcohol, medication or drugs.
- Make sure that no flammable objects have been placed on the sauna heater before the sauna control unit is switched on.
- Make sure that no flammable objects have been placed on the heater before activating the preset time function or the stand-by mode for the remote start.
- For your own safety, consult your supplier in the event of problems that are not described in sufficient detail in the operating instructions.

3. Product description

3.1. Scope of delivery

- Sauna control unit
- Heater sensor with integrated excess temperature fuse
- Installation material
- Wire jumper for bridging terminals **V1** and **Wm** for combi heaters without low-water shut-off

3.2. Optional accessories

- Bench sensor (item number: O-F2)
- Humidity temperature sensor (item number: O-FTS2)
- Power booster (item number: O-S2-18 / O-S2-30)
- Safety shut-off (item number: HT-SWL)
- pronet web server (item number: PRO-NET)

3.3. Product functions

The sauna control unit Pro B3 features the following functions:

- Regulation of combi heaters with a heating output of up to 10.5 kW and evaporator output of up to 3.5 kW in the temperature range spanning 30 °C to 110 °C and a humidity range spanning 5 % to 100 %.
- A power booster allows the maximum contact rating to be increased from 10.5 kW to 18 kW or 30 kW.
- Remote start function
- Preset time function (up to 24 hours)
- Automatic heating period limiter
The sauna control unit shuts down automatically after the maximum heating period for safety reasons. The maximum heating period can be set to 6 h, 12 h, 18 h or 24 h.
- Post-drying programme
Once combi-mode has finished, the post-drying programme starts automatically to prevent mould or rot from forming in the sauna room. This involves heating the sauna room to 80 °C with the fan running for 30 minutes.

- **Excess temperature fuse**

The excess temperature fuse is installed in the housing for the heater sensor. Should the sauna heater continue heating after reaching the preferred temperature due to a defect, the excess temperature fuse switches the sauna heater off at a temperature of approx. 139 °C.

3.4. Sauna operating modes

The sauna control unit Pro B3 provides two operating modes, sauna mode and combi mode.

Sauna mode

Dry heat is provided in sauna mode. The temperature in the room is high (80 to 100 °C) The humidity level of maximum 10 % is low.

Combi mode

The evaporator operates along with the sauna heater in combi mode. The temperature in the sauna room is lower (approx. 40 to 65 °C) than in sauna mode, with the relative humidity being considerably higher, spanning 35 % to approximately 70 %. The maximum humidity level which can be set depends on the temperature of the sauna. The higher the sauna temperature, the lower the maximum humidity level which can be set.

3.5. Sensor operating modes

The sauna control unit can be operated with one or two sensors. A temperature sensor (bench sensor, F2) or a humidity sensor (FTS2) can be used as the second sensor.

Single-sensor mode (F1)

Single-sensor mode must be activated when starting up the sauna for the first time (see **8.3. Activating/deactivating the single-sensor mode** on page 25).

In single-sensor mode, the sauna control unit is operated with the heater sensor with excess temperature fuse (F1) only. This is included in the scope of delivery.

In single-sensor mode, the sauna control unit only displays the set temperature as standard. The actual temperature is not displayed. Should the sauna control unit display the temperature above the heater (F1) as an actual temperature in single-sensor mode, it must be activated when starting up for the first time (see **8.5. Displaying the heater temperature in single-sensor mode** on page **26**)

The maximum humidity level which can be set is based on the temperature above the heater, and the humidity is timed. Only the set value for the humidity level (in % of relative humidity) is displayed by the sauna control unit. The actual humidity level in the sauna room when humidity is timed depends on the size of the room and the evaporator capacity, and may deviate from the set value.

Two-sensor mode with bench sensor (F2)

In two-sensor mode with bench sensor, a second temperature sensor (bench sensor) is installed above the rear sauna bench. The sauna control unit displays the temperature measured by the bench sensor as the actual temperature.

In two-sensor mode with bench sensor, the humidity is timed. Only the set value for the humidity level (in % of relative humidity) is displayed by the sauna control unit. The actual humidity level in the sauna room when humidity is timed depends on the size of the room and the evaporator capacity, and may deviate from the set value.

Two-sensor mode with humidity temperature sensor (FTS2)

When a humidity temperature sensor is used in two-sensor mode, the sauna control unit displays the temperature which is measured by the humidity temperature sensor as the actual temperature.

In two-sensor mode with humidity temperature sensor, the evaporator is regulated in accordance with the humidity level measured in the sauna room. The actual value for the humidity level (in % of relative humidity) is displayed by the sauna control unit.

4. Installation

4.1. Installing the sauna control unit

ATTENTION!***Damage to the unit***

The sauna control unit is protected against jets of water, however direct contact with water could still damage the unit.

- Install the sauna control unit in a dry place at which a maximum humidity of 95 % is not exceeded.
-

ATTENTION!***Sources of interference can have a negative effect on signal transmission***

- Lay all sensor wires separately from other mains wires and control wires.
 - Protect wires with only one layer of insulation by using a pipe (double insulation).
-

Observe the following points when installing the sauna control unit:

- The sauna control unit must be installed outside the sauna room or in accordance with the recommendation issued by the sauna manufacturer.
- The ambient temperature must be within a range spanning -10 °C to +40 °C.
- The sensors may only be connected using the sensor wires provided with the unit, which are heat-resistant up to 150 °C.



The sensor wires may be extended under the following conditions:

- When a silicon wire resistant to temperatures up to 150 °C is used.
 - The minimum cross-section of the wire is 0.5 mm².
 - The length of the heater sensor wires may NOT exceed 10 m.
-

To install the sauna control unit, perform the following steps:

1. Screw two Phillips-head screws (16 mm) into the wall of the sauna at a height of approx. 1.70 m to a distance of up to 7 mm. The two screws must be placed at a distance of 145 mm from each other (see **Fig. 1**).

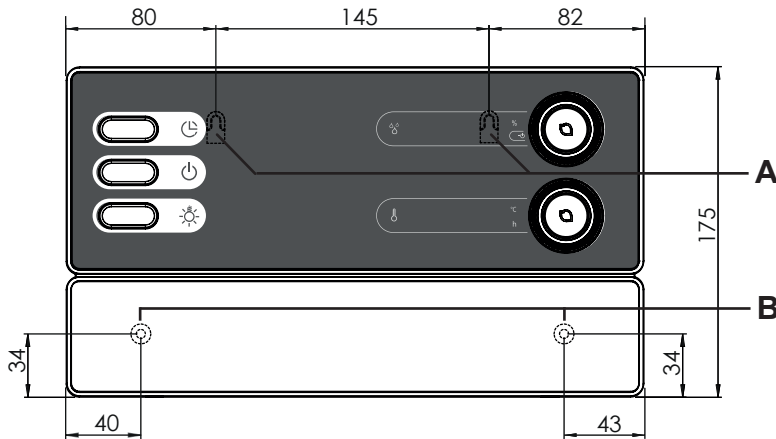


Fig. 1 Position of the attachment device and the installation holes (dimensions in mm)

2. Press the clip locks **C** in lightly using a screwdriver and remove the cover from the housing (see **Fig. 2**).
3. Fasten the sauna control unit onto the Phillips-head screws using the attachment device **A** as an aid (see **Fig. 1**).
4. Screw two Phillips-head screws (16 mm) into the lower fastening holes **B** (see **Fig. 1**).

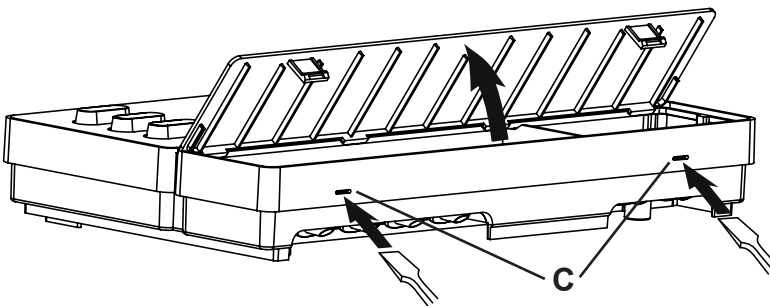


Fig. 2 Removing the cover from the housing

4.2. Installing the heater sensor F1 with excess temperature fuse

Observe the following points when installing the heater sensor:

- The heater sensor must be installed on the rear of the heater, above the middle of the sauna heater. An interval of approx. 15 cm to the roof of the sauna room must be maintained.
- The heater sensor must be attached in a way that it is not affected by a flow of air.

To install the heater sensor, perform the following steps (see **Fig. 3**):

1. Lay the two 2-pin heater sensor wires in the wall of the sauna room, leading them to the heater sensor installation location and affix the heater sensor wires using wire clips.
2. Pull the two half-shells **1** of the heater sensor apart.
3. Connect the four connectors for the heater sensor wire **5** in accordance with the **Fig. 3**.
4. Place the connection panel **2** crossways (as shown in **Fig. 3**) in the heater sensor half-shells.
5. Place the two half-shells together, screw them together using the two Phillips-head screws **3** (9 mm) and check whether the heater sensor has been securely closed.
6. Install the heater sensor on the rear of the heater using the two wood screws enclosed **6** (16 mm).

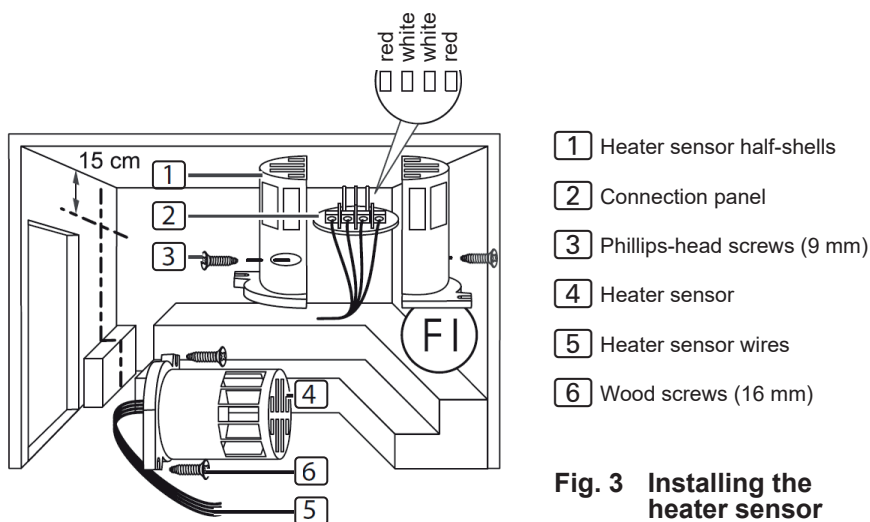


Fig. 3 Installing the heater sensor

4.3. Installing bench sensor F2 (optional)

The bench sensor must be installed on the wall of the sauna room, above the rear bench seat. An interval of approx. 15 cm to the roof of the sauna room must be maintained.

To install the bench sensor, perform the following steps:

1. Lay the two 2-pin bench sensor wires in the wall of the sauna room, leading them to the bench sensor installation location and affix the bench sensor wires using wire clips.
2. Pull the two half-shells of the bench sensor apart.
3. Connect the two connectors for the bench sensor wire to the two middle terminals on the connection panel.
4. Place the connection panel crossways in the bench sensor half-shells.
5. Place the two half-shells together and screw them together using the two Phillips-head screws (9 mm).
6. Check whether the bench sensor has been securely closed.
7. Install the bench sensor on the wall of the sauna room using the two wood screws enclosed (16 mm). Maintain an interval of 15 cm to the roof of the sauna room.

4.4. Installing the humidity temperature sensor FTS2 (optional)

The humidity temperature sensor must be installed on the wall of the sauna room above the rear bench seat. An interval of approx. 15 cm to the roof of the sauna must be maintained.

To install the humidity temperature sensor, perform the following steps:

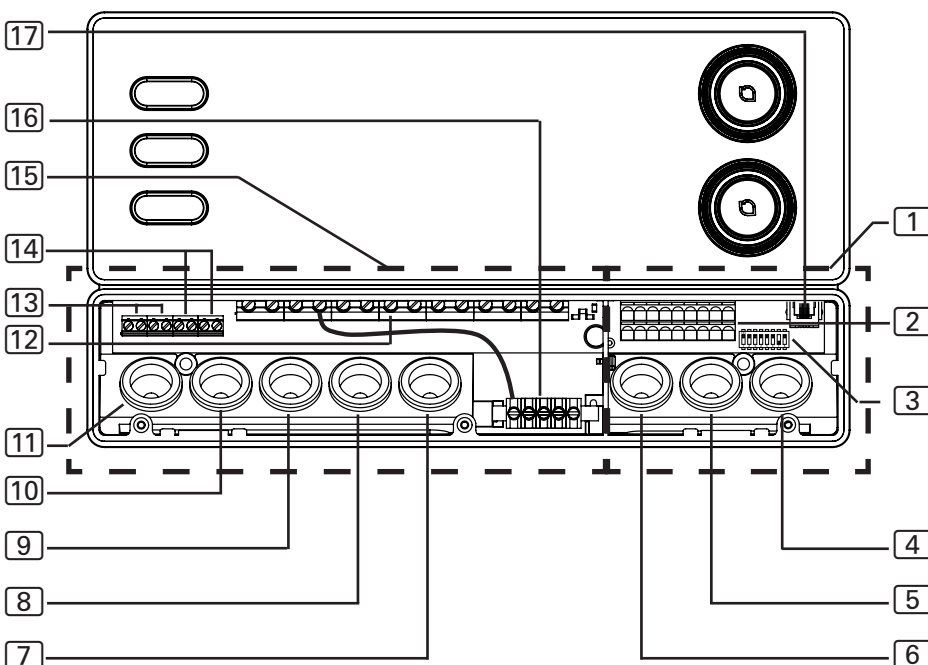
1. Lay the two 5-pin bench sensor wires in the wall of the sauna room, leading them to the humidity temperature sensor installation location and affix the sensor wires using wire clips.
2. Install the humidity temperature sensor to the wall of the sauna room using the two wood screws enclosed (16 mm). Maintain an interval of 15 cm to the roof of the sauna room.

5. Electrical connection

ATTENTION!

Damage to the unit

- The sauna control unit may only be used for operating and controlling 3 heating circuits with a maximum heating capacity of 3.5 kW per heating circuit. The maximum evaporator capacity totals 3.5 kW.



- | | | | |
|---|---|----|---|
| 1 | Low-voltage connection area | 9 | Cable bushing for power supply cable |
| 2 | Terminal strips for safety shut-off device, remote start and sensor wires | 10 | Cable bushing for power booster |
| 3 | Function selection switch | 11 | Cable bushing for lights and fan |
| 4 | Cable bushing for F2 and FTS2 sensors | 12 | Terminal strip for heater and evaporator and power supply cable |
| 5 | Cable bushing for F1 sensor | 13 | Terminal strip for lights and fan |
| 6 | Cable bushing for safety shut-off device and remote start | 14 | Terminal strip for power booster |
| 7 | Cable bushing for evaporator cable | 15 | Connection area for 230 V / 400 V |
| 8 | Cable bushing for heater wire | 16 | Earth rail |
| | | 17 | RJ45 socket for RS-485 and pronet |

Observe the following points when connecting the power to the sauna control unit:

- Installation may only be performed by a qualified electrician or similarly qualified person.



Please observe that in the event of a guarantee claim, a copy of the bill from the electrician performing the work must be presented.

- Work on the sauna control unit may only be performed when the power has been disconnected.
- There must be a fixed connection for the electrical power supply.
- An all-pole disconnecting device with full cut-off compliant with overvoltage category III must be fitted on-site.
- Observe the connection diagram (**Fig. 4**) on page **23**.

5.1. Connecting the power supply cable, heater and evaporator

1. Guide the power supply, heater and evaporator cable through the cable bushings **9**, **8**, **7** into the connection area for 230 V/400 V **15**.
2. Connect the power supply cables to the terminal strip **12** in accordance with the connection diagram. Observe the operating instructions for the respective devices.
3. If the evaporator does not feature an automatic low-water shut-off function, then perform the following step as well:
 - Use the wire jumper enclosed to connect terminal “**V1**” to terminal “**Wm**”.

5.2. Connecting the light

1. Guide the light cable through the cable bushing **11** into the connection area for 230 V/400 V **15**.
2. Connect the light cable to the terminal strip **13** in accordance with the connection diagram. Observe the operating instructions for the respective device.

5.3. Connecting the fan (optional)

1. Guide the light cable through the cable bushing **11** into the connection area for 230 V/400 V **15**.
2. Connect the fan cable to the terminal strip **13** in accordance with the connection diagram. Observe the operating instructions for the respective device.

5.4. Connecting the power booster (optional)

1. Guide the cable for the power booster through the cable bushing **10** into the connection area for 230 V/400 V **16**.
2. Connect the cable for the power booster to the terminal strip **14** in accordance with the connection diagram. To do so, use terminal “**ST1**” for the safety circuit, and terminal “**ST2**” for the control circuit. Observe the operating instructions for the respective device.

5.5. Connecting heater sensor F1

1. Guide the wires for the heater sensor through the cable bushing **5** into the low-voltage connection area **1**.
2. Connect the red wires for the heater sensor to the terminals labelled “**STB**” in terminal strip **2**.
3. Connect the white wires for the heater sensor to the terminals labelled “**F1**” in terminal strip **2**.

5.6. Installing bench sensor F2 (optional)

1. Guide the wires for the bench sensor through the cable bushing **4** into the low-voltage connection area **1**.
2. Connect the wires for the bench sensor to the terminals labelled “**F2**” in terminal strip **2**.

5.7. Installing humidity temperature sensor FTS2 (optional)

1. Guide the wires for the sensor through the cable bushing **4** into the low-voltage connection area **1**.
2. Connect the wires for the temperature sensor to the terminals labelled “**F2**” in terminal strip **2**.
 - a. Connect the black wire to the right terminal.
 - b. Connect the brown wire to the left terminal.
3. Connect the wires for the humidity sensor to the terminals labelled “**+ S -**” in terminal strip **2**.
 - c. Connect the green wire to terminal “**+**”.
 - d. Connect the orange wire to terminal “**S**”.
 - e. Connect the red wire to terminal “**-**”.

5.8. Connecting the safety shut-off

EN 60335-2-53 states that sauna control units with remote control may only be used for operating and regulating a sauna heater which has satisfied the combustion test described in paragraph 19.101. Alternatively, a suitable safety shut-off device can be installed in or above the heater. This shuts the sauna heater off when objects, e.g. a towel, are placed on the sauna heater.

To install the safety shut-off device, perform the following steps:

1. Install the safety shut-off device in accordance with the operating instructions for the device.
2. Guide the wires for the safety shut-off device through the cable bushing **6** into the low-voltage connection area **1**.
3. Connect the wires to the terminals labelled “**OSG**” in terminal strip **2**.




If a safety shut-off is not installed, a jumper must be fitted at the terminals labelled “**OSG**”.

5.9. Remote start

The remote start device is connected using terminals “S”, “B” and “C”. “S” stands for sauna mode and “C” for evaporator mode. “B” is a +24 V DC output. The preferred operating mode must be activated using a switch or actuator on the terminal.

5.10. Finishing installation

1. Connect the earth conductor for the power supply cable and all devices to the earth rail .
2. Place the cover of the housing on the upper edge of the junction box.
3. Push the clip locks inwards lightly, and turn the cover of the housing downwards until it engages audibly.

6. Performing tests

The following tests must be performed by a certified electrical fitter.



WARNING!

The following tests must be performed with the power supply switched on. There is a danger of electric shock.

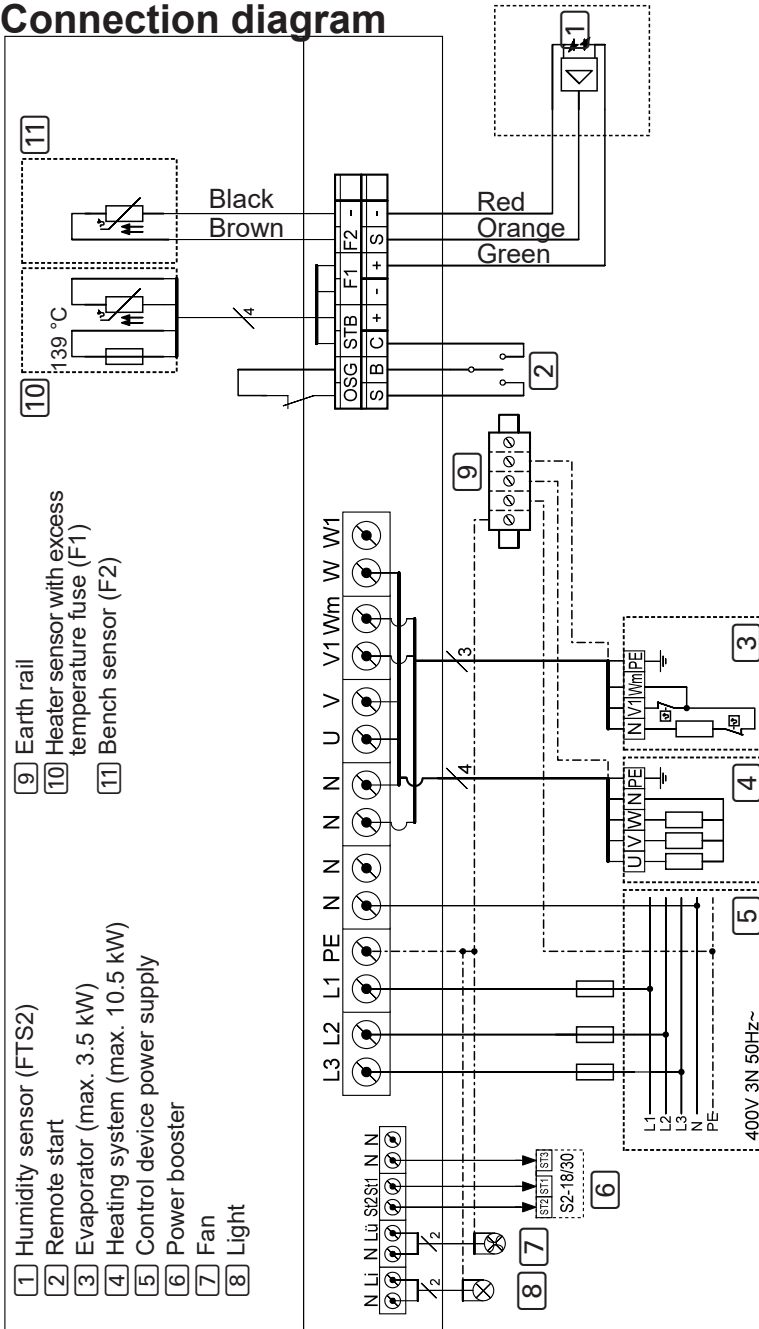
- NEVER touch live parts.

1. Check the contact of the earth conductors on the earth conductor terminal.
2. Check the excess temperature fuse on the heater sensor F1.
 - a. Switch on the sauna control unit.
 - b. Open the heater sensor and disconnect one of the two red wires for the heater sensor.
 - ▶ “Err” shows in the top display, “02” shows in the bottom display and the control unit switches off the heater.
 - c. Switch off the sauna control unit.
 - d. Reconnect the red wire for the heater sensor.
 - e. Now disconnect one of the white wires for the heater sensor.
 - f. Switch on the sauna control unit.
 - ▶ “Err” shows in the top display, “04F1” shows in the bottom display and the control unit switches off the heater.
 - g. Switch off the sauna control unit.
 - h. Reconnect the white wire for the heater sensor.
3. Check the phase circuit for sauna mode L1, L2, L3 is connected to U, V, W.
4. Check the phase circuit for evaporator mode L1, L2, L3 is connected to U, V1, W.

5. Check the maximum permissible heating output of 3.5 kW per phase on the sauna control unit.
6. When there is an optional power booster:
 - a. Check the control wires ST1, ST2 and ST3.
 - b. Check the maximum permissible heating output of 3 kW per phase on the power booster S2-18.
 - c. Check the maximum permissible heating output of 7 kW per phase on the power booster S2-18.

7. Connection diagram

Fig. 4 Connection diagram



8. Starting-up

The function selection switch in the low-voltage connection area allows a variety of product functions to be activated. The figure at the right shows the standard setting for the function selection switch.

Note that the control unit needs to be switched off for 10 seconds after making changes so that the settings are saved.

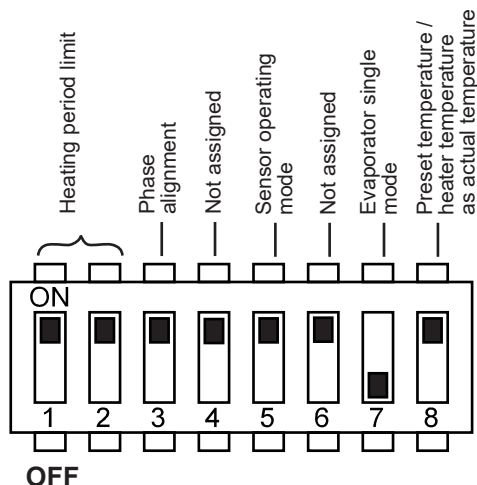


Fig. 5 Function selection switch – Standard setting

8.1. Setting the heating period limit

The maximum heating period is set to 6 hours as standard. The sauna control unit shuts down automatically after the maximum heating period for safety reasons.

The function selection switch in the low-voltage connection area allows the maximum heating period to be set to 12 hours, 18 hours or 24 hours. The required positions of the function selection switch can be found in the table on the right.

<i>Function selection switch</i>	1	2
6 hours	ON	ON
12 hours	OFF	ON
18 hours	ON	OFF
24 hours	OFF	OFF



The EN 60335-2-53 specifies a maximum heating period limit of 6 hours for private saunas. For saunas in hotels, apartment blocks and similar locations, a maximum heating period limit of 12 hours is permissible. Extending the heating period limit to 18 hours or 24 hours is only permitted in public saunas.

8.2. Activating/deactivating phase alignment

Phase alignment is activated or deactivated using the function selection switch **3**.

- The function selection switch **3** is set to the ON position as standard. Phase alignment is therefore activated.
- If you wish to deactivate phase alignment, place the function selection switch **3** in the OFF position.

8.3. Activating/deactivating the single-sensor mode

In single-sensor mode, the sauna control unit is operated with the heater sensor with an excess temperature fuse (F1) only. The single-sensor mode must be activated above the function selection switch **5**.

- The function selection switch **5** is set to the ON position as standard. Two-sensor mode is therefore activated.
- If you wish to deactivate single-sensor mode, place the function selection switch **5** in the OFF position.

8.4. Activating evaporator single mode

With the factory setting, the evaporator can only be operated together with the heating system. To operate the evaporator on its own without the heating system, evaporator single mode must be activated using the function selection switch **7**.

- The function selection switch **7** is set to the OFF position as standard. This means evaporator single mode is deactivated.
- If you wish to activate evaporator single mode, place the function selection switch **7** in the ON position.

8.5. Displaying the heater temperature in single-sensor mode

In single-sensor mode, the sauna control unit only displays the set temperature as standard. The actual temperature is not displayed. Should the sauna control unit display the temperature above the heater (F1) as an actual temperature in single-sensor mode, it must be activated with the function selection switch **8**.

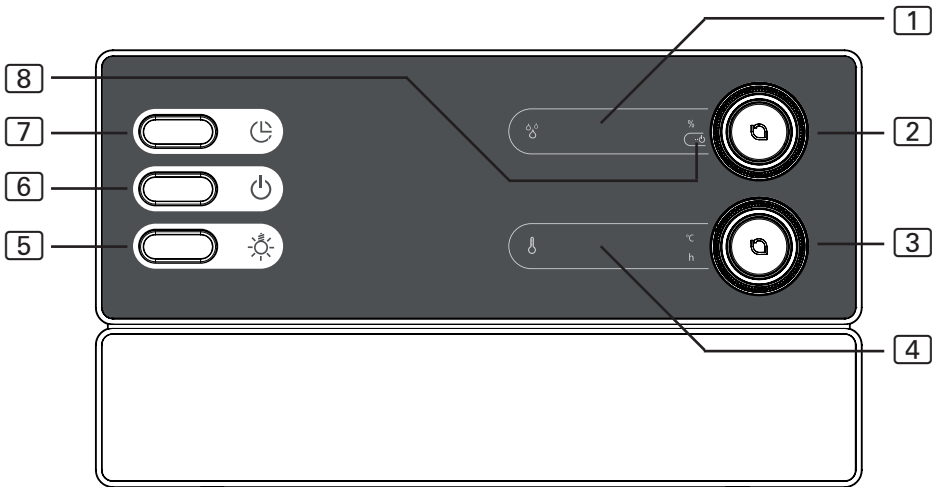
- The function selection switch **8** is set to the ON position as standard. Therefore only the set temperature is displayed.
- Should the temperature above the heater be displayed as an actual temperature, place the function selection switch **8** in the OFF position.



Ensure that the temperature above the heater is always higher than the temperature in the area of the bench seat. With the heater temperature as the actual temperature, the temperature displayed by the sauna control unit is higher than the temperature measured by your sauna room thermometer.

9. Operation

9.1. Operating elements



- | | |
|-------------------------------|---------------------------------|
| 1 humidity display | 5 Light switch |
| 2 humidity selector | 6 ON/OFF switch |
| 3 Temperature selector | 7 Preset time button |
| 4 Temperature display | 8 Remote start indicator |

9.2. Switching on the light

The light in the sauna room can be switched on and off independently of the ON/OFF switch **6**.

- To switch the light on or off on the power unit, press the light switch **5**.

9.3. Switching on the sauna control unit

**WARNING!*****Risk of fire***

Flammable objects that are placed on the sauna heater could ignite and cause fires.





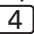
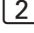
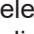
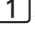


- NEVER place flammable objects on the sauna heater.
- Make sure that NO flammable objects have been placed on the sauna heater before the sauna control unit is switched on.

- Press the ON/OFF switch [6], to switch on the sauna control unit.
 - ▶ In the humidity display [1], “0” appears for a few seconds. Then the current humidity in the sauna room is displayed. If a humidity temperature sensor is not installed, the last preset humidity is displayed.
 - ▶ In the temperature display [4], “0” appears for a few seconds. Then the current temperature in the sauna room is displayed. In single-sensor mode, the previously set preset temperature is displayed.

9.4. Starting sauna mode

1. Use the temperature selector [3] to set the preferred temperature.
 - ▶ The temperature selector [3] flashes and the preset temperature is shown in the temperature display [4].
2. Press the temperature selector [3].
 - ▶ The sauna heater is switched on and begins to heat up.
 - ▶ Then the current temperature in the sauna room is displayed in the temperature display [4]. In single-sensor mode, the preset temperature is displayed.

9.5. Starting combi mode

1. Use the temperature selector  to set the preferred temperature.
 - ▶ The temperature selector  flashes and the preset temperature is shown in the temperature display .
2. Press the temperature selector .
- ▶ The sauna heater is switched on and begins to heat up.
- ▶ Then the current temperature in the sauna room is displayed in the temperature display . In single-sensor mode, the preset temperature is displayed.
3. Use the humidity selector  to set the preferred humidity.
 - ▶ The humidity selector  flashes and the preset temperature is shown in the humidity display .
4. Press the humidity selector .
- ▶ The evaporator switches on.
- ▶ Then the current temperature in the sauna room is displayed in the humidity display . If a humidity temperature sensor is not installed, the preset humidity is displayed.



If the sauna control unit is used without a humidity temperature sensor (FTS2), cycle mode is activated. If the sauna room temperature is less than 30 °C, the evaporator is activated continuously for 10 minutes. This ensures that the water in the tank reaches a basic temperature level. Cycle mode then starts.



The evaporator can only be started when the sauna heater is switched on. The maximum humidity level which can be set depends on the temperature of the sauna. The higher the sauna temperature, the lower the maximum humidity level which can be set.

Exception: Evaporator single mode is activated (see **8.4. Activating evaporator single mode on page 25**). The evaporator can also be operated here without the sauna heater, with the maximum humidity depending on the current sauna room temperature.

9.6. Changing the preset temperature

You can change the preset temperature during operation any time.

- Turn the temperature selector **3** to the right to increase the temperature.
Turn the temperature selector **3** to the left to decrease the temperature.
 - ▶ The temperature selector **3** flashes and the preset temperature is shown in the temperature display **4**.
 - ▶ Then the current temperature in the sauna room is displayed again in the temperature display **4**. In single-sensor mode, the preset temperature is displayed.

9.7. Changing the preset humidity

You can change the preset humidity during operation any time.

- Turn the humidity selector **2** to the right to increase the humidity.
Turn the humidity selector **2** to the left to decrease the humidity.
 - ▶ The humidity selector **2** flashes and the preset humidity is shown in the humidity display **1**.
 - ▶ Then the current humidity in the sauna room is displayed again in the humidity display **1**. If a humidity temperature sensor is not installed, the preset humidity is displayed.

9.8. Activating standby for remote operation

EN 60335-2-53 specifies that sauna control units with a remote start function must be set manually to “Standby for remote operation” mode. This activation must take place again after each remote start and stop procedure. To do so, perform the following steps:

1. Press the temperature selector **3** for three seconds (longpress).
 - ▶ The remote start indicator **8** starts flashing.
 - ▶ The sauna control unit is then ready to be started and stopped using a remote start signal.
 - ▶ After a remote start and stop, the remote start indicator goes out and the mode has to be activated again.

9.9. Setting the preset time



WARNING!

Risk of fire

Flammable objects that are placed on the heater will ignite and cause fires.

- NEVER place flammable objects on the sauna heater.
 - Make sure that NO flammable objects have been placed on the sauna heater before you activate the preset timer function.
-

You can set the preset time in 15 minute intervals. The maximum preset time totals 24 hours. The preset time is shown in hours and minutes, e.g. 8 hours and 15 minutes is shown as 8.15.

1. Start the sauna mode or the combi mode (see point **9.4** and **9.5**.)
2. Press the preset time button **7**.
 - ▶ The temperature selector **3** flashes and the previously set preset time is shown in the temperature display **4**.
3. Press the preset time button **7**, to increase the preset time in 15 minute intervals.
4. Once you have reached the required preset time, wait a few seconds.
 - ▶ The sauna control unit changes to standby mode and the timer starts running.
 - ▶ The temperature display **4** shows the remaining preset time and the temperature selector **3** flashes.
 - ▶ Once the preset time has elapsed, the selected mode is started.



The most recently selected preset time is saved, which means the last value can be recalled at the touch of a button. To reset the preset time to 00:00, press the preset time button for three seconds (longpress).

9.10. Cancelling the preset time function

- Press and hold down the preset time button **[7]** for three seconds (longpress) to cancel the preset time function.
 - ▶ The preset time countdown is cancelled.
 - ▶ Then the current temperature in the sauna room is displayed in the temperature display **[4]**. In single-sensor mode, the preset temperature is displayed.

9.11. Cancelling the post-drying programme

After the combi-mode, the post-drying programme is started automatically. This involves heating the sauna room to 80 °C with the fan running for 30 minutes. The text “dry” appears in the temperature display **[4]**.

- Press and hold down the temperature selector **[3]** for three seconds (longpress) to cancel the post-drying programme.



To prevent mould and rot from forming, the post-drying programme should NOT be cancelled.

EN

9.12. Saunabetrieb ausschalten

- Drücken Sie auf den Temperatur-Wähler **[3]**.
 - ▶ The sauna heater is switched off. After the combi-mode (min. 6 minutes), the post-drying programme is started automatically.

9.13. Switching off the sauna control unit

- Press the ON/OFF switch **[6]**, to switch off the sauna control unit.
 - ▶ The humidity display **[1]** and the temperature display **[4]** go out.
 - ▶ The sauna control unit is switched off.

10. Cleaning and maintenance

10.1. Cleaning

ATTENTION!***Damage to the unit***

The sauna control unit is protected against jets of water, however direct contact with water could still damage the unit.

- Never immerse the device in water.
 - Never pour water over the device.
 - Never clean the device with a cloth which is too wet.
-

1. Immerse a cleaning cloth in a mild, soapy solution.
2. Wring the cleaning cloth out well.
3. Wipe the sauna control unit housing carefully.

10.2. Maintenance

The sauna control unit is maintenance-free.

11. Disposal



- Please dispose of packaging materials in accordance with the applicable disposal regulations.
- Used devices contain reusable materials and hazardous substances. Therefore, do not dispose of your used device with household waste, but do so in accordance with the locally applicable regulations.

12. Troubleshooting

12.1. Error messages

The sauna control unit is equipped with diagnostic software which monitors system statuses when it switches on and during operation. As soon as the diagnostic software identifies an error, the sauna control unit switches the sauna heater off.

Errors are indicated by a recurring warning tone and by flashing on the humidity selector **[2]** and the temperature selector **[3]**. Furthermore, "Err" appears in the humidity display **[1]**. The error number appears in the temperature display **[4]**.

Switch the sauna control unit off using the ON/OFF switch **[6]** and rectify the error before switching the sauna control unit on again.

The following table describes the possible errors and their causes. If necessary, tell the error number to your customer service specialist.

<i>Error</i>	<i>Description</i>	<i>Cause / rectification</i>
01	Safety shut-off	An object has been placed on the sauna heater. Remove any objects before starting up the sauna heater again. If no safety shut-off is fitted, note 5.8. Connecting the safety shut-off on page 19.
02	Safety temperature limiter	The maximum temperature of 139 °C has been exceeded above the heater.
04F1	Heater sensor error	Defective heater sensor, poor contact, or short circuit.
06F2	Bench sensor error	Defective bench sensor, poor contact, or short circuit.
07	Humidity sensor error	Defective humidity sensor, poor contact, or short circuit

12.2. Low-water display

The sauna control unit features an automatic low-water shut-off feature which is active in combi mode, as long as your combi heater supports it.

If the water tank in the evaporator is empty, this is indicated by a recurring warning tone and the text **"FILL"** appears in the humidity display **1**. The evaporator switches on at the same time.

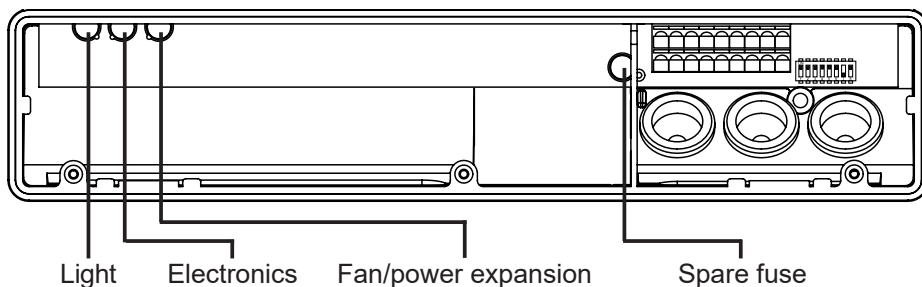
- Pour water into the water tank in the evaporator.
 - ▶ After a short period, the text "FILL" goes out and the evaporator starts heating up again.

12.3. Fuses

Fuses for light, fan/power expansion and electronics as well as a spare fuse are located in the sauna control unit's connection area.

These are 1A time delay micro fuses.

They can be ordered using the item number PRO-FUSE.



In order to replace the fuse, pull the fuse link straight out and insert the new fuse.

13. Technical data

Ambient conditions

Storage temperature:	-25 °C to +70 °C
Ambient temperature:	-10 °C to +40 °C
Relative humidity:	max. 95 %

Sauna control unit

Dimensions:	307 x 175 x 57 mm
Switched voltage / three-phase 3N:	400 V AC
Frequency:	50 Hz
Contact rating/heater:	3 x 3.5 kW
Switched current per phase/heater:	16 A
Contact rating/evaporator:	3.5 kW
Switched current/evaporator:	16 A
Rated voltage:	230 V
Protection type (protected against jets of water):	IPX4
Connection to the mains supply as fixed wiring (fixed connection)	

Light

Contact rating:	100 W
Fuse:	1A T

Fan

Contact rating:	100 W
Fuse:	1A T

Setting ranges

Temperature:	30 °C to 110 °C
Humidity:	0 % to 100 %

The maximum humidity level which can be set depends on the temperature of the sauna. The higher the sauna temperature, the lower the maximum humidity level which can be set.

Thermal safety

Heater sensor with excess temperature fuse (139 °C shut-off temperature)

Adjustable automatic heating period (6 h, 12 h, 18 h, 24 h)*

Optional single-sensor mode or two-sensor mode

Connection cables

Power supply cable: min. 5 x 2.5 mm²

Heater supply cable (temperature-resistant up to 150 °C): min 2.5 mm²

Sensor wires (temperature-resistant up to 150 °C): min 0.5 mm²

Light wire: min. 1.5 mm²

Fan wire: min. 1.5 mm²

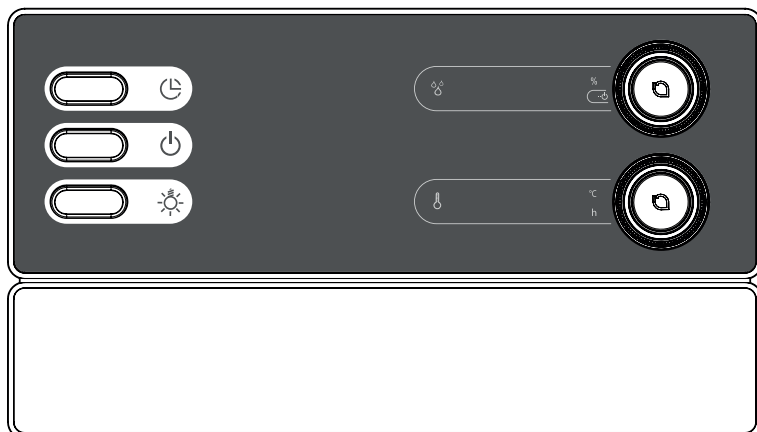
* EN 60335-2-53 specifies a heating time limitation of 6 h for saunas for private use. For saunas in hotels, apartment blocks and similar locations, a maximum heating period limit of 12 hours is permissible. Extending the heating period limit to 18 hours or 24 hours is only permitted in public saunas.

Saunasteuerung

Pro B3

PRO-B3

MONTAGE- UND GEBRAUCHSANWEISUNG
Deutsch



DE

Inhaltsverzeichnis

1. Zu dieser Anleitung	5
2. Wichtige Hinweise zu Ihrer Sicherheit	6
2.1. Bestimmungsgemäßer Gebrauch	6
2.2. Sicherheitshinweise für den Monteur	7
2.3. Sicherheitshinweise für den Anwender	8
3. Produktbeschreibung	9
3.1. Lieferumfang	9
3.2. Optionales Zubehör	9
3.3. Produktfunktionen	9
3.4. Sauna-Betriebsarten	10
3.5. Fühler-Betriebsarten	10
4. Montage	12
4.1. Saunasteuerung montieren	12
4.2. Ofenfühler F1 mit Übertemperatur-Sicherung montieren	14
4.3. Bankfühler F2 (optional) montieren	15
4.4. Feuchte-Temperaturfühler FTS2 (optional) montieren	15
5. Elektrischer Anschluss	16
5.1. Versorgungsleitung, Ofen und Verdampfer anschließen	17
5.2. Licht anschließen	17
5.3. Lüfter (optional) anschließen	18
5.4. Leistungserweiterung (optional) anschließen	18
5.5. Ofenfühler F1 anschließen	18
5.6. Bankfühler F2 (optional) anschließen	18
5.7. Feuchte-Temperaturfühler FTS2 (optional) anschließen	19
5.8. Sicherheitsabschaltung anschließen	19
5.9. Fernstart	20
5.10. Installation abschließen	20

6. Prüfungen durchführen	21
7. Anschlussplan	23
8. Inbetriebnahme	24
8.1. Heizzeitbegrenzung einstellen	24
8.2. Phasenrollierung aktivieren/deaktivieren	25
8.3. Ein-Fühlerbetrieb aktivieren/deaktivieren	25
8.4. Verdampfer-Single-Betrieb aktivieren	25
8.5. Ofentemperatur im Ein-Fühlerbetrieb anzeigen	26
9. Bedienung	27
9.1. Bedienelemente	27
9.2. Licht einschalten	27
9.3. Saunasteuerung einschalten	28
9.4. Sauna-Betrieb starten	28
9.5. Kombi-Betrieb starten	29
9.6. Soll-Temperatur ändern	30
9.7. Soll-Feuchte ändern	30
9.8. Standby für Fernwirken aktivieren	31
9.9. Vorwahlzeit einstellen	32
9.10. Vorwahlzeitfunktion abrechnen	33
9.11. Nachtrockenprogramm abrechnen	33
9.12. Saunabetrieb ausschalten	33
9.13. Saunasteuerung ausschalten	33
10. Reinigung und Wartung	34
10.1. Reinigung	34
10.2. Wartung	34

11. Entsorgung	34
12. Problemlösung	35
12.1. Fehlermeldungen	35
12.2. Wassermangelanzeige	36
12.3. Sicherungen	36
13. Technische Daten	37

1. Zu dieser Anleitung

Lesen Sie diese Montage- und Gebrauchsanweisung gut durch und bewahren Sie sie in der Nähe der Saunasteuerung auf. So können Sie jederzeit Informationen zu Ihrer Sicherheit und zur Bedienung nachlesen.



Sie finden diese Montage- und Gebrauchsanweisung auch im Downloadbereich unserer Webseite auf www.sentiotec.com/downloads.

Symbole in Warnhinweisen

In dieser Montage- und Gebrauchsanweisung ist vor Tätigkeiten, von denen eine Gefahr ausgeht, ein Warnhinweis angebracht. Befolgen Sie diese Warnhinweise unbedingt. So vermeiden Sie Sachschäden und Verletzungen, die im schlimmsten Fall sogar tödlich sein können.

In den Warnhinweisen werden Signalwörter verwendet, die folgende Bedeutungen haben:



GEFAHR!

Wenn Sie diesen Warnhinweis nicht beachten, sind Tod oder schwere Verletzungen die Folge.



WARNUNG!

Wenn Sie diesen Warnhinweis nicht beachten, können Tod oder schwere Verletzungen die Folge sein.



VORSICHT!

Wenn Sie diesen Warnhinweis nicht befolgen, können leichte Verletzungen die Folge sein.

ACHTUNG!

Dieses Signalwort warnt Sie vor Sachschäden.

Andere Symbole



Dieses Symbol kennzeichnet Tipps und nützliche Hinweise.

2. Wichtige Hinweise zu Ihrer Sicherheit

Die Saunasteuerung Pro B3 ist nach anerkannten sicherheitstechnischen Regeln gebaut. Dennoch können bei der Verwendung Gefahren entstehen. Befolgen Sie deshalb die folgenden Sicherheitshinweise und die speziellen Warnhinweise in den einzelnen Kapiteln. Beachten Sie auch die Sicherheitshinweise der angeschlossenen Geräte.

2.1. Bestimmungsgemäßer Gebrauch

Die Saunasteuerung Pro B3 dient ausschließlich zum Steuern und Regeln der Funktionen gemäß den technischen Daten.

Die Saunasteuerung Pro B3 darf nur zum Steuern und Regeln eines Saunaofens, der die Abdeckprüfung nach Absatz 19.101 der EN 60335-2-53 besteht, verwendet werden. Erfüllt der Ofen diese Voraussetzung nicht, muss eine entsprechende Sicherheitsvorkehrung getroffen werden (z. Bsp.: Sicherheitsabschaltung siehe **5.8** auf Seite **19**).

Die Saunasteuerung Pro B3 darf nur zum Steuern und Regeln von 3 Heizkreisen mit maximal 3,5 kW Heizleistung pro Heizkreis eingesetzt werden. Die maximale Verdampferleistung beträgt 3,5 kW.

Jeder darüber hinausgehende Gebrauch gilt als nicht bestimmungsgemäß. Nicht bestimmungsgemäßer Gebrauch kann zur Beschädigung des Produkts, zu schweren Verletzungen oder Tod führen.

2.2. Sicherheitshinweise für den Monteur

- Die Montage darf nur durch eine Elektrofachkraft oder eine vergleichsweise qualifizierte Person ausgeführt werden.
- Arbeiten an der Saunasteuerung dürfen nur im spannungsfreien Zustand durchgeführt werden.
- Es ist bauseits eine allpolige Trennvorrichtung mit voller Abschaltung entsprechend der Überspannungskategorie III vorzusehen.
- Die Saunasteuerung ist außerhalb der Saunakabine in ca. 1,70 m Höhe oder gemäß den Empfehlungen des Kabinenherstellers zu montieren. Die Umgebungstemperatur muss im Bereich von -10 °C und 40 °C liegen.
- Der Ofenfühler ist so anzubringen, dass er nicht durch einströmende Luft beeinflusst wird.
- Die Ofen-Zuleitung muss einen Querschnitt von mindestens 2,5 mm² aufweisen und bis 150 °C temperaturbeständig sein.
- Beachten Sie auch die örtlichen Bestimmungen am Aufstellort.
- Bei Problemen, die in den Montageanweisungen nicht ausführlich genug behandelt werden, wenden Sie sich zu Ihrer eigenen Sicherheit an Ihren Lieferanten.

2.3. Sicherheitshinweise für den Anwender

- Die Saunasteuerung darf nicht von Kindern unter 8 Jahren verwendet werden.
- Die Saunasteuerung darf von Kindern über 8 Jahren, von Personen mit verringerten psychischen, sensorischen oder mentalen Fähigkeiten und von Personen mit Mangel an Erfahrung und Wissen unter folgenden Bedingungen verwendet werden:
 - wenn sie beaufsichtigt werden
 - wenn ihnen die sichere Verwendung gezeigt wurde und sie die Gefahren, die entstehen können, verstehen.
- Kinder dürfen nicht mit der Saunasteuerung spielen.
- Kinder unter 14 Jahren dürfen die Saunasteuerung nur reinigen, wenn sie beaufsichtigt werden.
- Wenn Sie unter dem Einfluss von Alkohol, Medikamenten oder Drogen stehen, verzichten Sie aus gesundheitlichen Gründen auf das Saunabad.
- Stellen Sie sicher, dass keine brennbaren Gegenstände auf dem Saunaofen liegen, bevor Sie die Saunasteuerung einschalten.
- Stellen Sie sicher, dass keine brennbaren Gegenstände auf dem Saunaofen liegen, bevor Sie die Vorwahlzeitfunktion oder den Standby-Modus für den Fernstart aktivieren.
- Bei Problemen, die in der Gebrauchsanweisung nicht ausführlich genug behandelt werden, wenden Sie sich zu Ihrer eigenen Sicherheit an Ihren Lieferanten.

3. Produktbeschreibung

3.1. Lieferumfang

- Saunasteuerung
- Ofenfühler mit integrierter Übertemperatur-Sicherung
- Montagematerial
- Drahtbrücke zur Überbrückung der Klemmen **V1** und **Wm** für Kombiöfen ohne Wassermangel-Abschaltung

3.2. Optionales Zubehör

- Bankfühler (Artikelnummer: O-F2)
- Feuchte-Temperaturfühler (Artikelnummer: O-FTS2)
- Leistungserweiterung (Artikelnummer: O-S2-18 / O-S2-30)
- Sicherheitsabschaltung (Artikelnummer: SFE-xxxxx)
- Webserver pronet (Artikelnummer: PRO-NET)

3.3. Produktfunktionen

Die Saunasteuerung Pro B3 verfügt über folgende Funktionen:

- Regeln von Kombi-Saunaöfen mit einer Heizleistung bis 10,5 kW und einer Verdampferleistung bis 3,5 kW im Temperaturbereich von 30 °C bis 110 °C und einem Feuchtebereich von 5 bis 100 %.
- Mit einer Leistungserweiterung kann die maximale Schaltleistung von 10,5 kW auf 18 kW oder 30 kW erhöht werden.
- Fernstartfunktion
- Vorwahlzeitfunktion (bis 24 Stunden)
- Automatische Heizzeitbegrenzung
Die Saunasteuerung schaltet sich nach Ablauf der maximalen Heizzeit aus Sicherheitsgründen automatisch ab. Die maximale Heizzeit kann auf 6 h, 12 h, 18 h oder 24 h eingestellt werden.
- Nachtrockenprogramm
Nach dem Kombi-Betrieb wird automatisch das Nachtrockenprogramm gestartet, um Schimmel- und Fäulnisbildung in der Saunakabine zu verhindern. Dabei wird die Saunakabine bei eingeschaltetem Lüfter für 30 Minuten auf 80 °C aufgeheizt.

- **Übertemperatur-Sicherung**
Die Übertemperatur-Sicherung befindet sich im Fühlergehäuse des Ofenfühlers. Wenn der Saunaofen durch einen Defekt nach Erreichen der Wunschtemperatur weiterheizt, schaltet die Übertemperatur-Sicherung bei ca. 139 °C den Saunaofen automatisch ab.

3.4. Sauna-Betriebsarten

Die Saunasteuerung Pro B3 ermöglicht zwei Betriebsarten, Sauna- und Kombi-Betrieb.

Sauna-Betrieb

Im Sauna-Betrieb steht trockene Wärme zur Verfügung. Die Temperatur in der Kabine ist hoch (80 bis 100 °C). Die Feuchtwerte sind mit maximal 10 % gering.

Kombi-Betrieb

Im Kombi-Betrieb ist neben dem Saunaofen auch der Verdampfer im Betrieb. Die Temperatur in der Saunakabine ist niedriger (ca. 40 bis 65 °C) als im Sauna-Betrieb, dafür ist die relative Luftfeuchte mit 35 % bis ungefähr 70 % wesentlich höher. Dabei ist die maximal einstellbare Soll-Feuchte von der Saunatemperatur abhängig. Je höher die Saunatemperatur, desto niedriger ist der maximal einstellbare Feuchtwert.

3.5. Fühler-Betriebsarten

Die Saunasteuerung kann mit einem oder mit zwei Fühlern betrieben werden. Als zweiter Fühler kann ein Temperaturfühler (Bankfühler, F2) oder ein Feuchte-Temperaturfühler (FTS2) verwendet werden.

Ein-Fühlerbetrieb (F1)

Der Ein-Fühlerbetrieb muss bei der Inbetriebnahme aktiviert werden (siehe **8.4. Ein-Fühlerbetrieb aktivieren/deaktivieren** auf Seite **25**).

Im Ein-Fühlerbetrieb wird die Saunasteuerung nur mit dem Ofenfühler mit Übertemperatur-Sicherung (F1) betrieben. Dieser ist im Lieferumfang enthalten.

Im Ein-Fühlerbetrieb zeigt die Saunasteuerung standardmäßig nur die Soll-Temperatur an. Die Ist-Temperatur wird nicht angezeigt. Wenn die Saunasteuerung im Ein-Fühlerbetrieb die Temperatur über dem Ofen (F1-Fühler) als Ist-Temperatur anzeigen soll, muss dies bei der Inbetriebnahme aktiviert werden (siehe **8.5. Ofentemperatur im Einfühlerbetrieb anzeigen** auf Seite **26**).

Der maximal einstellbare Feuchtwert richtet sich nach der Temperatur über dem Ofen und die Feuchte wird getaktet. Im Display der Saunasteuerung wird nur der Sollwert für die Feuchte (in % relative Luftfeuchtigkeit) angezeigt. Die tatsächliche Feuchte in der Saunakabine ist bei getakteter Feuchte abhängig von der Kabinengröße und der Verdampferleistung und kann vom eingestellten Sollwert abweichen.

Zwei-Fühlerbetrieb mit Bankfühler (F2)

Im Zwei-Fühlerbetrieb mit Bankfühler wird ein zweiter Temperaturfühler (Bankfühler) oberhalb der hinteren Saunabank montiert. Die Saunasteuerung zeigt als Ist-Temperatur jene Temperatur an, die vom Bankfühler gemessen wird.

Im Zwei-Fühlerbetrieb mit Bankfühler wird die Feuchte getaktet. Im Display der Saunasteuerung wird nur der Sollwert für die Feuchte (in % relative Luftfeuchtigkeit) angezeigt. Die tatsächliche Feuchte in der Saunakabine ist bei getakteter Feuchte abhängig von der Kabinengröße und der Verdampferleistung und kann vom eingestellten Sollwert abweichen.

Zwei-Fühlerbetrieb mit Feuchte-Temperaturfühler (FTS2)

Wenn im Zwei-Fühlerbetrieb ein Feuchte-Temperaturfühler verwendet wird, zeigt die Saunasteuerung als Ist-Temperatur jene Temperatur an, die vom Feuchte-Temperaturfühler gemessen wird.

Im Zwei-Fühlerbetrieb mit Feuchte-Temperaturfühler wird der Verdampfer entsprechend der in der Kabine gemessenen Feuchte geregelt. Im Display der Saunasteuerung wird die tatsächliche Feuchte in der Saunakabine (in % relative Luftfeuchtigkeit) angezeigt.

4. Montage

4.1. Saunasteuerung montieren

ACHTUNG!**Schäden am Gerät**

Die Saunasteuerung ist spritzwassergeschützt, trotzdem kann direkter Kontakt mit Wasser das Gerät beschädigen.

- Montieren Sie die Saunasteuerung an einem trockenen Ort, an dem eine maximale Luftfeuchte von 95% nicht überschritten wird.

ACHTUNG!**Störquellen beeinträchtigen die Signalübertragung**

- Verlegen Sie alle Fühlerleitungen getrennt zu anderen Netzleitungen und Steuerleitungen.
- Schützen Sie einfach isolierte Leitungen durch ein Rohr (Doppelsonnenisolation).

Beachten Sie bei der Montage der Saunasteuerung folgende Punkte:

- Die Saunasteuerung ist außerhalb der Saunakabine oder gemäß den Empfehlungen des Kabinenherstellers zu montieren.
- Die Umgebungstemperatur muss im Bereich von -10 °C und +40 °C liegen.
- Alle Fühler dürfen nur mit den beiliegenden Fühlerleitungen, die bis 150 °C temperaturbeständig sind, angeschlossen werden.



Die Fühlerleitungen dürfen unter folgenden Bedingungen verlängert werden:

- Verwendung einer bis 150 °C beständigen Silikonleitung.
 - Der Mindestquerschnitt der Leitung beträgt 0,5 mm².
 - Die Länge der Ofenföhler-Leitungen darf 10 m NICHT überschreiten.
-

Zur Montage der Saunasteuerung führen Sie folgende Schritte durch:

1. Drehen Sie zwei Kreuzschlitzschrauben (16 mm) in ca. 1,70 m Höhe bis zu einem Abstand von 7 mm in die Saunawand ein. Die beiden Schrauben müssen einen Abstand von 145 mm zueinander haben (siehe **Abb.1**).

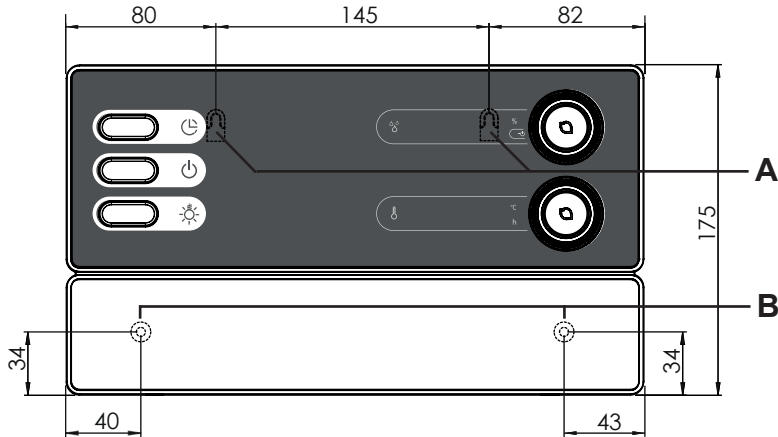


Abb.1 Position der Aufhängevorrichtung und der Montageöffnungen (Maße in mm)

DE

2. Drücken Sie die Schnappverschlüsse **C** mit einem Schraubendreher leicht ein und nehmen Sie den Gehäusedeckel ab (siehe **Abb.2**).
3. Hängen Sie die Saunasteuerung mit Hilfe der Aufhängevorrichtung **A** auf die montierten Kreuzschlitzschrauben (siehe **Abb.1**).
4. Drehen Sie zwei Kreuzschlitzschrauben (16 mm) in die unteren Befestigungsöffnungen **B** ein (siehe **Abb.1**).

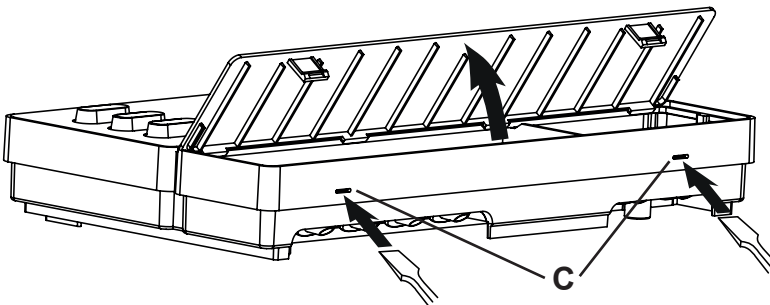


Abb.2 Abnahme des Gehäusedeckels

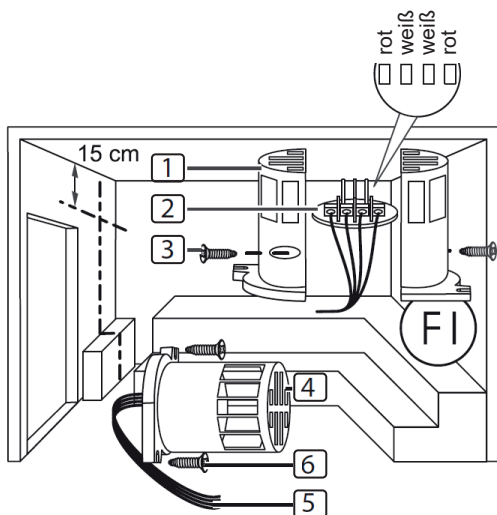
4.2. Ofenfühler F1 mit Übertemperatur-Sicherung montieren

Beachten Sie bei der Montage des Ofenfühlers folgende Punkte:

- Der Ofenfühler ist an der Ofen-Rückwand oberhalb der Mitte des Saunaofens zu montieren. Dabei ist ein Abstand von zirka 15 cm zur Kabinendecke einzuhalten.
- Der Ofenfühler ist so anzubringen, dass er nicht durch einströmende Luft beeinflusst wird.

Zur Montage des Ofenfühlers führen Sie folgende Schritte durch (siehe **Abb.3**):

1. Verlegen Sie die beiden 2-poligen Ofenfühler-Leitungen in der Wand der Saunakabine zum Montageort des Ofenfühlers und fixieren Sie die Ofenfühler-Leitungen mit Leitungsschellen.
2. Ziehen Sie die beiden Halbschalen **1** des Ofenfühlers auseinander.
3. Klemmen Sie die vier Anschlüsse der Ofenfühler-Leitung **5** gemäß der **Abb.3** an.
4. Legen Sie die Anschlussplatte **2** quer (wie in **Abb.3** gezeigt) in die Halbschalen des Ofenfühlers.
5. Schließen Sie die Halbschalen, verschrauben Sie diese mit den beiden Kreuzschlitzschrauben **3** (9 mm) und prüfen Sie, ob der Ofenfühler fest geschlossen ist.
6. Montieren Sie den Ofenfühler an der Ofen-Rückwand mit den beiden beiliegenden Holzschrauben **6** (16 mm).



- 1** Halbschalen des Ofenfühlers
- 2** Anschlussplatte
- 3** Kreuzschlitzschrauben (9 mm)
- 4** Ofenfühler
- 5** Ofenfühler-Leitungen
- 6** Holzschrauben (16 mm)

Abb.3 Montage des Ofenfühlers

4.3. Bankfühler F2 (optional) montieren

Der Bankfühler ist an der Kabinenwand oberhalb der hinteren Sitzbank zu montieren. Dabei ist ein Abstand von zirka 15 cm zur Kabinendecke einzuhalten.

Zur Montage des Bankfühlers führen Sie folgende Schritte durch:

1. Verlegen Sie die 2-polige Bankfühler-Leitung in der Wand der Saunakabine zum Montageort des Bankfühlers und fixieren Sie die Bankfühler-Leitungen mit Leitungsschellen.
2. Ziehen Sie die beiden Halbschalen des Bankfühlers auseinander.
3. Klemmen Sie die beiden Anschlüsse der Bankfühler-Leitung an die beiden mittleren Klemmen der Anschlussplatte an.
4. Legen Sie die Anschlussplatte quer in die Halbschalen des Bankfühlers.
5. Schließen Sie die Halbschalen und verschrauben Sie diese mit den beiden Kreuzschlitzschrauben (9 mm).
6. Prüfen Sie, ob der Bankfühler fest geschlossen ist.
7. Montieren Sie den Bankfühler an der Kabinenwand mit den beiden beiliegenden Holzschrauben (16 mm). Halten Sie dabei einen Abstand von 15 cm zur Kabinendecke ein.

4.4. Feuchte-Temperaturfühler FTS2 (optional) montieren

Der Feuchte-Temperaturfühler ist an der Kabinenwand oberhalb der hinteren Sitzbank zu montieren. Dabei ist ein Abstand von zirka 15 cm zur Kabinendecke einzuhalten.

Zur Montage des Feuchte-Temperaturfühlers führen Sie folgende Schritte durch:

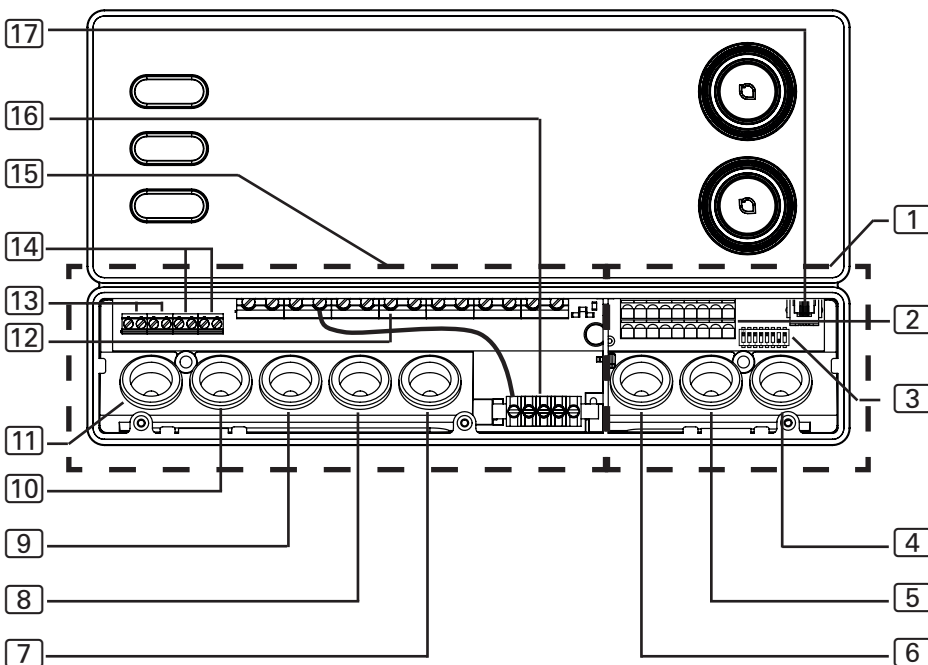
1. Verlegen Sie die 5-polige Fühlerleitung in der Wand der Saunakabine zum Montageort des Feuchte-Temperaturfühlers und fixieren Sie die Fühler-Leitungen mit Leitungsschellen.
2. Montieren Sie den Feuchte-Temperaturfühler an der Kabinenwand mit den beiden beiliegenden Holzschrauben (16 mm). Halten Sie dabei einen Abstand von 15 cm zur Kabinendecke ein.

5. Elektrischer Anschluss

ACHTUNG!

Schäden am Gerät

- Die Saunasteuerung darf nur zum Steuern und Regeln von 3 Heizkreisen mit einer Heizleistung von max. 3,5 kW pro Heizkreis eingesetzt werden. Die maximale Verdampferleistung beträgt 3,5 kW.



- | | |
|---|---|
| 1 Anschlussbereich für Kleinspannung | 9 Kabeldurchführung für Versorgungsleitung |
| 2 Klemmleiste für Sicherheitsabschaltung, Fernstart und Fühlerleitungen | 10 Kabeldurchführung für Leistungserweiterung |
| 3 Funktionswahlschalter | 11 Kabeldurchführung für Licht und Lüfter |
| 4 Kabeldurchführung für F2- und FTS2-Fühler | 12 Klemmleiste für Ofen- und Verdampfer- und Versorgungsleitung |
| 5 Kabeldurchführung für F1-Fühler | 13 Klemmleiste für Licht und Lüfter |
| 6 Kabeldurchführung für Sicherheitsabschaltung und Fernstart | 14 Klemmleiste für Leistungserweiterung |
| 7 Kabeldurchführung für Verdampferleitung | 15 Anschlussbereich für 230 V / 400 V |
| 8 Kabeldurchführung für Ofenleitung | 16 Erdungsschiene |
| | 17 RJ45-Buchse für RS-485 und pronet |

Beachten Sie beim elektrischen Anschluss der Saunasteuerung folgende Punkte:

- Die Montage darf nur durch eine Elektrofachkraft oder eine vergleichsweise qualifizierte Person ausgeführt werden.



Bitte beachten Sie, dass im Falle eines Garantieanspruches eine Kopie der Rechnung des ausführenden Elektrofachbetriebes vorzulegen ist.

- Arbeiten an der Saunasteuerung dürfen nur im spannungsfreien Zustand durchgeführt werden.
- Die elektrische Versorgung muss als Festanschluss erfolgen.
- Es ist bauseits eine allpolige Trennvorrichtung mit voller Abschaltung entsprechend der Überspannungskategorie III vorzusehen.
- Beachten Sie den Anschlussplan (**Abb.4**) auf Seite **23**.

5.1. Versorgungsleitung, Ofen und Verdampfer anschließen

1. Führen Sie die Versorgungs-, die Ofen- und die Verdampferleitung durch die Kabeldurchführungen **9**, **8**, **7** in den Anschlussbereich für 230 V / 400 V **15**.
2. Schließen Sie die Anschlussleitungen gemäß dem Anschlussplan an die Klemmleiste **12** an. Beachten Sie dabei die Bedienungsanleitung der jeweiligen Geräte.
3. Wenn der Verdampfer nicht über eine automatische Wassermangel-Abschaltung verfügt, führen Sie zusätzlich folgenden Schritt durch:
 - Verbinden Sie mit der beiliegenden Drahtbrücke die Klemme "**V1**" mit der Klemme "**Wm**".

5.2. Licht anschließen

1. Führen Sie die Lichtleitung durch die Kabeldurchführung **11** in den Anschlussbereich für 230 V / 400 V **15**.
2. Schließen Sie die Lichtleitung gemäß dem Anschlussplan an die Klemmleiste **13** an. Beachten Sie dabei die Bedienungsanleitung des jeweiligen Geräts.

5.3. Lüfter (optional) anschließen

1. Führen Sie die Lüfterleitung durch die Kabeldurchführung **(11)** in den Anschlussbereich für 230 V / 400 V **(15)**.
2. Schließen Sie die Lüfterleitung gemäß dem Anschlussplan an die Klemmleiste **(13)** an. Beachten Sie dabei die Bedienungsanleitung des jeweiligen Geräts.

5.4. Leistungserweiterung (optional) anschließen

1. Führen Sie die Leitung der Leistungserweiterung durch die Kabeldurchführung **(10)** in den Anschlussbereich für 230 V / 400 V **(15)**.
2. Schließen Sie die Leitung der Leistungserweiterung gemäß dem Anschlussplan an die Klemmleiste **(14)** an. Verwenden Sie dabei die Klemme **"ST1"** für den Sicherheitskreis und die Klemme **"ST2"** für den Steuerkreis. Beachten Sie die Bedienungsanleitung des jeweiligen Geräts.

5.5. Ofenfühler F1 anschließen

1. Führen Sie die Ofenfühler-Leitungen durch die Kabeldurchführung **(5)** in den Anschlussbereich für Kleinspannung **(1)**.
2. Schließen Sie die roten Ofenfühler-Leitungen an die Klemmen mit der Beschriftung **"STB"** in der Klemmleiste **(2)** an.
3. Schließen Sie die weißen Ofenfühler-Leitungen an die Klemmen mit der Beschriftung **"F1"** in der Klemmleiste **(2)** an.

5.6. Bankfühler F2 (optional) anschließen

1. Führen Sie die Bankfühler-Leitungen durch die Kabeldurchführung **(4)** in den Anschlussbereich für Kleinspannung **(1)**.
2. Schließen Sie die Bankfühler-Leitungen an die Klemmen mit der Beschriftung **"F2"** in der Klemmleiste **(2)** an.

5.7. Feuchte-Temperaturfühler FTS2 (optional) anschließen

1. Führen Sie die Fühlerleitungen durch die Kabeldurchführung **[4]** in den Anschlussbereich für Kleinspannung **[1]**.
2. Schließen Sie die Temperaturfühler-Leitungen an die Klemmen mit der Beschriftung "**F2**" in der Klemmleiste **[2]** an.
 - a. Schließen Sie die schwarze Leitung an die rechte Klemme an.
 - b. Schließen Sie die braune Leitung an die linke Klemme an.
3. Schließen Sie die Feuchtefühler-Leitungen an die Klemmen mit der Beschriftung "**+ S -**" in der Klemmleiste **[2]** an.
 - c. Schließen Sie die grüne Leitung an Klemme "**+**" an.
 - d. Schließen Sie die orange Leitung an Klemme "**S**" an.
 - e. Schließen Sie die rote Leitung an Klemme "**-**" an.

5.8. Sicherheitsabschaltung anschließen

Laut EN 60335-2-53 dürfen Saunasteuerungen mit Fernwirken nur zum Steuern und Reglen eines Saunaofens, der die Abdeckprüfung nach Absatz 19.101 besteht, verwendet werden. Alternativ kann eine entsprechende Sicherheitsabschaltung im oder über dem Ofen installiert werden. Diese schaltet den Saunaofen ab, wenn Gegenstände, z.B. ein Handtuch, auf dem Saunaofen abgelegt werden.

DE

Zur Montage der Sicherheitsabschaltung führen Sie folgende Schritte durch:

1. Montieren Sie die Sicherheitsabschaltung entsprechend der Bedienungsanleitung des Geräts.
2. Führen Sie die Leitungen der Sicherheitsabschaltung durch die Kabeldurchführung **[6]** in den Anschlussbereich für Kleinspannung **[1]**.
3. Schließen Sie die Leitungen an die Klemmen mit der Beschriftung "**OSG**" in der Klemmleiste **[2]** an.




Wird keine Sicherheitsabschaltung montiert, muss eine Drahtbrücke an den Klemmen mit der Beschriftung „**OSG**“ montiert werden.

5.9. Fernstart

Der Anschluss erfolgt über die Klemmen "S", "B" und "C". "S" steht für den Sauna-Betrieb und "C" für den Verdampfer-Betrieb. "B" ist ein +24 V DC Ausgang. Dieser muss über einen Schalter oder einen Aktuator auf die Klemme für die gewünschte Betriebsart geschaltet werden.

5.10. Installation abschließen

1. Schließen Sie die Schutzleiter der Versorgungsleitung und aller Geräte an die Erdungsschiene  an.
2. Setzen Sie den Gehäusedeckel an den oberen Rand der Anschlussbox.
3. Drücken Sie die Schnappverschlüsse leicht nach innen und schwenken Sie die Gehäuseabdeckung nach unten bis sie hörbar einrastet.

6. Prüfungen durchführen

Die folgenden Prüfungen müssen von einem zugelassenen Elektroinstallateur durchgeführt werden.



WARNUNG!

Die folgenden Prüfungen werden bei eingeschalteter Stromversorgung durchgeführt. Es besteht die Gefahr eines Stromschlages.

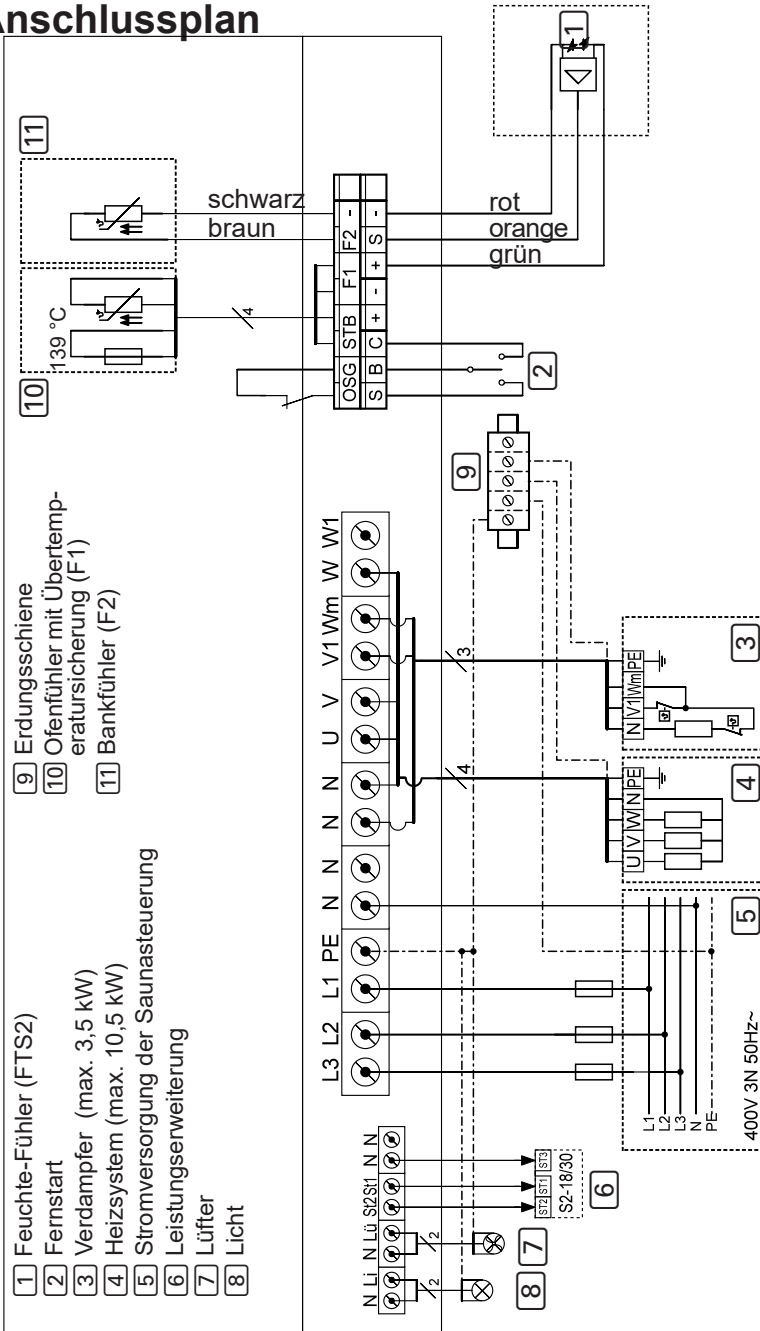
- Berühren Sie NIEMALS spannungsführende Teile.

1. Prüfen Sie den Kontakt der Erdungsleitungen an der Schutzleiterklemme.
2. Prüfen Sie die Übertemperatur-Sicherung des Ofenfühlers F1.
 - a. Schalten Sie die Saunasteuerung ein.
 - b. Öffnen Sie den Ofenfühler und klemmen Sie eine der beiden roten Ofenfühler-Leitungen ab.
 - ▶ Im oberen Display wird "Err" angezeigt, im unteren Display "02" und die Steuerung schaltet den Ofen ab.
 - c. Schalten Sie die Saunasteuerung aus.
 - d. Klemmen Sie die rote Ofenfühler-Leitung wieder an.
 - e. Klemmen Sie nun eine der weißen Ofenfühler-Leitungen ab.
 - f. Schalten Sie die Saunasteuerung ein.
 - ▶ Im oberen Display wird "Err" angezeigt, im unteren Display "04F1" und die Steuerung schaltet den Ofen ab.
 - g. Schalten Sie die Saunasteuerung aus.
 - h. Klemmen Sie die weiße Ofenfühler-Leitung wieder an.
3. Prüfen Sie die Phasendurchschaltung für den Sauna-Betrieb L1, L2, L3 zu U, V, W.
4. Prüfen Sie die Phasendurchschaltung für Verdampfer-Betrieb L1, L2, L3 zu U, V1, W.

5. Überprüfen Sie die maximal zulässige Heizleistung an der Saunasteuerung von 3,5 kW je Phase.
6. Bei optionaler Leistungserweiterung
 - a. Prüfen Sie die Steuerleitungen ST1, ST2 und ST3.
 - b. Überprüfen Sie die maximal zulässige Heizleistung an der Leistungserweiterung S2-18 von 3 kW je Phase.
 - c. Überprüfen Sie die maximal zulässige Heizleistung an der Leistungserweiterung S2-30 von 7 kW je Phase.

7. Anschlussplan

Abb.4 Anschlussplan



8. Inbetriebnahme

Über die Funktionswahlschalter im Anschlussbereich für Kleinspannung können verschiedene Produktfunktionen aktiviert werden. Die Abbildung rechts zeigt die Standardeinstellung der Funktionswahlschalter.

Beachten Sie, dass nach Änderungen die Steuerung für 10 Sek. ausgeschaltet werden muss, um die Einstellungen zu speichern.

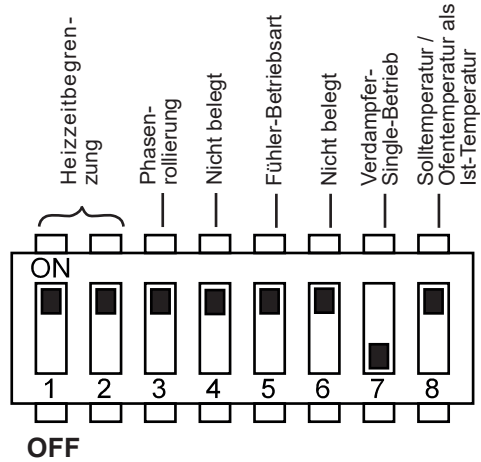


Abb.5 Funktionswahlschalter - Standardeinstellung

8.1. Heizzeitbegrenzung einstellen

Die maximale Heizzeit ist standardmäßig auf 6 h eingestellt. Die Saunasteuerung schaltet sich nach Ablauf der maximalen Heizzeit aus Sicherheitsgründen automatisch ab.

Über die Funktionswahlschalter im Anschlussbereich für Kleinspannung kann die maximale Heizdauer auf 12 h, 18 h oder 24 h eingestellt werden. Die dafür erforderlichen Positionen der Funktionswahlschalter finden Sie in der Tabelle rechts.

<i>Funktionswahlschalter</i>	1	2
6 h	ON	ON
12 h	OFF	ON
18 h	ON	OFF
24 h	OFF	OFF



Die EN 60335-2-53 schreibt für private Saunen eine maximale Heizzeitbegrenzung von 6 h vor. Für Saunen in Hotels, Wohnblöcken und ähnlichen Standorten ist eine Heizzeitbegrenzung von maximal 12 h zulässig. Die Erweiterung der Heizzeitbegrenzung auf 18 h oder 24 h ist nur in öffentlichen Saunen gestattet.

8.2. Phasenrollierung aktivieren/deaktivieren

Die Phasenrollierung wird mit dem Funktionswahlschalter **3** aktiviert bzw. deaktiviert.

- Standardmäßig befindet sich der Funktionswahlschalter **3** in ON-Position. Die Phasenrollierung ist damit aktiviert.
- Wenn Sie die Phasenrollierung deaktivieren möchten, bringen Sie den Funktionswahlschalter **3** in die OFF-Position.

8.3. Ein-Fühlerbetrieb aktivieren/deaktivieren

Im Ein-Fühlerbetrieb wird die Saunasteuerung nur mit dem Ofenfühler mit Über-temperatur-Sicherung (F1-Fühler) betrieben. Der Ein-Fühlerbetrieb muss über den Funktionswahlschalter **5** aktiviert werden.

- Standardmäßig befindet sich der Funktionswahlschalter **5** in ON-Position. Der Zwei-Fühlerbetrieb ist damit aktiviert.
- Wenn Sie den Ein-Fühlerbetrieb aktivieren möchten, bringen Sie den Funktionswahlschalter **5** in die OFF-Position.

8.4. Verdampfer-Single-Betrieb aktivieren

Werkseitig lässt sich der Verdampfer nur gemeinsam mit dem Heizsystem in Betrieb nehmen. Um den Verdampfer alleine ohne Heizsystem betreiben zu können, muss der Verdampfer-Single-Betrieb über den Funktionswahlschalter **7** aktiviert werden.

- Standardmäßig befindet sich der Funktionswahlschalter **7** in OFF-Position. Der Verdampfer-Single-Betrieb ist damit deaktiviert.
- Wenn Sie den Verdampfer-Single-Betrieb aktivieren möchten, bringen Sie den Funktionswahlschalter **7** in die ON-Position.

8.5. Ofentemperatur im Ein-Fühlerbetrieb anzeigen

Im Ein-Fühlerbetrieb zeigt die Saunasteuerung standardmäßig nur die Soll-Temperatur an. Die Ist-Temperatur wird nicht angezeigt. Wenn die Saunasteuerung im Ein-Fühlerbetrieb die Temperatur über dem Ofen (F1-Fühler) als Ist-Temperatur anzeigen soll, muss dies mit dem Funktionswahlschalter **8** aktiviert werden.

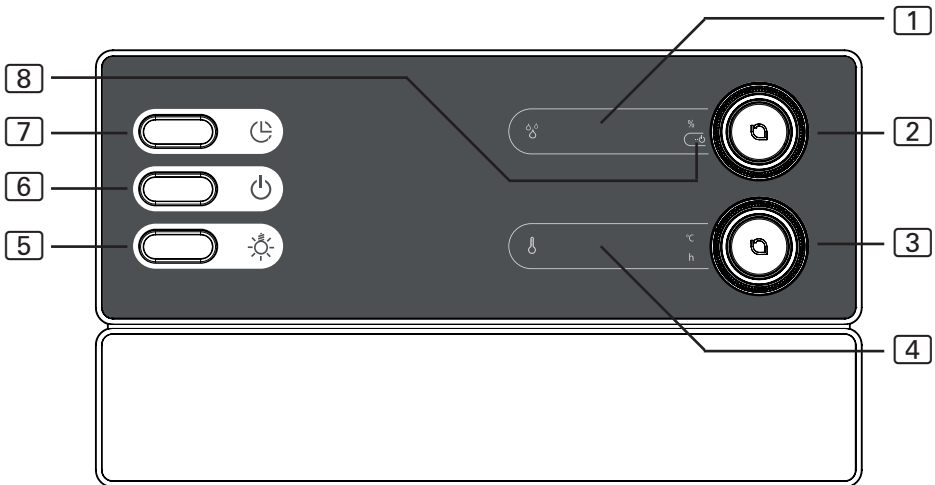
- Standardmäßig befindet sich der Funktionswahlschalter **8** in ON-Position. Damit wird nur die Solltemperatur angezeigt.
- Wenn die Temperatur über dem Ofen als Ist-Temperatur angezeigt werden soll, bringen Sie den Funktionswahlschalter **8** in die OFF-Position.



Bitte beachten Sie, dass die Temperatur über dem Ofen immer höher ist, als die Temperatur im Bereich der Sitzbänke. Mit der Ofentemperatur als Ist-Temperatur, wird die Temperatur, die die Saunasteuerung anzeigt, höher sein als die Temperatur, die Ihr Kabinenthermometer misst.

9. Bedienung

9.1. Bedienelemente



1 Feuchte-Anzeige

2 Feuchte-Wähler

3 Temperatur-Wähler

4 Temperatur-Anzeige

5 Lichtschalter

6 EIN/AUS-Schalter

7 Vorwahlzeit-Taster

8 Fernstart-Anzeige

DE

9.2. Licht einschalten

Das Licht in der Saunakabine kann unabhängig vom EIN/AUS-Schalter **6** eingeschaltet und ausgeschaltet werden.

- Um das Licht einzuschalten bzw. auszuschalten, drücken Sie den Lichtschalter **5**.

9.3. Saunasteuerung einschalten

**WARNUNG!****Brandgefahr**

Brennbare Gegenstände, die auf dem heißen Saunaofen liegen, können sich entzünden und Brände verursachen.

- Legen Sie NIEMALS brennbare Gegenstände auf den Saunaofen.
- Stellen Sie sicher, dass KEINE brennbaren Gegenstände auf dem Saunaofen liegen, bevor Sie die Saunasteuerung einschalten.

- Drücken Sie den EIN/AUS-Schalter **[6]**, um die Saunasteuerung einzuschalten.
 - ▶ In der Feuchte-Anzeige **[1]** erscheint für einige Sekunden "0". Anschließend wird die aktuelle Feuchte in der Kabine angezeigt. Wenn kein Feuchte-Temperaturfühler installiert ist, wird die zuletzt eingestellte Soll-Feuchte angezeigt.
 - ▶ In der Temperatur-Anzeige **[4]** erscheint für einige Sekunden "0". Anschließend wird die aktuelle Temperatur in der Kabine angezeigt. Im Ein-Fühlerbetrieb wird die zuletzt eingestellte Soll-Temperatur angezeigt.

9.4. Sauna-Betrieb starten

1. Stellen Sie mit dem Temperatur-Wähler **[3]** die gewünschte Temperatur ein.
 - ▶ Der Temperatur-Wähler **[3]** blinkt und die eingestellte Soll-Temperatur wird in der Temperatur-Anzeige **[4]** angezeigt.
2. Drücken Sie auf den Temperatur-Wähler **[3]**.
 - ▶ Der Saunaofen wird eingeschaltet und beginnt zu heizen.
 - ▶ In der Temperatur-Anzeige **[4]** wird die aktuelle Temperatur in der Kabine angezeigt. Im Ein-Fühlerbetrieb wird die Soll-Temperatur angezeigt.

9.5. Kombi-Betrieb starten

1. Stellen Sie mit dem Temperatur-Wähler **3** die gewünschte Temperatur ein.
 - ▶ Der Temperatur-Wähler **3** blinkt und die eingestellte Soll-Temperatur wird in der Temperatur-Anzeige **4** angezeigt.
2. Drücken Sie auf den Temperatur-Wähler **3**.
 - ▶ Der Saunaofen wird eingeschaltet und beginnt zu heizen.
 - ▶ In der Temperatur-Anzeige **4** wird die aktuelle Temperatur in der Kabine angezeigt. Im Ein-Fühlerbetrieb wird die Soll-Temperatur angezeigt.
3. Stellen Sie mit dem Feuchte-Wähler **2** die gewünschte Feuchte ein.
 - ▶ Der Feuchte-Wähler **2** blinkt und die eingestellte Soll-Feuchte wird in der Feuchte-Anzeige **1** angezeigt.
4. Drücken Sie auf den Feuchte-Wähler **2**.
 - ▶ Der Verdampfer wird eingeschaltet.
 - ▶ In der Feuchte-Anzeige **1** wird die aktuelle Feuchte in der Kabine angezeigt. Wenn kein Feuchte-Temperaturfühler installiert ist, wird die Soll-Feuchte angezeigt.



Wird die Saunasteuerung ohne Feuchte-Temperaturfühler (FTS2) verwendet, ist der Taktbetrieb aktiviert. Befindet sich die Kabinentemperatur unter 30° C, wird der Verdampfer für 10 Minuten durchgehend eingeschalten. Dies sorgt dafür, dass das Wasser im Tank eine Grund-Temperatur erreicht. Danach wird mit dem Taktbetrieb begonnen.



Der Verdampfer lässt sich nur starten, wenn der Saunaofen eingeschaltet ist. Dabei ist die maximal einstellbare Soll-Feuchte von der Saunatemperatur abhängig. Je höher die Saunatemperatur, desto niedriger ist der maximal einstellbare Feuchtwert.

Ausnahme: Der Verdampfer-Single-Betrieb ist aktiviert (siehe **8.4. Verdampfer-Single-Betrieb aktivieren** auf **Seite 25**). Hier lässt sich der Verdampfer auch ohne Saunaofen in Betrieb nehmen, wobei die maximale Feuchte von der aktuellen Kabinentemperatur abhängt.

9.6. Soll-Temperatur ändern

Sie können während des Betriebs jederzeit die eingestellte Soll-Temperatur ändern.

- Drehen Sie den Temperatur-Wähler **3** nach rechts, um die Temperatur zu erhöhen.
Drehen Sie den Temperatur-Wähler **3** nach links, um die Temperatur zu senken.
 - ▶ Der Temperatur-Wähler **3** blinkt und die eingestellte Soll-Temperatur wird in der Temperatur-Anzeige **4** angezeigt.
 - ▶ Anschließend wird in der Temperatur-Anzeige **4** wieder die aktuelle Temperatur in der Kabine angezeigt. Im Ein-Fühlerbetrieb wird die Soll-Temperatur angezeigt.



9.7. Soll-Feuchte ändern

Sie können während des Kombi-Betriebs jederzeit die eingestellte Soll-Feuchte ändern.

- Drehen Sie den Feuchte-Wähler **2** nach rechts, um die Feuchte zu erhöhen.
Drehen Sie den Feuchte-Wähler **2** nach links, um die Feuchte zu senken.
 - ▶ Der Feuchte-Wähler **2** blinkt und die eingestellte Soll-Feuchte wird in der Feuchte-Anzeige **1** angezeigt.
 - ▶ Anschließend wird in der Feuchte-Anzeige **1** wieder die aktuelle Feuchte in der Kabine angezeigt. Wenn kein Feuchte-Temperaturfühler installiert ist, wird die Soll-Feuchte angezeigt.

9.8. Standby für Fernwirken aktivieren

Laut EN 60335-2-53 müssen Saunasteuerungen mit Fernstartfunktion manuell auf die Betriebsart „Standby für Fernwirken“ gestellt werden. Diese Aktivierung muss nach jedem Fernstart- und Fernstopp-Vorgang neu erfolgen. Führen Sie dazu folgende Schritte durch:

1. Drücken Sie für drei Sekunden (Longpress) auf den Temperaturwähler .
 - ▶ Die Fernstart-Anzeige  beginnt zu blinken.
 - ▶ Die Saunasteuerung ist nun bereit um über ein Fernstartsignal gestartet und gestoppt zu werden.
 - ▶ Nach erfolgtem Fernstart- und Fernstopp erlischt die Fernstart-Anzeige und die Aktivierung der Betriebsart muss erneut vorgenommen werden.

9.9. Vorwahlzeit einstellen



WARNUNG!

Brandgefahr

Brennbare Gegenstände, die auf dem heißen Saunaofen liegen, entzünden sich und verursachen Brände.

- Legen Sie NIEMALS brennbare Gegenstände auf den Saunaofen.
- Stellen Sie sicher, dass KEINE brennbaren Gegenstände auf dem Saunaofen liegen, bevor Sie die Vorwahlzeitfunktion aktivieren .

Sie können die Vorwahlzeit in 15-Minuten-Schritten einstellen. Die maximale Vorwahlzeit beträgt 24 Stunden. Die Vorwahlzeit wird in Stunden und Minuten angezeigt, z.B. werden 8 Stunden und 15 Minuten als 8.15 angezeigt.

1. Starten Sie die den Sauna-Betrieb oder den Kombi-Betrieb (siehe Punkt 9.4 und 9.5.)
2. Drücken Sie den Vorwahlzeit-Taster **[7]**.
 - ▶ Der Temperatur-Wähler **[3]** blinkt und in der Temperatur-Anzeige **[4]** wird die zuletzt eingestellte Vorwahlzeit angezeigt.
3. Drücken Sie auf den Vorwahlzeit-Taster **[7]**, um die Vorwahlzeit in 15-Minuten-Schritten zu erhöhen.
4. Wenn Sie die gewünschte Vorwahlzeit erreicht haben, warten Sie einige Sekunden.
 - ▶ Die Saunasteuerung wechselt in den Standby-Modus und der Timer läuft.
 - ▶ In der Temperatur-Anzeige **[4]** wird die verbleibende Vorwahlzeit angezeigt und der Temperatur-Wähler **[3]** blinkt.
 - ▶ Nach Ablauf der Vorwahlzeit wird der gewählte Betrieb gestartet.



Die zuletzt eingestellte Vorwahlzeit wird gespeichert, somit kann mit nur einem Tastendruck der letzte Wert aufgerufen werden. Um die Vorwahlzeit auf 00:00 zurückzustellen, drücken Sie für drei Sekunden (Longpress) auf die Vorwahlzeit-Taste

9.10. Vorwahlzeitfunktion abbrechen

- Drücken Sie für drei Sekunden (Longpress) auf den Vorwahlzeit-Taster **[7]**, um die Vorwahlzeitfunktion abzubrechen.
 - ▶ Das Ablaufen der Vorwahlzeit wird abgebrochen.
 - ▶ In der Temperatur-Anzeige **[4]** wird die aktuelle Temperatur in der Kabine angezeigt. Im Ein-Fühlerbetrieb wird die Soll-Temperatur angezeigt.

9.11. Nachtrockenprogramm abbrechen

Nach dem Kombi-Betrieb wird automatisch das Nachtrockenprogramm gestartet. Dabei wird die Saunakabine bei eingeschaltetem Lüfter für 30 Minuten auf 80 °C aufgeheizt. In der Temperatur-Anzeige **[4]** wird der Text "dry" angezeigt.

- Drücken Sie für drei Sekunden (Longpress) auf den Temperatur-Wähler **[3]**, um das Nachtrockenprogramm abzubrechen.



Um Schimmel- und Fäulnisbildung zu vermeiden, sollte das Nachtrockenprogramm NICHT abgebrochen werden.

9.12. Saunabetrieb ausschalten

- Drücken Sie auf den Temperatur-Wähler **[3]**.
 - ▶ Der Saunaofen wird ausgeschaltet. Nach dem Kombi-Betrieb (mind. 3 Minuten) wird automatisch das Nachtrockenprogramm gestartet.

9.13. Saunasteuerung ausschalten

- Drücken Sie den EIN/AUS-Schalter **[6]**, um die Saunasteuerung auszuschalten.
 - ▶ Die Feuchte-Anzeige **[1]** und die Temperatur-Anzeige **[4]** erlöschen.
 - ▶ Die Saunasteuerung ist ausgeschaltet.

10. Reinigung und Wartung

10.1. Reinigung

ACHTUNG!**Schäden am Gerät**

Die Saunasteuerung ist spritzwassergeschützt, trotzdem kann direkter Kontakt mit Wasser das Gerät beschädigen.

- Tauchen Sie das Gerät NIEMALS in Wasser.
- Übergießen Sie das Gerät nicht mit Wasser.
- Reinigen Sie das Gerät nicht zu feucht.

-
1. Tränken Sie ein Reinigungstuch in milder Seifenlauge.
 2. Drücken Sie das Reinigungstuch gut aus.
 3. Wischen Sie das Gehäuse der Saunasteuerung vorsichtig ab.

10.2. Wartung

Die Saunasteuerung ist wartungsfrei.

11. Entsorgung



- Entsorgen Sie die Verpackungsmaterialien nach den gültigen Entsorgungsrichtlinien.
- Altgeräte enthalten wiederverwendbare Materialien, aber auch schädliche Stoffe. Geben Sie Ihr Altgerät deshalb auf keinen Fall in den Restmüll, sondern entsorgen Sie das Gerät nach den örtlich geltenden Vorschriften.

12. Problemlösung

12.1. Fehlermeldungen

Die Saunasteuerung ist mit einer Diagnosesoftware ausgestattet, die beim Einschalten und im Betrieb die Systemzustände überprüft. Sobald die Diagnosesoftware einen Fehler erkennt, schaltet die Saunasteuerung den Saunaofen ab.

Fehler werden durch einen wiederkehrenden Warnton und durch das Blinken des Feuchte-Wählers **[2]** und des Temperatur-Wählers **[3]** angezeigt. Zusätzlich wird in der Feuchte-Anzeige **[1]** der Text "Err" angezeigt. In der der Temperatur-Anzeige **[4]** wird die Fehlernummer angezeigt.

Schalten Sie die Saunasteuerung mit dem EIN/AUS-Schalter **[6]** aus und beheben Sie den Fehler bevor Sie die Saunasteuerung wieder einschalten.

Die folgende Tabelle beschreibt die möglichen Fehler und deren Ursache. Bei Bedarf teilen Sie die Fehlernummer Ihrem Kundendienst mit.

<i>Fehler</i>	<i>Beschreibung</i>	<i>Ursache / Behebung</i>
01	Sicherheitsabschaltung	Ein Gegenstand liegt auf dem Saunaofen. Entfernen Sie diesen bevor Sie den Saunaofen wieder in Betrieb nehmen. Ist keine Sicherheitsabschaltung montiert, beachten Sie 5.8. auf Seite 19.
02	Sicherheitstemperaturbegrenzer	Die maximale Temperatur von 139 °C über dem Ofen wurde überschritten.
04F1	Ofenfühler-Fehler	Defekter Ofenfühler, schlechter Kontakt oder Kurzschluss
06F2	Bankfühler-Fehler	Defekter Bankfühler, schlechter Kontakt oder Kurzschluss
07	Feuchtefühler-Fehler	Defekter Feuchtefühler, schlechter Kontakt oder Kurzschluss

12.2. Wassermangelanzeige

Die Saunasteuerung verfügt im Kombi-Betrieb über eine automatische Wassermangel-Abschaltung, sofern Ihr Kombi-Ofen dies unterstützt.

Ist der Wassertank des Verdampfers leer, wird dies durch einen wiederkehrenden Warnton und dem Text "FILL" in der Feuchte-Anzeige 1 signalisiert. Gleichzeitig schaltet sich der Verdampfer ab.

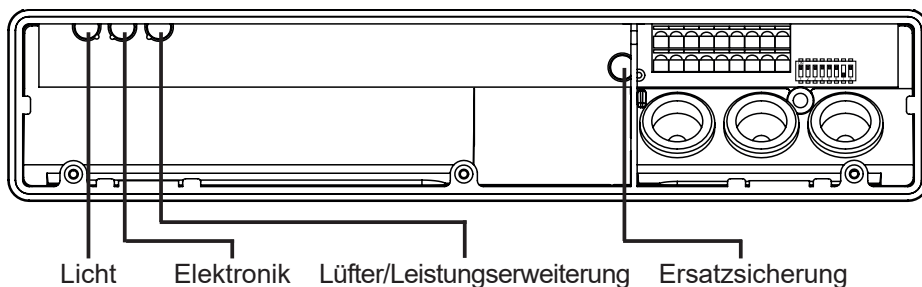
- Füllen Sie Wasser in den Wassertank des Verdampfers.
 - ▶ Nach kurzer Zeit erlischt der Text "FILL" und der Verdampfer beginnt wieder zu heizen.

12.3. Sicherungen

Im Anschlussbereich der Saunasteuerung befinden sich Sicherungen für Licht, Lüfter/Leistungserweiterung und Elektronik sowie eine Ersatzsicherung.

Hierbei handelt es sich um 1A träge Mikrosicherungen.

Diese können mit der Artikelnummer PRO-FUSE bestellt werden.



Zum Tauschen der Sicherung den Sicherungseinsatz gerade abziehen und die neue Sicherung einsetzen.

13. Technische Daten

Umgebungsbedingungen

Lagertemperatur:	-25 °C bis +70 °C
Umgebungstemperatur:	-10 °C bis +40 °C
Luftfeuchtigkeit:	max. 95%

Saunasteuerung

Abmessungen:	307 x 175 x 57 mm
Schaltspannung / dreiphasig 3N:	400 V AC
Frequenz:	50 Hz
Schaltleistung / Heizgerät :	3 x 3,5 kW
Schaltstrom pro Phase / Heizgerät:	16 A
Schaltleistung / Verdampfer:	3,5 kW
Schaltstrom / Verdampfer:	16 A
Nennspannung:	230 V
Schutzart (spritzwassergeschützt):	IPX4
Anschluss an das Versorgungsnetz als Festverdrahtung (Festanschluss)	

Licht

Schaltleistung:	100 W
Sicherung:	1A T

Lüfter

Schaltleistung:	100 W
Sicherung:	1A T

Einstellbereiche

Temperatur:	30 °C bis 110 °C
Feuchte:	0 % bis 100 %

Dabei ist die maximal einstellbare Feuchte von der Saunatemperatur abhängig. Je höher die Saunatemperatur, desto niedriger ist der maximal einstellbare Feuchtwert.

Thermische Sicherheit

Ofenfühler mit Übertemperatur-Sicherung (139 °C Abschalttemperatur)

Automatische Heizzeitbegrenzung einstellbar (6 h, 12 h, 18 h, 24 h)*

Wahlweise Ein-Fühlerbetrieb oder Zwei-Fühlerbetrieb

Anschlussleitungen

Versorgungsleitung:	min. 5 x 2,5 mm ²
Ofenzuleitung (temperaturbeständig bis 150 °C):	min. 2,5 mm ²
Fühlerleitungen (temperaturbeständig bis 150 °C):	min. 0,5 mm ²
Lichtleitung:	min. 1,5 mm ²
Lüfterleitung:	min. 1,5 mm ²

* Die EN 60335-2-53 schreibt für private Saunen eine Heizzeitbegrenzung von 6 h vor. Für Saunen in Hotels, Wohnblöcken und ähnlichen Standorten ist eine Heizzeitbegrenzung von 12 h zulässig. Die Erweiterung der Heizzeitbegrenzung auf 18 h oder 24 h ist nur in öffentlichen Saunen gestattet.

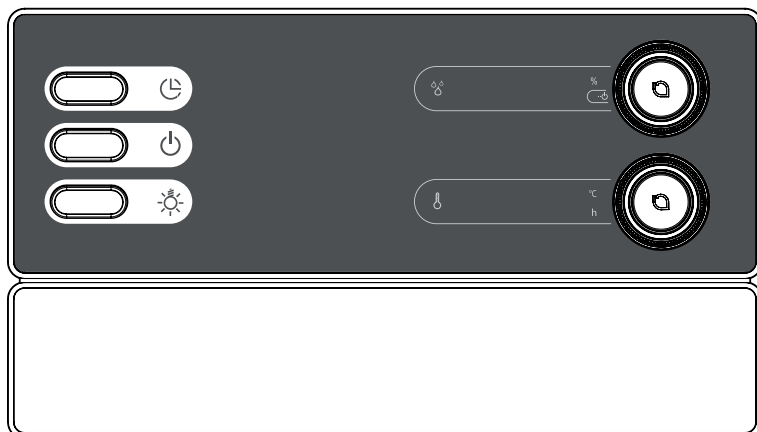
Commande de sauna

Pro B3

PRO-B3

INSTRUCTIONS DE MONTAGE ET MODE D'EMPLOI

Français



FR

Table des matières

1. Concernant ces instructions	5
2. Remarques importantes pour votre sécurité	6
2.1. Usage conforme	6
2.2. Consignes de sécurité pour le monteur	7
2.3. Consignes de sécurité pour l'utilisateur	8
3. Description du produit	9
3.1. Contenu de la livraison	9
3.2. Accessoires en option	9
3.3. Fonctions du produit	9
3.4. Modes de fonctionnement du sauna	10
3.5. Modes de fonctionnement des sondes	10
4. Montage	12
4.1. Montage de la commande de sauna	12
4.2. Montage de la sonde de poêle F1 avec dispositif de protection contre la surtempérature	14
4.3. Montage de la sonde de banc F2 (en option)	15
4.4. Montage de la sonde de température-humidité FTS2 (en option)	15
5. Branchements électriques	16
5.1. Branchement du câble d'alimentation, du poêle et de l'évaporateur	17
5.2. Branchement de l'éclairage	17
5.3. Branchement du ventilateur (en option)	18
5.4. Branchement du module d'extension de puissance (en option)	18
5.5. Branchement de la sonde de poêle F1	18
5.6. Branchement de la sonde de banc F2 (en option)	18
5.7. Branchement de la sonde de température-humidité FTS2 (en option)	19
5.8. Branchement du dispositif d'arrêt de sécurité	19

5.9.	Démarrage à distance.....	20
5.10.	Fin de l'installation.....	20
6.	Exécution des contrôles.....	21
7.	Schéma de raccordement.....	23
8.	Mise en service.....	24
8.1.	Réglage de la limitation de la durée de chauffage.....	24
8.2.	Activation/désactivation de la disponibilité des phases.....	25
8.3.	Activation/désactivation du fonctionnement à une sonde.....	25
8.4.	Activation de l'évaporateur en mode simple.....	25
8.5.	Affichage de la température du poêle en fonctionnement à une sonde.....	26
9.	Utilisation.....	27
9.1.	Éléments de commande.....	27
9.2.	Allumage de l'éclairage.....	27
9.3.	Mise en marche de la commande de sauna.....	28
9.4.	Activation du mode sauna.....	28
9.5.	Activation du mode mixte.....	29
9.6.	Modification de la température de consigne.....	30
9.7.	Modification de l'humidité de consigne.....	30
9.8.	Activation du mode de veille de l'actionnement à distance.....	31
9.9.	Réglage de la marche programmée.....	32
9.10.	Désactivation de la fonction de marche programmée.....	33
9.11.	Arrêt du programme de séchage final.....	33
9.12.	Arrêter le fonctionnement du sauna.....	33
9.13.	Arrêt de la commande de sauna.....	33

10. Nettoyage et entretien	34
10.1. Nettoyage.....	34
10.2. Entretien.....	34
11. Élimination	34
12. Dépannage	35
12.1. Messages d'erreur.....	35
12.2. Affichage du manque d'eau.....	36
12.3. Fusibles.....	36
13. Caractéristiques techniques	37

1. Concernant ces instructions

Lisez attentivement ces instructions de montage et ce mode d'emploi et conservez-les à proximité de la commande de sauna. Vous pouvez ainsi consulter à tout moment des informations concernant son utilisation et relatives à votre sécurité.



Ces instructions de montage et d'utilisation sont également disponibles dans la rubrique de téléchargement de notre site Internet www.sentiotec.com/downloads.

Symboles d'avertissement

Dans ces instructions de montage et ce mode d'emploi, un avertissement précède les activités représentant un danger. Conformez-vous impérativement à ces avertissements. Vous éviterez ainsi des dommages matériels et des blessures qui, dans le pire des cas, peuvent être mortelles.

Ces avertissements utilisent des termes clés qui ont la signification suivante :



DANGER

Si vous ne respectez pas cet avertissement, il y a un risque de blessures graves, voire mortelles.



AVERTISSEMENT

Si vous ne respectez pas cet avertissement, il y a un risque éventuel de blessures graves, voire mortelles.



PRUDENCE

Si vous ne respectez pas cet avertissement, il y a un risque éventuel de blessures légères.

ATTENTION

Ce terme clé vous avertit de dommages matériels éventuels.

Autres symboles



Ce symbole désigne les conseils et indications utiles.

2. Remarques importantes pour votre sécurité

La commande de sauna Pro B3 est conçue selon des règles techniques de sécurité reconnues. Cependant, des dangers peuvent survenir lors de l'utilisation. C'est pourquoi vous devez suivre les consignes de sécurité suivantes et les avertissements spécifiques des différents chapitres. Conformez-vous aux consignes de sécurité des appareils raccordés.

2.1. Usage conforme

La commande de sauna Pro B3 sert exclusivement à la commande et au réglage des fonctions conformément aux données techniques.

La commande de sauna Pro B3 peut uniquement être utilisée pour la commande et le réglage d'un poêle de sauna ayant satisfait au contrôle selon le paragraphe 19.101 de la norme EN 60335-2-53. Si le four ne répond pas à cette exigence, des précautions de sécurité appropriées doivent être prises (par exemple: dispositif d'arrêt de sécurité, voir **5.8** à la page **19**).

La commande de sauna Pro B3 ne peut être utilisée que pour la commande et le réglage de 3 cycles de chauffage avec une puissance max. de 3,5 kW par cycle. La puissance maximale de l'évaporateur est de 3,5 kW.

Toute autre utilisation sera considérée comme un usage non conforme. Un usage non conforme peut endommager le produit et provoquer de graves blessures, voire la mort.

2.2. Consignes de sécurité pour le monteur

- Seul un électricien spécialisé ou une personne ayant une qualification similaire est habilité à procéder au montage.
- Les travaux sur la commande de sauna doivent être effectués uniquement lorsque l'appareil n'est pas sous tension.
- Un dispositif de coupure totale du circuit sur tous les pôles (catégorie de surtension III) doit être prévu par le client.
- La commande de sauna doit être montée en dehors de la cabine de sauna à une hauteur d'environ 1,70 m ou conformément aux recommandations du fabricant de la cabine. La température ambiante doit être comprise entre -10 °C et 40 °C.
- La sonde de poêle doit être posée de sorte à ne pas être influencée par l'air entrant.
- La section du câble d'alimentation du poêle doit : être d'au moins 2,5 mm² et pouvoir résister à une température de 150 °C.
- Respectez également les dispositions légales du lieu d'installation.
- Si certains problèmes ont été insuffisamment traités dans les instructions de montage, adressez-vous à votre fournisseur pour votre propre sécurité.

2.3. Consignes de sécurité pour l'utilisateur

- La commande de sauna ne doit pas être utilisée par des enfants de moins de 8 ans.
- La commande de sauna peut être utilisée par des enfants de plus de 8 ans, par des personnes ayant des capacités psychiques, sensorielles ou mentales limitées et par des personnes manquant d'expérience et de connaissances aux conditions suivantes :
 - lorsqu'ils sont surveillés ;
 - lorsque l'utilisation en toute sécurité leur a été montrée et qu'ils comprennent les dangers qui peuvent survenir.
- Les enfants ne doivent pas jouer avec la commande de sauna.
- Les enfants de moins de 14 ans peuvent nettoyer la commande de sauna uniquement sous surveillance.
- Pour des raisons de santé, n'utilisez pas le sauna lorsque vous êtes sous l'influence de l'alcool, de médicaments ou de drogues.
- Assurez-vous qu'aucun objet inflammable ne se trouve sur le poêle de sauna avant de mettre la commande en marche.
- Assurez-vous qu'aucun objet inflammable ne se trouve sur le poêle avant d'activer la marche programmée ou le mode veille du démarrage à distance.
- Si certains problèmes ont été insuffisamment traités dans le mode d'emploi, adressez-vous à votre fournisseur pour votre propre sécurité.

3. Description du produit

3.1. Contenu de la livraison

- Commande de sauna
- Sonde de poêle avec dispositif de protection contre la surtempérature intégré
- Matériel de montage
- Fil de liaison pour pontage des bornes **V1** et **Wm** pour poêles mixtes sans arrêt en cas de manque d'eau

3.2. Accessoires en option

- Sonde de banc (référence : O-F2)
- Sonde de température-humidité (référence : O-FTS2)
- Module d'extension de puissance (référence : O-S2-18 / O-S2-30)
- Arrêt de sécurité (référence : SFE-xxxxx)
- Serveur Web pronet (référence : PRO-NET)

3.3. Fonctions du produit

La commande de sauna Pro B3 dispose des fonctions suivantes :

- Réglage des poêles mixtes avec une puissance de chauffage de 10,5 kW et jusqu'à une puissance de l'évaporateur de 3,5 kW dans la plage de température de 30 °C à 110 °C et la plage d'humidité de 5 à 100 %.
- Avec un module d'extension de puissance, la puissance de commutation maximale peut être augmentée de 10,5 kW à 18 kW ou 30 kW.
- Fonction de démarrage à distance
- Fonction de marche programmée (jusqu'à 24 heures)
- Limitation automatique de la durée de chauffage
La commande de sauna s'arrête automatiquement au bout du temps de chauffage maximal pour des raisons de sécurité. La durée de chauffage maximal peut être réglée sur 6 h, 12 h, 18 h ou 24 h.
- Programme de séchage final
Après le fonctionnement mixte, le programme de séchage final est automatiquement démarré afin d'éviter la formation de moisissure et de pourriture dans la cabine de sauna. La cabine de sauna est alors chauffée à 80 °C pendant environ 30 minutes avec le ventilateur activé.

- Dispositif de protection contre la surtempérature
Le dispositif de protection contre la surtempérature se trouve dans le boîtier de la sonde de poêle. Si en raison d'un défaut, le poêle de sauna continue à chauffer une fois la température souhaitée atteinte, le dispositif de protection contre la surtempérature éteint le poêle automatiquement à environ 139 °C.

3.4. Modes de fonctionnement du sauna

La commande de sauna Pro B3 permet deux modes de fonctionnement : le mode sauna et le mode mixte.

Mode sauna

En mode sauna, la chaleur disponible est très sèche. La température dans la cabine est élevée (de 80 à 100 °C). Les valeurs d'humidité sont faibles (max. 10 %).

Mode mixte

En mode mixte, le poêle de sauna et l'évaporateur fonctionnent. La température dans la cabine du sauna est plus basse (environ de 40 à 65 °C) qu'en mode sauna mais l'humidité de l'air relative est bien plus élevée (de 35 % à environ 70 %). L'humidité de consigne maximale pouvant être réglée dépend de la température du sauna. Plus la température du sauna est élevée, plus la valeur de l'humidité réglable maximale est basse.

3.5. Modes de fonctionnement des sondes

La commande de sauna peut être utilisée avec une ou deux sondes. La deuxième sonde utilisée peut être une sonde de température (sonde de banc, F2) ou une sonde de température-humidité (FTS2).

Fonctionnement à une sonde (F1)

Le fonctionnement à une sonde doit être activé lors de la mise en service (voir **8.3. Activation/désactivation du fonctionnement à une sonde page 25**).

Lors du fonctionnement à une sonde, la commande de sauna fonctionne uniquement avec la sonde de poêle équipée du dispositif de protection contre la surtempérature (F1). Celle-ci est comprise dans la livraison.

Lors du fonctionnement à une sonde, la commande de sauna n'affiche par défaut que la température de consigne. La température effective n'est pas affichée. Si, lors du fonctionnement à une sonde, vous souhaitez que la température effective affichée par la commande de sauna soit la température détectée au-dessus du poêle (sonde F1), vous devez activer cette fonction lors de la mise en service (voir **8.5. Affichage de la température du poêle en fonctionnement à une sonde** page 26).

La valeur d'humidité maximale pouvant être réglée varie selon la température au-dessus du poêle et si l'humidité est cadencée. Sur l'écran de la commande de sauna, seule la valeur de consigne de l'humidité (en % d'humidité de l'air relative) est affichée. L'humidité réelle dans la cabine du sauna dépendant, lorsque l'humidité est cadencée, de la taille de la cabine et de la puissance de l'évaporateur, elle peut diverger de la valeur de consigne réglée.

Fonctionnement à deux sondes avec sonde de banc (F2)

En fonctionnement à deux sondes avec sonde de banc, une deuxième sonde de température (sonde de banc) est montée au-dessus du banc arrière du sauna. La commande de sauna indique la température mesurée par la sonde de banc comme température effective.

En fonctionnement à deux sondes avec sonde de banc, l'humidité est cadencée. Sur l'écran de la commande de sauna, seule la valeur de consigne de l'humidité (en % d'humidité de l'air relative) est affichée. L'humidité réelle dans la cabine du sauna dépendant, lorsque l'humidité est cadencée, de la taille de la cabine et de la puissance de l'évaporateur, elle peut diverger de la valeur de consigne réglée.

Fonctionnement à deux sondes avec sonde de température-humidité (F2S2)

Lorsqu'une sonde de température-humidité est utilisée en fonctionnement à deux sondes, la commande de sauna indique la température mesurée par la sonde de température-humidité comme température effective.

En fonctionnement à deux sondes avec sonde de température-humidité, l'évaporateur est réglé en fonction de l'humidité mesurée dans la cabine. Sur l'écran de la commande de sauna, l'humidité réelle de la cabine de sauna (en % d'humidité de l'air relative) est affichée.

4. Montage

4.1. Montage de la commande de sauna

ATTENTION

Endommagement de l'appareil

La commande de sauna est protégée contre les projections d'eau, mais un contact direct avec de l'eau peut quand même endommager l'appareil.

- Montez la commande de sauna à un endroit sec où l'humidité de l'air ne dépasse pas 95 %.
-

ATTENTION

Les sources d'interférences gênent la transmission des signaux

- Installez tous les câbles des sondes séparément des autres câbles électriques et câbles de commande.
 - Protégez les câbles à isolation simple par un tuyau (isolation double).
-

Lors du montage de la commande de sauna, tenez compte des points suivants :

- La commande de sauna doit être montée en dehors de la cabine de sauna ou conformément aux recommandations du fabricant de la cabine.
- La température ambiante doit être comprise entre -10 °C et +40 °C.
- Toutes les sondes doivent être raccordées avec les câbles de sondes joints qui résistent à une température allant jusqu'à 150 °C.



Les câbles des sondes peuvent être rallongés aux conditions suivantes :

- Utilisez un câble en silicone résistant à des températures allant jusqu'à 150 °C.
 - La section minimale du câble est de 0,5 mm².
 - La longueur des câbles de sonde de poêle NE doit PAS dépasser 10 m.
-

Pour le montage de la commande de sauna, suivez les étapes suivantes :

1. Vissez deux vis cruciformes (16 mm) à une hauteur d'environ 1,70 m jusqu'à obtenir un écartement de 7 mm dans la paroi du sauna. L'espace entre les deux vis doit être de 145 mm (voir **Fig. 1**).

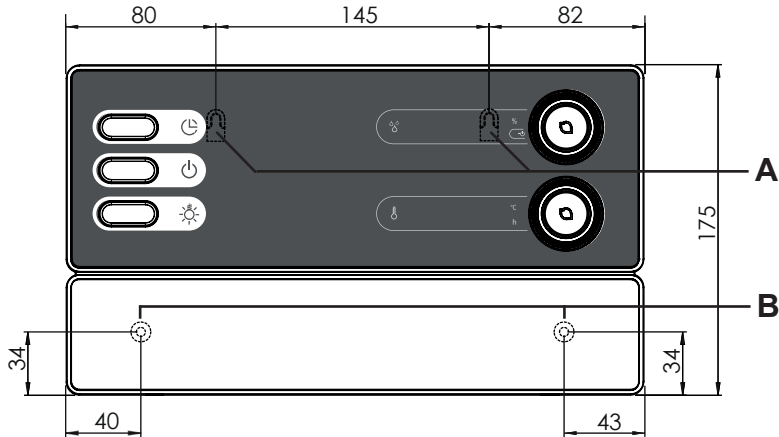


Fig. 1 Position du dispositif de suspension et des ouvertures de montage (mesures en mm)

2. Appuyez légèrement dans les fermetures à déclic **C** avec un tournevis et retirez le couvercle du boîtier (voir **Fig. 2**).
3. Accrochez la commande de sauna à l'aide du dispositif de suspension **A** aux vis cruciformes montées (voir **Fig. 1**).
4. Vissez deux vis cruciformes (16 mm) dans les ouvertures de fixation inférieures **B** (voir **Fig. 1**).

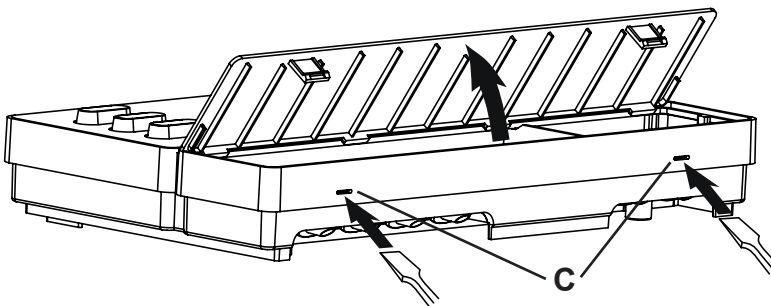


Fig. 2 Retrait du couvercle du boîtier

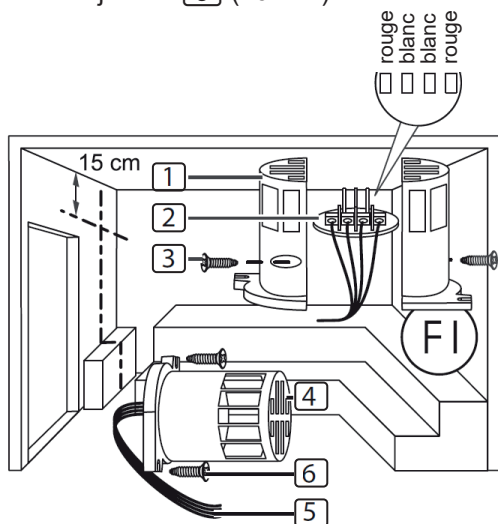
4.2. Montage de la sonde de poêle F1 avec dispositif de protection contre la surtempérature

Lors du montage de la sonde de poêle, tenez compte des points suivants :

- La sonde de poêle est montée sur la paroi arrière du poêle, dans la moitié supérieure du poêle. Respectez une distance de 15 cm environ par rapport au plafond de la cabine.
- La sonde de poêle doit être posée de sorte à ne pas être influencée par l'air entrant.

Pour le montage de la sonde de poêle, suivez les étapes suivantes (voir **Fig. 3**) :

1. Faites passer les deux câbles bipolaires de la sonde de poêle dans la paroi de la cabine du sauna jusqu'à l'emplacement de montage de la sonde de poêle et fixez les câbles de la sonde de poêle avec des serre-câbles.
2. Séparez les demi-coquilles **1** de la sonde de poêle l'une de l'autre.
3. Branchez les quatre raccordements du câble de la sonde de poêle **5** conformément à la **Fig. 3**.
4. Posez la plaque de raccordement **2** en travers (voir **Fig. 3**) dans les demi-coquilles de la sonde de poêle.
5. Fermez les demi-coquilles, vissez-les à l'aide des deux vis cruciformes **3** (9 mm) et vérifiez que la sonde de poêle est correctement fermée.
6. Montez la sonde de poêle sur la paroi arrière du poêle à l'aide des deux vis à bois jointes **6** (16 mm).



- 1** Demi-coquilles de la sonde de poêle
- 2** Plaque de raccordement
- 3** Vis cruciformes (9 mm)
- 4** Sonde de poêle
- 5** Câbles de sonde de poêle
- 6** Vis à bois (16 mm)

Fig. 3 Montage de la sonde de poêle

4.3. Montage de la sonde de banc F2 (en option)

La sonde de banc est montée dans la paroi de la cabine au-dessus du banc arrière. Respectez une distance de 15 cm environ par rapport au plafond de la cabine.

Pour le montage de la sonde de banc, suivez les étapes suivantes :

1. Faites passer le câble bipolaire de la sonde de banc dans la paroi de la cabine du sauna jusqu'à l'emplacement de montage de la sonde de banc et fixez les câbles de la sonde de banc avec des serre-câbles.
2. Séparez les demi-coquilles de la sonde de banc l'une de l'autre.
3. Branchez les deux raccordements du câble de la sonde de banc sur les deux bornes de la plaque centrale de raccordement.
4. Posez la plaque de raccordement en travers dans les demi-coquilles de la sonde de banc.
5. Fermez les demi-coquilles et vissez-les avec les deux vis cruciformes (9 mm).
6. Vérifiez que la sonde de banc est correctement fermée.
7. Montez la sonde de banc sur la paroi de la cabine à l'aide des deux vis à bois jointes (16 mm). Respectez une distance de 15 cm par rapport au plafond de la cabine.

4.4. Montage de la sonde de température-humidité FTS2 (en option)

La sonde de température-humidité est montée sur la paroi de la cabine au-dessus du banc arrière. Respectez une distance de 15 cm environ par rapport au plafond de la cabine.

Pour le montage de la sonde de température-humidité, suivez les étapes suivantes :

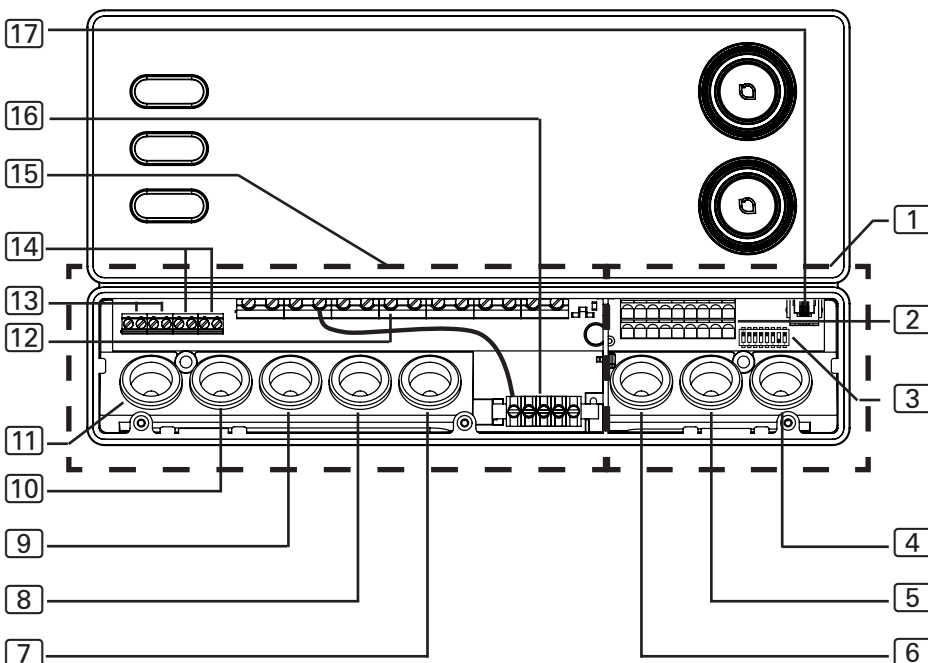
1. Faites passer le câble à 5 pôles de la sonde dans la paroi de la cabine du sauna jusqu'à l'emplacement de montage de la sonde de température-humidité et fixez les câbles de la sonde avec des serre-câbles.
2. Montez la sonde de température-humidité sur la paroi de la cabine à l'aide des deux vis à bois jointes (16 mm). Respectez une distance de 15 cm par rapport au plafond de la cabine.

5. Branchements électriques

ATTENTION

Endommagement de l'appareil

- La commande de sauna ne peut être utilisée que pour la commande et le réglage de 3 cycles de chauffage avec une puissance de 3,5 kW max. par cycle. La puissance maximale de l'évaporateur est de 3,5 kW.



- | | | | |
|---|---|----|---|
| 1 | Zone de raccordement pour très basse tension | 9 | Passage de câbles pour câble d'alimentation |
| 2 | Bloc de jonction pour arrêt de sécurité, démarrage à distance et câbles de sondes | 10 | Passage de câbles pour module d'extension de puissance |
| 3 | Commutateur de sélection de fonctions | 11 | Passage de câbles pour éclairage et ventilation |
| 4 | Passage de câbles pour sonde F2 et sonde FTS2 | 12 | Bloc de jonction pour câble de poêle, câble d'évaporateur et câble d'alimentation |
| 5 | Passage de câbles pour sonde F1 | 13 | Bloc de jonction pour éclairage et ventilation |
| 6 | Passage de câbles pour arrêt de sécurité et démarrage à distance | 14 | Bloc de jonction pour module d'extension de puissance |
| 7 | Passage de câbles pour câble d'évaporateur | 15 | Zone de raccordement pour 230 V/400 V |
| 8 | Passage de câbles pour câble du poêle | 16 | Fil de terre |
| | | 17 | Connecteur RJ45 pour RS-485 et pronet |

Lors du raccordement électrique, tenez compte des points suivants :

- Seul un électricien spécialisé ou une personne ayant une qualification similaire est habilité à procéder au montage.



Pour bénéficier de la garantie, vous devez présenter une copie de la facture de l'électricien ayant effectué le branchement.

- Les travaux sur la commande de sauna doivent être effectués uniquement lorsque l'appareil n'est pas sous tension.
- L'alimentation électrique doit être assurée par un raccordement fixe.
- Un dispositif de coupure totale du circuit sur tous les pôles (catégorie de surtension III) doit être prévu par le client.
- Respectez le schéma de raccordement (**Fig. 4**) page **23**.

5.1. Branchement du câble d'alimentation, du poêle et de l'évaporateur

1. Faites passer le câble d'alimentation et le câble de poêle et d'évaporateur dans les passages de câbles **9**, **8**, **7** dans la zone de raccordement pour 230 V/400 V **15**.
2. Branchez les câbles de raccordement conformément au schéma de raccordement sur le bloc de jonction **12**. Conformez-vous au mode d'emploi des différents appareils.
3. Si l'évaporateur ne dispose pas d'un arrêt automatique en cas de manque d'eau, suivez les étapes suivantes :
 - Reliez la borne « **V1** » à la borne « **Wm** » à l'aide du fil de liaison joint.

5.2. Branchement de l'éclairage

1. Faites passer le câble d'éclairage dans le passage de câbles **11** dans la zone de raccordement pour 230 V/400 V **15**.
2. Branchez le câble d'éclairage conformément au schéma de raccordement sur le bloc de jonction **13**. Conformez-vous au mode d'emploi de chaque appareil.

5.3. Branchement du ventilateur (en option)

1. Faites passer le câble d'éclairage dans le passage de câbles [11] dans la zone de raccordement pour 230 V/400 V [15].
2. Branchez le câble du ventilateur conformément au schéma de raccordement sur le bloc de jonction [13]. Conformez-vous au mode d'emploi de chaque appareil.

5.4. Branchement du module d'extension de puissance (en option)

1. Faites passer le câble du module d'extension de puissance dans le passage de câbles [10] dans la zone de raccordement pour 230 V/400 V [15].
2. Branchez le câble du module d'extension de puissance conformément au schéma de raccordement sur le bloc de jonction [14]. Utilisez la borne « **ST1** » pour le circuit de sécurité et la borne « **ST2** » pour le circuit de commande. Conformez-vous au mode d'emploi de chaque appareil.

5.5. Branchement de la sonde de poêle F1

1. Faites passer les câbles de la sonde de poêle dans le passage de câbles [5] dans la zone de raccordement pour très basse tension [1].
2. Raccordez les câbles rouges de la sonde de poêle aux bornes portant l'inscription « **STB** » sur le bloc de jonction [2].
3. Raccordez les câbles blancs de la sonde de poêle aux bornes portant l'inscription « **F1** » sur le bloc de jonction [2].

5.6. Branchement de la sonde de banc F2 (en option)

1. Faites passer les câbles de la sonde de banc dans le passage de câbles [4] dans la zone de raccordement pour très basse tension [1].
2. Raccordez les câbles de la sonde de banc aux bornes portant l'inscription « **F2** » sur le bloc de jonction [2].

5.7. Branchement de la sonde de température-humidité FTS2 (en option)

1. Faites passer les câbles de la sonde dans le passage de câbles [4] dans la zone de raccordement pour très basse tension [1].
2. Raccordez les câbles de la sonde de température-humidité aux bornes portant l'inscription « **F2** » sur le bloc de jonction [2].
 - a. Branchez le câble noir à la borne de droite.
 - b. Branchez le câble marron à la borne de gauche.
3. Raccordez les câbles de la sonde de température-humidité aux bornes portant l'inscription « **+ S** » sur le bloc de jonction [2].
 - c. Branchez le câble vert à la borne « **+** ».
 - d. Branchez le câble orange à la borne « **S** ».
 - e. Branchez le câble rouge à la borne « **-** ».

5.8. Branchement du dispositif d'arrêt de sécurité

Les commandes de sauna avec actionnement à distance ne doivent être utilisées que pour la commande et le réglage d'un poêle de sauna ayant satisfait au contrôle selon le paragraphe 19.101 de la norme EN 60335-2-53. Un dispositif d'arrêt de sécurité adapté peut également être installé dans ou sur le poêle. Le poêle du sauna est ainsi arrêté lorsque des objets, par exemple une serviette, sont posés sur le poêle.

Pour le montage du dispositif d'arrêt de sécurité, suivez les étapes suivantes :

1. Montez le dispositif d'arrêt de sécurité conformément au mode d'emploi de l'appareil.
2. Faites passer les câbles du dispositif d'arrêt de sécurité dans le passage de câbles [6] dans la zone de raccordement pour très basse tension [1].
3. Raccordez les câbles aux bornes portant l'inscription « **OSG** » sur le bloc de jonction [2].



S'il n'y a pas de dispositif d'arrêt de sécurité, pontez les bornes et inscrivez « **OSG** » sur celles-ci.

5.9. Démarrage à distance

Le raccordement est fait avec les bornes « **S** », « **B** » et « **C** ». « **S** » correspond au mode sauna et « **C** » au mode évaporateur. « **B** » est une sortie +24 V CC. Celle-ci doit être commutée par un commutateur ou un actionneur sur la borne correspondant au mode de fonctionnement souhaité.

5.10. Fin de l'installation

1. Raccordez le fil de terre du câble d'alimentation et de tous les appareils à la borne de terre **16**.
2. Placez le couvercle du boîtier sur le bord supérieur de la boîte de raccordement.
3. Poussez légèrement les fermetures à déclic vers l'intérieur et abaissez le couvercle du boîtier jusqu'à encliquetage.

6. Exécution des contrôles

Les contrôles suivants doivent être exécutés par un installateur-électricien agréé.



AVERTISSEMENT

Les contrôles suivants sont exécutés alors que l'alimentation électrique est établie. Attention au risque d'électrocution.

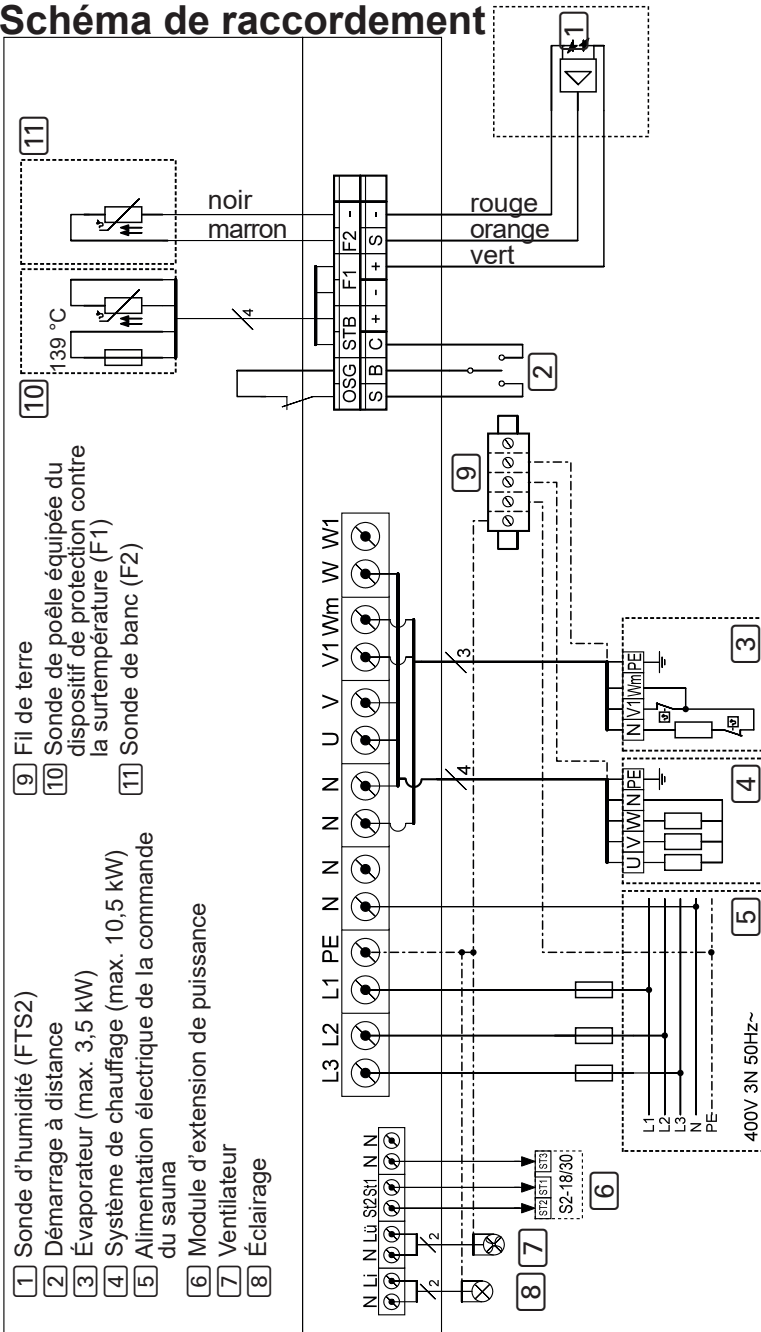
- Ne touchez JAMAIS de pièces conductrices sous tension.

1. Contrôlez le contact des câbles de terre à la borne de mise à la terre.
2. Contrôlez le dispositif de protection contre la surtempérature de la sonde de poêle F1.
 - a. Mettez la commande de sauna en marche.
 - b. Ouvrez la sonde de poêle et débranchez un des deux câbles rouges de la sonde de poêle.
 - ▶ Sur l'écran supérieur, le message « Err » s'affiche, « 02 » s'affiche sur l'écran inférieur et la commande stoppe le poêle.
 - c. Arrêtez la commande de sauna.
 - d. Rebranchez le câble rouge de la sonde de poêle.
 - e. Débranchez maintenant un des câbles blancs de la sonde de poêle.
 - f. Mettez la commande de sauna en marche.
 - ▶ Sur l'écran supérieur, le message « Err » s'affiche, « 04F1 » s'affiche sur l'écran inférieur et la commande stoppe le poêle.
 - g. Arrêtez la commande de sauna.
 - h. Rebranchez le câble blanc de la sonde de poêle.
3. Vérifiez la commutation des phases pour le mode sauna de L1, L2, L3 à U, V, W.
4. Vérifiez la commutation des phases pour le mode évaporateur de L1, L2, L3 à U, V, W.

5. Contrôlez la puissance de chauffage maximale autorisée sur la commande de sauna (3,5 kW par phase).
6. En présence d'un module d'extension de puissance optionnel
 - a. Contrôlez les câbles de commande ST1, ST2 et ST3.
 - b. Contrôlez la puissance de chauffage maximale sur le module d'extension de puissance S2-18 de 3 kW pour chaque phase.
 - c. Contrôlez la puissance de chauffage maximale sur le module d'extension de puissance S2-30 de 7 kW pour chaque phase.

7. Schéma de raccordement

Fig. 4 Schéma de raccordement



- 1 Sonde d'humidité (FTS2)
- 2 Démarrage à distance
- 3 Évaporateur (max. 3,5 kW)
- 4 Système de chauffage (max. 10,5 kW)
- 5 Alimentation électrique de la commande du sauna
- 6 Module d'extension de puissance
- 7 Ventilateur
- 8 Éclairage
- 9 Fil de terre
- 10 Sonde de poêle équipée du dispositif de protection contre la surtempérature (F1)
- 11 Sonde de banc (F2)

8. Mise en service

Vous pouvez activer différentes fonctions du produit à l'aide du commutateur de sélection de fonctions qui se trouve dans la zone de raccordement pour très basse tension. L'illustration de droite représente le réglage standard du commutateur de sélection de fonctions.

Veillez à ce que la commande soit éteinte pendant 10 secondes après les modifications, et ce afin d'enregistrer les réglages.

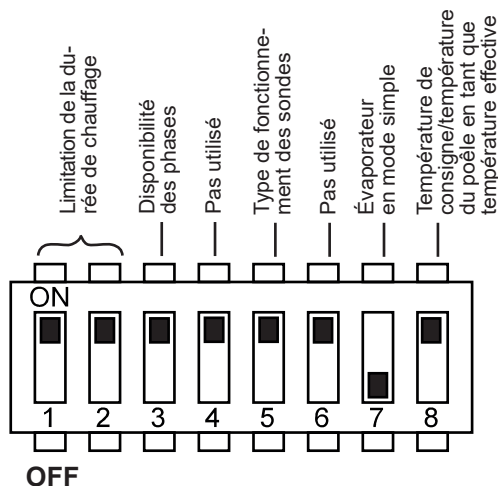


Fig. 5 Commutateur de sélection de fonctions – réglage standard

8.1. Réglage de la limitation de la durée de chauffage

La durée de chauffage maximale est réglée par défaut sur 6 h. La commande de sauna s'arrête automatiquement au bout du temps de chauffage maximal pour des raisons de sécurité.

Vous pouvez régler la durée de chauffage maximale sur 12 h, 18 h ou 24 h à l'aide du commutateur de sélection de fonctions dans la zone de raccordement pour très basse tension. Vous trouverez pour cela les positions du commutateur de sélection de fonctions dans le tableau de droite.

Commutateur de sélection de fonctions	1	2
6 h	ON	ON
12 h	OFF	ON
18 h	ON	OFF
24 h	OFF	OFF



La norme EN 60335-2-53 prévoit une limitation de la durée de chauffage de 6 h maximum pour les saunas privés. Pour les saunas dans les hôtels, les immeubles et les endroits similaires, la limitation de la durée de chauffage peut atteindre un maximum autorisé de 12 h. Une extension de la limitation de la durée de chauffage à 18 h ou à 24 h est autorisée pour les saunas publics uniquement.

8.2. Activation/désactivation de la disponibilité des phases

La disponibilité des phases est activée et désactivée par le commutateur de sélection de fonctions **3**.

- Le commutateur de sélection de fonctions **3** se trouve par défaut en position ON. La disponibilité des phases est donc activée.
- Si vous souhaitez désactiver la disponibilité des phases, placez le commutateur de sélection de fonctions **3** en position OFF.

8.3. Activation/désactivation du fonctionnement à une sonde

Lors du fonctionnement à une sonde, la commande de sauna fonctionne uniquement avec la sonde de poêle équipée du dispositif de protection contre la surtempérature (sonde F1). Le fonctionnement à une sonde peut être activé par l'intermédiaire du commutateur de sélection de fonctions **5**.

- Le commutateur de sélection de fonctions **5** se trouve par défaut en position ON. Le fonctionnement à deux sondes est donc activé.
- Si vous souhaitez désactiver le fonctionnement à une sonde, placez le commutateur de sélection de fonctions **5** en position OFF.

8.4. Activation de l'évaporateur en mode simple

Le réglage d'usine ne permet qu'une mise en service commune de l'évaporateur et du système de chauffage. Pour exploiter l'évaporateur sans le système de chauffage, activez le mode simple de ce premier par le commutateur de sélection de fonction **7**.

- Le commutateur de sélection de fonction **7** se trouve par défaut en position OFF. Le mode simple de l'évaporateur est par conséquent désactivé.
- Si vous souhaitez activer le mode simple de l'évaporateur, mettez le commutateur de sélection de fonctions **7** en position ON.

8.5. Affichage de la température du poêle en fonctionnement à une sonde

Lors du fonctionnement à une sonde, la commande de sauna n'affiche par défaut que la température de consigne. La température effective n'est pas affichée. Si, lors du fonctionnement à une sonde, vous souhaitez que la température effective affichée par la commande de sauna soit la température détectée au-dessus du poêle (sonde F1), vous devez sélectionner cette fonction par l'intermédiaire du commutateur de sélection de fonctions **8**.

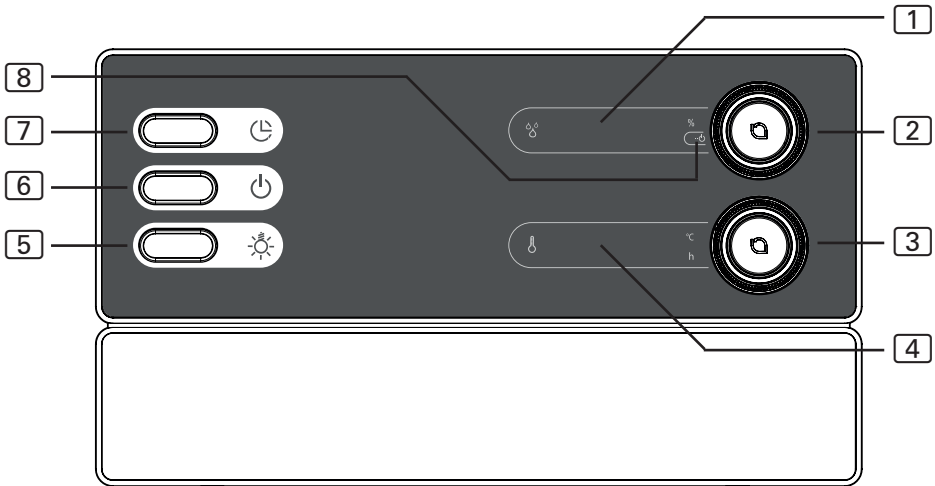
- Le commutateur de sélection de fonctions **8** se trouve par défaut en position ON. Ainsi, seule la température de consigne apparaît.
- Si vous souhaitez que la température effective affichée soit la température détectée au-dessus du poêle, vous devez placer le commutateur de sélection de fonctions **8** en position OFF.



Veillez tenir compte du fait que la température au-dessus du poêle est toujours plus élevée que la température dans la zone des bancs. En prenant la température du poêle comme température effective, la température affichée par la commande de sauna est plus élevée que la température mesurée par votre thermomètre de cabine.

9. Utilisation

9.1. Éléments de commande



- 1** Affichage de l'humidité
- 2** Sélecteur d'humidité
- 3** Sélecteur de température
- 4** Affichage de température

- 5** Commutateur d'éclairage
- 6** Commutateur MARCHÉ/ARRÊT
- 7** Sélecteur de marche programmée
- 8** Affichage de démarrage à distance

FR

9.2. Allumage de l'éclairage

L'éclairage de la cabine de sauna peut être allumé et éteint indépendamment du commutateur MARCHÉ/ARRÊT **6**.

- Pour allumer ou éteindre l'éclairage, appuyez sur le commutateur d'éclairage **5**.

9.3. Mise en marche de la commande de sauna



AVERTISSEMENT

Risque d'incendie

Des objets inflammables se trouvant sur le poêle de sauna brûlant peuvent s'enflammer et provoquer des incendies.

- NE placez JAMAIS de matériaux inflammables sur le poêle.
- Assurez-vous qu'AUCUN objet inflammable ne se trouve sur le poêle de sauna avant d'allumer la commande.

- Appuyez sur le commutateur MARCHE/ARRÊT [6] pour mettre la commande de sauna en marche.
 - ▶ Le message « 0 » apparaît pendant quelques secondes sur l'affichage de l'humidité [1]. L'humidité actuelle de la cabine est ensuite affichée. Si aucune sonde de température-humidité n'est installée, la dernière valeur de consigne d'humidité est affichée.
 - ▶ Le message « 0 » apparaît pendant quelques secondes sur l'affichage de température [4]. La température de la cabine est ensuite affichée. Lors du fonctionnement à une sonde, la dernière température de consigne réglée apparaît.

9.4. Activation du mode sauna

1. Réglez la température souhaitée à l'aide du sélecteur de température [3].
 - ▶ Le sélecteur de température [3] clignote et la température de consigne réglée apparaît sur l'affichage de température [4].
2. Appuyez sur le sélecteur de température [3].
 - ▶ Le poêle de sauna se met en marche et commence à chauffer.
 - ▶ La température actuelle de la cabine apparaît sur l'affichage de température [4]. Lors du fonctionnement à une sonde, la température de consigne est affichée.

9.5. Activation du mode mixte

1. Réglez la température souhaitée à l'aide du sélecteur de température [3].
 - ▶ Le sélecteur de température [3] clignote et la température de consigne réglée apparaît sur l'affichage de température [4].
2. Appuyez sur le sélecteur de température [3].
 - ▶ Le poêle de sauna se met en marche et commence à chauffer.
 - ▶ La température actuelle de la cabine apparaît sur l'affichage de température [4]. Lors du fonctionnement à une sonde, la température de consigne est affichée.
3. Choisissez l'humidité souhaitée à l'aide du sélecteur d'humidité [2].
 - ▶ Le sélecteur d'humidité [2] clignote et la valeur d'humidité de consigne réglée apparaît sur l'affichage de l'humidité [1].
4. Appuyez sur le sélecteur d'humidité [2].
 - ▶ L'évaporateur est mis en marche.
 - ▶ L'humidité actuelle de la cabine apparaît sur l'affichage d'humidité [1]. Si aucune sonde de température-humidité n'est installée, l'humidité de consigne est affichée.



Exploiter la commande de sauna sans sonde d'humidité et de température (FTS2) permet d'activer le mode cadencé. L'évaporateur sera en service pendant dix minutes sans interruption si la température de cabine devient inférieure à 30 °C. Cela permet à l'eau du réservoir d'atteindre une température de base. Le mode cadencé se met ensuite en marche.



L'évaporateur ne peut être démarré que lorsque le poêle de sauna est allumé. L'humidité de consigne maximale pouvant être réglée dépend de la température du sauna. Plus la température du sauna est élevée, plus la valeur de l'humidité réglable maximale est basse.

Exception : Le mode simple de l'évaporateur est activé (cf. **8.4. Activation de l'évaporateur en mode simple page 25**). Il est possible dans ce cas de figure de mettre l'évaporateur en marche, la température de la cabine déterminant l'humidité maximum.

9.6. Modification de la température de consigne

Vous pouvez modifier la température de consigne à tout moment durant le fonctionnement.

- Tournez le sélecteur de température **[3]** vers la droite pour augmenter la température.
Tournez le sélecteur de température **[3]** vers la gauche pour réduire la température.
 - ▶ Le sélecteur de température **[3]** clignote et la température de consigne réglée apparaît sur l'affichage de température **[4]**.
 - ▶ La température actuelle de la cabine apparaît à nouveau sur l'affichage de température **[4]**. Lors du fonctionnement à une sonde, la température de consigne est affichée.

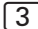

9.7. Modification de l'humidité de consigne

Vous pouvez modifier l'humidité de consigne à tout moment durant le fonctionnement.

- Tournez le sélecteur d'humidité **[2]** vers la droite pour augmenter l'humidité.
Tournez le sélecteur d'humidité **[2]** vers la gauche pour diminuer l'humidité.
 - ▶ Le sélecteur d'humidité **[2]** clignote et la valeur d'humidité de consigne réglée apparaît sur l'affichage de l'humidité **[1]**.
 - ▶ L'humidité actuelle de la cabine apparaît à nouveau sur l'affichage de l'humidité **[1]**. Si aucune sonde de température-humidité n'est installée, l'humidité de consigne est affichée.

9.8. Activation du mode de veille de l'actionnement à distance

La norme EN 60335-2-53 exige l'activation manuelle du « mode de veille d'actionnement à distance » des commandes de sauna à fonction de démarrage à distance. Il faudra procéder à cette activation après l'exécution de chaque procédure de démarrage ou d'arrêt à distance. À cet effet, suivez les étapes suivantes :

1. Appuyez sur le sélecteur de température  pendant trois secondes.
 - ▶ L'affichage de démarrage à distance  clignote.
 - ▶ Le système de démarrage et d'arrêt de la commande de sauna par signal à distance est maintenant opérationnel.
 - ▶ L'affichage de démarrage à distance s'éteindra après l'exécution de chaque procédure de démarrage ou d'arrêt à distance ; il faudra également réactiver le mode de fonctionnement.

9.9. Réglage de la marche programmée



AVERTISSEMENT

Risque d'incendie

Des objets inflammables se trouvant sur le poêle de sauna brûlant peuvent s'enflammer et provoquer des incendies.

- NE placez JAMAIS de matériaux inflammables sur le poêle.
- Assurez-vous qu'AUCUN objet inflammable ne se trouve sur le poêle avant d'activer la fonction de marche programmée du sauna.

Vous pouvez régler l'horaire de la marche programmée par paliers de 15 minutes. La marche programmée maximale est de 24 h. La marche programmée est affichée en heures et en minutes, par ex. 8 heures et 15 minutes seront affichées : 8.15.

1. Activez le mode sauna ou le mode mixte (voir étapes **9.4** et **9.5**).
2. Appuyez sur le sélecteur de marche programmée **[7]**.
 - ▶ Le sélecteur de température **[3]** clignote et la dernière marche programmée réglée apparaît sur l'affichage de température **[4]**.
3. Appuyez sur le sélecteur de marche programmée **[7]** pour augmenter la marche programmée par paliers de 15 minutes.
4. Lorsque vous avez atteint la durée de marche programmée souhaitée, attendez quelques secondes.
 - ▶ La commande de sauna passe en mode veille et le minuteur se met en marche.
 - ▶ Affichage de température **[4]** : indication de la marche programmée restante avec clignotement du sélecteur de température **[3]**.
 - ▶ Une fois l'horaire de marche programmée atteint, le mode sélectionné s'active.



La dernière marche programmée étant sauvegardée, une pression de touche suffit ainsi pour appeler la dernière valeur. Pour remettre la marche programmée à 00:00, appuyer trois secondes sur la touche de marche programmée.

9.10. Désactivation de la fonction de marche programmée

- Appuyez sur le sélecteur de marche programmée [7] et maintenez-le enfoncé durant trois secondes afin de désactiver la fonction de marche programmée.
 - ▶ Le décompte jusqu'à la mise en marche programmée est interrompu.
 - ▶ La température actuelle de la cabine apparaît sur l'affichage de température [4]. Lors du fonctionnement à une sonde, la température de consigne est affichée.

9.11. Arrêt du programme de séchage final

Le programme de séchage final démarre automatiquement après le mode mixte. La cabine de sauna est alors chauffée à 80 °C pendant environ 30 minutes avec le ventilateur activé. Le message « dry » apparaît sur l'affichage de température [4].

- Appuyez sur le sélecteur de température [3] et maintenez-le enfoncé durant trois secondes afin d'arrêter le programme de séchage final.



Afin d'éviter la formation de moisissure et de pourriture, le programme de séchage rapide ne doit PAS être interrompu.

9.12. Arrêter le fonctionnement du sauna

- Appuyez sur le sélecteur de température [3].
 - ▶ Le poêle de sauna s'éteint. Après l'opération combinée (au moins 3 minutes), le programme de post-séchage démarre automatiquement.

FR

9.13. Arrêt de la commande de sauna

- Appuyez sur le commutateur MARCHE/ARRÊT [6] pour arrêter la commande de sauna.
 - ▶ L'affichage de l'humidité [1] et l'affichage de température [4] s'éteignent.
 - ▶ La commande de sauna est éteinte.

10. Nettoyage et entretien

10.1. Nettoyage

ATTENTION

Endommagement de l'appareil

La commande de sauna est protégée contre les projections d'eau, mais un contact direct avec de l'eau peut quand même endommager l'appareil.

- Ne plongez JAMAIS l'appareil dans l'eau.
 - Ne versez JAMAIS d'eau sur l'appareil.
 - Ne nettoyez pas l'appareil avec trop d'eau.
-

1. Imbibez un chiffon de savon doux.
2. Essorez bien le chiffon.
3. Essuyez le boîtier de la commande de sauna avec précaution.

10.2. Entretien

La commande de sauna ne nécessite aucun entretien.

11. Élimination



- Éliminez les matériaux d'emballage conformément aux directives d'élimination en vigueur.
- Les appareils usagés contiennent des matériaux recyclables, mais aussi des substances toxiques. Par conséquent, ne jetez en aucun cas votre appareil usagé avec les déchets ménagers. Éliminez-le conformément aux directives locales en vigueur.

12. Dépannage

12.1. Messages d'erreur

La commande de sauna est équipée d'un logiciel de diagnostic qui contrôle l'état du système pendant la mise en marche et le fonctionnement. Dès que le logiciel de diagnostic détecte une erreur, la commande de sauna éteint le poêle.

Les erreurs vous sont signalées par un signal sonore répétitif et par le clignotement du sélecteur d'humidité [2] et du sélecteur de température [3]. De plus, le message « Err » apparaît sur l'affichage de l'humidité [1]. Le numéro de l'erreur apparaît sur l'affichage de température [4].

Arrêtez la commande de sauna à l'aide du commutateur MARCHE/ARRÊT [6] sur l'élément de commande et éliminez l'erreur avant de rallumer la commande de sauna.

Le tableau ci-dessous décrit les erreurs possibles et leurs causes. Si nécessaire, indiquez le numéro de l'erreur à votre service clientèle.

<i>Erreur</i>	<i>Description</i>	<i>Cause/Solution</i>
01	Arrêt de sécurité	Un objet est posé sur le poêle de sauna. Enlevez-le avant de remettre en service le poêle. S'il n'y a pas de dispositif d'arrêt de sécurité, reportez-vous à 5.8. Branchement du dispositif d'arrêt de sécurité page 19.
02	Limiteur de température de sécurité	La température maximale de 139 °C au-dessus du poêle a été dépassée.
04F1	Dysfonctionnement de la sonde de poêle	Sonde de poêle défectueuse, mauvais contact ou court-circuit
06F2	Dysfonctionnement de la sonde de banc	Sonde de banc défectueuse, mauvais contact ou court-circuit
07	Dysfonctionnement de la sonde d'humidité	Sonde d'humidité défectueuse, mauvais contact ou court-circuit

12.2. Affichage du manque d'eau

La commande de sauna dispose, en mode mixte, d'un arrêt automatique en cas de manque d'eau (si votre poêle mixte est compatible avec cette fonction).

Si le réservoir d'eau de l'évaporateur est vide, ceci vous est signalé par un signal sonore répétitif et le message « **FILL** » sur l'affichage de l'humidité 1. L'évaporateur s'arrête simultanément.

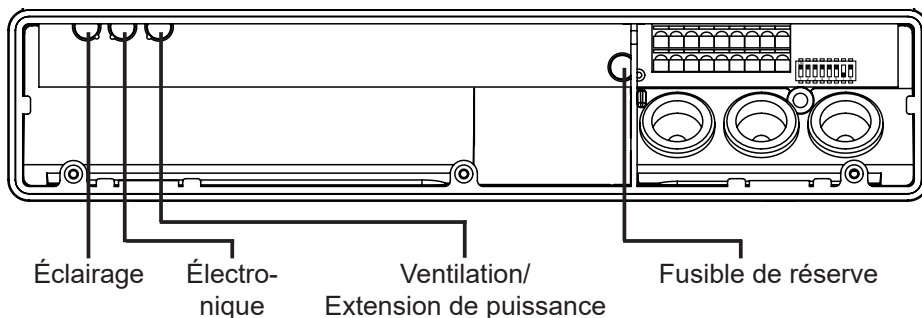
- Remplissez le réservoir d'eau.
 - ▶ Après un court instant, le message « FILL » s'éteint et l'évaporateur recommence à chauffer.

12.3. Fusibles

Les fusibles (ainsi qu'un exemplaire de réserve) de l'éclairage, de la ventilation/extension de puissance et des composants électroniques se trouvent dans la zone de raccordement de la commande du sauna.

Ce sont des microfusibles à retardement d'1 A.

Veuillez mentionner la référence PRO-FUSE pour les commander.



Remplacement de fusible : retirez tout droit l'empîement et insérez l'exemplaire neuf.

13. Caractéristiques techniques

Conditions ambiantes

Température de stockage :	de -25 °C à +70 °C
Température ambiante :	de -10 °C à +40 °C
Humidité de l'air :	max. 95 %

Commande de sauna

Dimensions :	307 x 175 x 57 mm
Tension de commutation/triphasée 3N :	400 V CA
Fréquence :	50 Hz
Puissance de commutation/radiateur :	3 x 3,5 kW
Courant de commutation par phase/radiateur :	16 A
Puissance de commutation/évaporateur :	3,5 kW
Courant de commutation/évaporateur :	16 A
Tension nominale :	230 V
Degré de protection (protection contre les projections d'eau) :	IPX4
Raccordement au réseau d'alimentation en raccordement fixe	

Éclairage

Puissance de commutation :	100 W
Fusible :	1A T

Ventilateur

Puissance de commutation :	100 W
Fusible :	1A T

Plages de réglage

Température :	de 30 °C à 110 °C
Humidité :	de 0 % à 100 %

L'humidité maximale pouvant être réglée dépend de la température du sauna. Plus la température du sauna est élevée, plus la valeur de l'humidité réglable maximale est basse.

Sécurité thermique

Sonde de poêle avec dispositif de protection contre la surtempérature (température de déclenchement : 139 °C)

Limitation automatique du temps de chauffage réglable (6 h, 12 h, 18 h, 24 h)*

Au choix, fonctionnement à une ou deux sondes

Câbles de raccordement

Câble d'alimentation :	min. 5x2,5mm ²
Câble de poêle (résistant à une température allant jusqu'à 150 °C) :	min. 2,5 mm ²
Câbles de sondes (résistant à une température allant jusqu'à 150 °C) :	min. 0,5 mm ²
Câble d'éclairage :	min. 1,5 mm ²
Câble de ventilateur :	min. 1,5 mm ²

* La norme EN 60335-2-53 prévoit une limitation de la durée de chauffage de 6 h pour les saunas privés. Pour les saunas dans les hôtels, les immeubles et les endroits similaires, la limitation de la durée de chauffage autorisée est de 12 h. Une extension de la limitation de la durée de chauffage à 18 h ou à 24 h est autorisée pour les saunas publics uniquement.

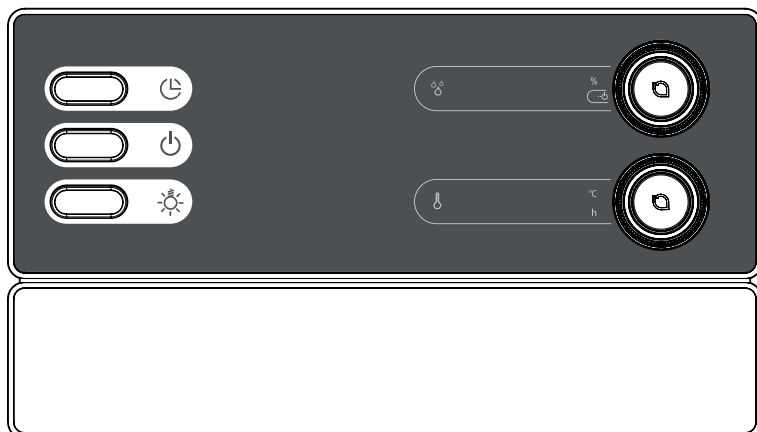
Comando della sauna

Pro B3

PRO-B3

ISTRUZIONI DI MONTAGGIO E D'USO

Italiano



IT

Indice

1. Informazioni sul presente manuale	5
2. Importanti indicazioni per la sicurezza personale	6
2.1. Conformità d'uso	6
2.2. Indicazioni di sicurezza per l'installatore	7
2.3. Indicazioni di sicurezza per l'utilizzatore	8
3. Descrizione del prodotto	9
3.1. Dotazione	9
3.2. Accessori opzionali	9
3.3. Funzioni del prodotto	9
3.4. Modalità di funzionamento della sauna	10
3.5. Modalità di funzionamento con sensori	10
4. Montaggio	12
4.1. Montaggio del comando della sauna	12
4.2. Montaggio del sensore della stufa F1 con il fusibile termico di protezione	14
4.3. Montaggio del sensore della panca F2 (opzionale)	15
4.4. Montaggio del sensore di temperatura e di umidità FTS2 (opzionale)	15
5. Collegamento elettrico	16
5.1. Collegamento del cavo di alimentazione, del cavo della stufa e del cavo dell'evaporatore	17
5.2. Collegamento del cavo della luce	17
5.3. Collegamento del ventilatore (opzionale)	18
5.4. Collegamento dell'ampliamento della potenza (opzionale)	18
5.5. Collegamento del sensore della stufa F1	18
5.6. Collegamento del sensore della panca F2 (opzionale)	18
5.7. Collegamento del sensore di temperatura e di umidità FTS2 (opzionale)	19

5.8.	Collegamento del dispositivo di sicurezza per lo spegnimento automatico.....	19
5.9.	Avvio remoto.....	20
5.10.	Conclusione dell'installazione.....	20
6.	Esecuzione delle prove.....	21
7.	Schema di collegamento.....	23
8.	Messa in funzione.....	24
8.1.	Impostazione della limitazione del tempo di riscaldamento.....	24
8.2.	Attivazione e disattivazione dell'attivazione singola delle fasi.....	25
8.3.	Attivazione e disattivazione del funzionamento del sensore a membrana.....	25
8.4.	Attivazione funzionamento singolo evaporatore.....	25
8.5.	Visualizzazione della temperatura della stufa nel funzionamento con un sensore.....	26
9.	Impiego.....	27
9.1.	Elementi di comando.....	27
9.2.	Attivazione della luce.....	27
9.3.	Accensione del comando della sauna.....	28
9.4.	Avvio del funzionamento della sauna.....	28
9.5.	Avvio del funzionamento combinato.....	29
9.6.	Modifica della temperatura nominale.....	30
9.7.	Modifica del valore nominale dell'umidità.....	30
9.8.	Attivazione Stand-by per telecomando.....	31
9.9.	Impostazione della preselezione oraria.....	32
9.10.	Interruzione della funzione preselezione oraria.....	33
9.11.	Interruzione del programma di asciugatura successiva.....	33
9.12.	Saunabetrieb ausschalten.....	33

9.13. Spegnimento del comando della sauna.....	33
10. Pulizia e manutenzione.....	34
10.1. Pulizia.....	34
10.2. Manutenzione.....	34
11. Smaltimento.....	34
12. Risoluzione dei problemi.....	35
12.1. Messaggi di errore.....	35
12.2. Indicazione di mancanza d'acqua.....	36
12.3. Fusibili.....	36
13. Specifiche tecniche.....	37

1. Informazioni sul presente manuale

Leggere dettagliatamente le presenti istruzioni di montaggio e d'uso e conservarle in prossimità della sauna. Così facendo è possibile in ogni momento controllare le informazioni sulla sicurezza personale e il comando.



Le presenti istruzioni di montaggio e d'uso si trovano anche nell'area di download della nostra pagina web all'indirizzo: www.sentiotec.com/downloads.

Simboli nelle avvertenze

Nelle presenti istruzioni di montaggio e d'uso, prima di ogni attività che genera un pericolo, è applicata un'avvertenza. Osservare sempre queste avvertenze. Così facendo, si evitano danni a beni materiali e lesioni che, nel peggiore dei casi, possono essere addirittura mortali.

Nelle avvertenze vengono utilizzati pittogrammi che hanno i seguenti significati:



PERICOLO!

L'inosservanza di questa avvertenza può causare lesioni gravi o addirittura mortali.



AVVERTENZA!

L'inosservanza di questa avvertenza può causare lesioni gravi o addirittura mortali.



ATTENZIONE!

L'inosservanza di questa avvertenza può causare lesioni lievi.

ATTENZIONE!

Questo pittogramma avverte della possibilità di danni a beni materiali.

Altri simboli



Questo simbolo indica consigli e indicazioni utili.

2. Importanti indicazioni per la scurezza personale

Il comando della sauna Pro B3 è costruito secondo le regole di sicurezza tecnica riconosciute. Tuttavia, durante l'utilizzo, possono presentarsi pericoli. Osservare pertanto le seguenti indicazioni di sicurezza e le avvertenze speciali riportate nei singoli capitoli. Osservare anche le indicazioni di sicurezza degli apparecchi collegati.

2.1. Conformità d'uso

Il comando della sauna Pro B3 serve esclusivamente per comandare e regolare le funzioni in base ai dati tecnici.

Il comando della sauna Pro B3 può essere utilizzato esclusivamente per il comando e la regolazione di una stufa per sauna omologata secondo la prova di copertura della stufa ai sensi della direttiva EN 60335-2-53 paragrafo 19.101. Se la stufa non soddisfa questo requisito, devono essere prese le opportune misure di sicurezza (ad es.: per disinserimento di sicurezza vedi **5.8** a pagina **19**).

Il comando della sauna Pro B3 può essere impiegato esclusivamente per il comando e la regolazione di 3 circuiti termici con una potenza termica max di 3,5 kW per circuito. La potenza max dell'evaporatore corrisponde a 3,5 kW.

Qualsiasi altro utilizzo è considerato improprio. Un utilizzo improprio può causare danni al prodotto e lesioni gravi o mortali.

2.2. Indicazioni di sicurezza per l'installatore

- Il montaggio deve essere eseguito solo da elettricisti o da persone con una qualifica simile.
- I lavori da effettuare sul comando della sauna devono essere eseguiti solo in assenza di tensione.
- Per l'installazione, predisporre sul posto un dispositivo di separazione su tutti i poli con disinnesto totale corrispondente alla categoria di sovratensione III.
- Montare il comando della sauna all'esterno della cabina, a un'altezza di ca. 1,70 m o conformemente alle indicazioni del produttore della cabina. La temperatura ambiente deve essere compresa fra -10°C e $+40^{\circ}\text{C}$.
- Installare il sensore della stufa in modo che il suo funzionamento non venga condizionato dall'aria in ingresso.
- Il cavo di alimentazione della stufa deve avere una sezione pari ad almeno $2,5\text{ mm}^2$ e deve essere resistente fino a una temperatura di 150°C .
- Osservare anche le disposizioni locali valide sul posto di installazione.
- Qualora si presentassero problemi non trattati in modo esaustivo nelle presenti istruzioni di montaggio, per la vostra sicurezza, vi preghiamo di rivolgervi al vostro fornitore.

2.3. Indicazioni di sicurezza per l'utilizzatore

- Il comando della sauna non deve essere utilizzato da bambini di età inferiore agli 8 anni.
- Il comando della sauna può essere utilizzato da bambini sopra gli 8 anni di età, da persone con capacità fisiche, sensoriali o mentali limitate o prive della sufficiente esperienza e del know-how necessari nei seguenti casi:
 - se sono in presenza di persone responsabili per loro,
 - se è stato spiegato loro come utilizzare l'apparecchio in modo sicuro e sono chiari i pericoli che ne possono derivare.
- Ai bambini non è permesso giocare con il comando della sauna.
- I bambini al di sotto dei 14 anni possono pulire il comando della sauna solo in presenza di adulti.
- Se si è sotto l'effetto di alcol, medicinali o droghe, per motivi di salute, evitare di andare in sauna.
- Prima di accendere il comando della sauna, assicurarsi che sulla stufa per sauna non si trovino oggetti infiammabili.
- Prima di attivare la funzione di preselezione oraria o la modalità stand-by per l'avvio remoto, assicurarsi che sulla stufa non siano presenti oggetti infiammabili.
- Qualora si presentassero problemi non trattati in modo esaustivo nelle istruzioni per l'uso, per la vostra sicurezza, vi preghiamo di rivolgervi al vostro fornitore.

3. Descrizione del prodotto

3.1. Dotazione

- Comando della sauna
- Sensore della stufa con fusibile termico di protezione integrato
- Materiale di montaggio
- Ponticello per il cavallottamento dei morsetti **V1** e **Wm** per stufe combinate senza spegnimento in mancanza di acqua

3.2. Accessori opzionali

- Sensore della panca (numero articolo: O-F2)
- Sensore di temperatura e di umidità (numero articolo: O-FTS2)
- Ampliamento della potenza (numero articolo: O-S2-18 / O-S2-30)
- Dispositivo di sicurezza per lo spegnimento automatico (numero articolo: SFE-xxxxx)
- Web server pronet (n. articolo: PRO-NET)

3.3. Funzioni del prodotto

Il comando della sauna Pro B3 dispone delle seguenti funzioni:

- Regolazione di stufe combinate fino a una potenza termica di 10,5 kW e fino a una potenza dell'evaporatore di 3,5 kW in un intervallo di temperatura compreso fra 30°C e 110°C e in un intervallo di umidità compreso fra 5 e 100%.
- Grazie all'ampliamento della potenza, il potere di rottura massimo può essere aumentato da 10,5 kW a 18/30 kW.
- Funzione di avvio remoto
- Funzione di preselezione oraria (fino a 24 ore)
- Limitazione automatica del tempo di riscaldamento
Per motivi di sicurezza, il comando della sauna si disattiva automaticamente una volta superato il tempo di riscaldamento massimo. Il tempo di riscaldamento massimo può essere impostato a 6 h, 12 h, 18 h o 24 h.
- Programma di asciugatura successiva
Dopo la modalità combinata viene avviato automaticamente il programma di asciugatura successiva per impedire la formazione di muffe nella cabina della sauna. In questo modo la cabina della sauna viene riscaldata per 30 minuti a 80°C mentre il ventilatore è attivato.

- **Fusibile termico di protezione**
Il fusibile termico di protezione è installato nell'alloggiamento del sensore della stufa. Se dopo che è stata raggiunta la temperatura desiderata, la stufa per sauna continua a riscaldare a causa di un guasto, il fusibile termico di protezione disattiva automaticamente la stufa quando vengono raggiunti i 139°C.

3.4. Modalità di funzionamento della sauna

Il comando della sauna Pro B3 consente due modalità di funzionamento: funzionamento sauna e funzionamento combinato.

Funzionamento della sauna

Durante il funzionamento della sauna è presente aria calda e secca. La temperatura nella cabina è elevata (80-100°C). Il livello di umidità è basso e corrisponde al massimo al 10%.

Funzionamento combinato

Nel funzionamento combinato oltre alla stufa per sauna è in funzione anche l'evaporatore. La temperatura nella cabina della sauna è inferiore (ca. 40-65°C) rispetto a quella durante il funzionamento della sauna, mentre l'umidità relativa dell'aria è decisamente maggiore, con valori compresi fra 35% e 70%. In questo caso il valore nominale massimo impostabile per l'umidità dipende dalla temperatura presente nella sauna. Maggiore è la temperatura, minore sarà il valore massimo impostabile per l'umidità.

3.5. Modalità di funzionamento con sensori

Il comando della sauna può essere fatto funzionare con uno o due sensori. Come secondo sensore può essere utilizzato un sensore di temperatura (sensore della panca, F2) o un sensore di temperatura e umidità (FTS2).

Funzionamento con un sensore (F1)

Attivare il funzionamento con un sensore durante la messa in funzione del comando della sauna (vedi **8.3. Attivazione e disattivazione del funzionamento del sensore a membrana** a pagina 25).

Nel funzionamento con un sensore, il comando della sauna viene fatto funzionare solo insieme al sensore della stufa con fusibile termico di protezione (F1). Questo sensore è incluso nella dotazione.

Nel funzionamento a un sensore, il comando della sauna di serie visualizza solamente la temperatura nominale. La temperatura effettiva non viene visualizzata. Se il comando della sauna nel funzionamento con un sensore indica la temperatura attraverso la stufa (sensore F1) come temperatura effettiva, deve essere attivato al momento della messa in funzione (vedi **8.5. Visualizzazione della temperatura della stufa nel funzionamento con un sensore** a pagina 26).

Il valore massimo impostabile per l'umidità è legato alla temperatura presente sopra la stufa e l'umidità viene regolata a tempo. Nel display del comando della sauna viene visualizzato solamente il valore nominale relativo all'umidità (umidità relativa dell'aria in valore percentuale). Nella modalità con umidità temporizzata, l'umidità effettiva presente nella cabina della sauna è legata alle dimensioni della cabina e alla potenza dell'evaporatore e può differire dal valore nominale impostato.

Funzionamento con due sensori con l'impiego del sensore della panca (F2)

Nel funzionamento con due sensori con l'impiego del sensore della panca, sulla panca posteriore della sauna viene montato un secondo sensore della temperatura (sensore della panca). Il comando della sauna visualizza come temperatura effettiva la temperatura misurata dal sensore della panca.

Nel funzionamento con due sensori con l'impiego del sensore della panca, l'umidità viene regolata a tempo. Nel display del comando della sauna viene visualizzato solamente il valore nominale relativo all'umidità (umidità relativa dell'aria in valore percentuale). Nella modalità con umidità temporizzata, l'umidità effettiva presente nella cabina della sauna è legata alle dimensioni della cabina e alla potenza dell'evaporatore e può differire dal valore nominale impostato.

Funzionamento con due sensori con l'impiego del sensore di temperatura e di umidità (FTS2)

Se nel funzionamento con due sensori viene impiegato il sensore di temperatura e di umidità, il comando della sauna visualizza come temperatura effettiva la temperatura misurata da questo sensore.

Nel funzionamento con due sensori e con l'impiego del sensore di temperatura e di umidità, l'evaporatore viene regolato in base all'umidità misurata all'interno della cabina. Nel display del comando della sauna viene visualizzato solamente il valore effettivo relativo all'umidità presente nella cabina della sauna (umidità relativa dell'aria in valore percentuale).

4. Montaggio

4.1. Montaggio del comando della sauna

ATTENZIONE!***Danni all'apparecchio***

Il comando della sauna è protetto dagli spruzzi d'acqua, tuttavia il contatto diretto con l'acqua può danneggiare l'apparecchio.

- Montare il comando della sauna in un luogo asciutto, con un'umidità massima dell'aria non superiore al 95%.
-

ATTENZIONE!***Fonti di interferenza compromettono la trasmissione dei segnali***

- Posare tutti i cavi dei sensori in modo che siano separati da altri cavi di alimentazione e dai cavi di comando.
 - Proteggere i cavi isolati in maniera insufficiente con un tubo (doppio isolamento).
-

Durante il montaggio del comando della sauna osservare i seguenti punti:

- Montare il comando della sauna all'esterno della cabina o conformemente alle indicazioni del produttore della cabina.
- La temperatura ambiente deve essere compresa fra -10°C e $+40^{\circ}\text{C}$.
- Tutti i sensori possono essere collegati solamente con i rispettivi cavi in dotazione, che sono resistenti fino a una temperatura di 150°C .



I cavi dei sensori possono essere prolungati in presenza delle seguenti condizioni:

- Impiego di un cavo isolato in silicone resistente fino a una temperatura di 150°C .
 - La sezione minima del cavo è di $0,5\text{ mm}^2$.
 - I cavi del sensore della stufa NON devono superare la lunghezza massima di 10 m.
-

Per il montaggio del comando della sauna eseguire i seguenti passaggi:

1. Avvitare due viti con intaglio a croce (16 mm) sulla parete della sauna a un'altezza di ca. 1,70 m e lasciandole fuoriuscire per una distanza max di 7 mm. Entrambe le viti devono essere posizionate a una distanza di 145 mm l'una dall'altra (vedi Fig. 1).

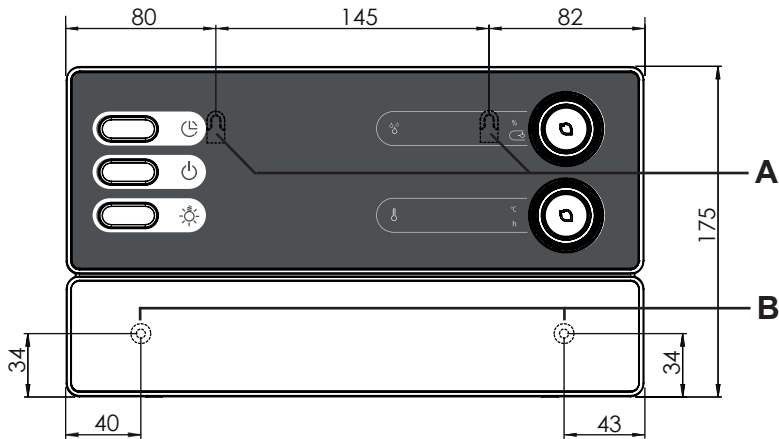


Fig. 1 Posizione del dispositivo di sospensione e dei fori di montaggio (misure in mm)

2. Utilizzando un cacciavite, premere leggermente le chiusure a scatto **C** e rimuovere il coperchio dell'alloggiamento (vedi Fig. 2).
3. Con l'ausilio del dispositivo di sospensione **A**, agganciare il comando della sauna alle viti con intaglio a croce montate (vedi Fig. 1).
4. Avvitare 2 viti con intaglio a croce (16 mm) nei fori di fissaggio inferiori **B** (vedi Fig. 1).

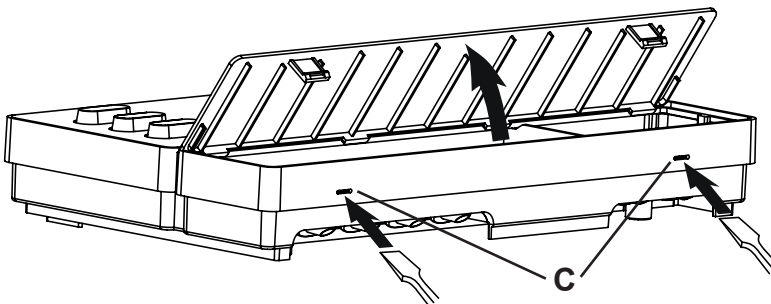


Fig. 2 Rimozione del coperchio dell'alloggiamento

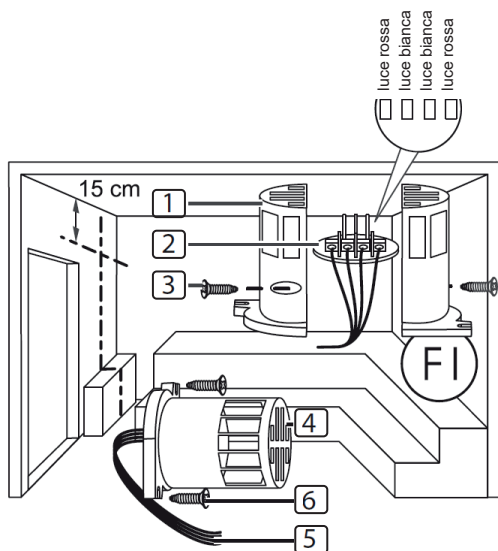
4.2. Montaggio del sensore della stufa F1 con il fusibile termico di protezione

Durante il montaggio del sensore della stufa osservare i seguenti punti:

- Montare il sensore sul lato posteriore della stufa, posizionandolo sopra il punto centrale della stufa. In tal caso rispettare una distanza di ca. 15 cm dal soffitto della cabina.
- Installare il sensore della stufa in modo che il suo funzionamento non venga condizionato dall'aria in ingresso.

Per il montaggio del sensore della stufa eseguire i seguenti passaggi (vedi **Fig. 3**):

1. Posare i 2 cavi a 2 poli del sensore della stufa nella parete della cabina della sauna fino alla posizione di montaggio del sensore della stufa e fissare i cavi con le fascette serracavi.
2. Separare i 2 semigusci [1] del sensore della stufa.
3. Collegare i 4 pin del cavo del sensore della stufa [5] conformemente alla **Fig. 3**.
4. Posizionare la piastra di collegamento [2] nei semigusci del sensore in senso trasversale (come indicato nella **Fig. 3**).
5. Chiudere i semigusci, avvitarli con le 2 viti con intaglio a croce [3] (9 mm) e controllare se il sensore della stufa è perfettamente chiuso.
6. Montare il sensore della stufa sul lato posteriore della stufa utilizzando le 2 viti per legno in dotazione [6] (16 mm).



- 1 Semigusci del sensore della stufa
- 2 Piastra di collegamento
- 3 Viti con intaglio a croce (9 mm)
- 4 Sensore della stufa
- 5 Cavi del sensore della stufa
- 6 Viti per legno (16 mm)

Fig. 3 Montaggio del sensore della stufa

4.3. Montaggio del sensore della panca F2 (opzionale)

Montare il sensore della panca sulla parete della cabina posizionandolo sopra la panca posteriore. In tal caso rispettare una distanza di ca. 15 cm dal soffitto della cabina.

Per il montaggio del sensore della panca eseguire i seguenti passaggi:

1. Posare il cavo a 2 poli del sensore della panca nella parete della cabina della sauna fino alla posizione di montaggio del sensore della panca e fissare i cavi con le fascette serracavi.
2. Separare i 2 semigusci del sensore della panca.
3. Collegare i due raccordi del cavo del sensore della panca ai due morsetti centrali della piastra di collegamento.
4. Posizionare la piastra di collegamento nei semigusci del sensore della panca in senso trasversale.
5. Chiudere i semigusci e avvitarli con le 2 viti con intaglio a croce (9 mm).
6. Controllare se il sensore della panca è perfettamente chiuso.
7. Montare il sensore della panca sulla parete della cabina utilizzando le 2 viti per legno in dotazione (16 mm). In tal caso rispettare una distanza di 15 cm dal soffitto della cabina.

4.4. Montaggio del sensore di temperatura e di umidità FTS2 (opzionale)

Montare il sensore di temperatura e di umidità sulla parete della cabina posizionandolo sopra la panca posteriore. In tal caso rispettare una distanza di ca. 15 cm dal soffitto della cabina.

Per il montaggio del sensore di temperatura e di umidità eseguire i seguenti passaggi:

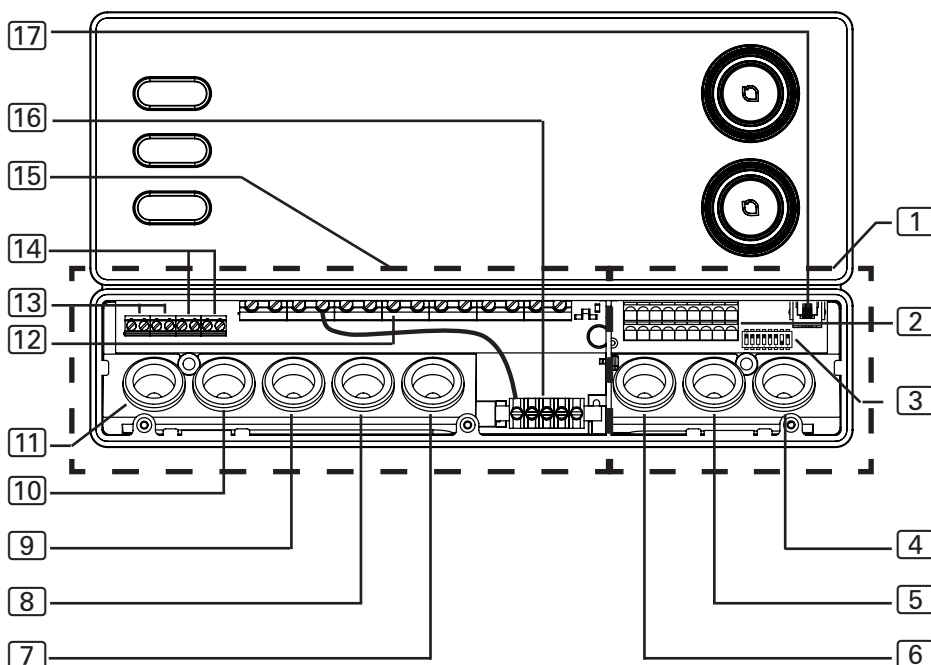
1. Posare il cavo a 5 poli del sensore nella parete della cabina della sauna fino alla posizione di montaggio del sensore di temperatura e di umidità e fissare i cavi con le fascette serracavi.
2. Montare il sensore di temperatura e di umidità sulla parete della cabina utilizzando le due viti per legno in dotazione (16 mm). In tal caso rispettare una distanza di 15 cm dal soffitto della cabina.

5. Collegamento elettrico

ATTENZIONE!

Danni all'apparecchio

- Il comando della sauna può essere impiegato esclusivamente per il comando e la regolazione di 3 circuiti termici con una potenza termica max di 3,5 kW per ogni circuito. La potenza max dell'evaporatore corrisponde a 3,5 kW.



1 Zona di collegamento per la bassa tensione

2 Morsettiere per dispositivo di sicurezza per lo spegnimento automatico, avvio remoto e cavi dei sensori

3 Selettore di funzioni

4 Passacavo per i sensori F2 e FTS2

5 Passacavo per il sensore F1

6 Passacavo per il dispositivo di sicurezza per lo spegnimento automatico e l'avvio remoto

7 Passacavo per l'uscita supplementare

8 Passacavo per il cavo della stufa

9 Passacavo per il cavo di alimentazione

10 Passacavo per l'ampliamento della potenza

11 Passacavo per luce e ventilatore

12 Morsettiere per il cavo della stufa, dell'evaporatore e dell'alimentazione

13 Morsettiere per luce e ventilatore

14 Morsettiere per l'ampliamento della potenza

15 Zona di collegamento per l'alimentazione a 230 V / 400 V

16 Barra di messa a terra

17 Boccia RJ45 per RS-485 e pronet

Durante il collegamento elettrico del comando della sauna osservare i seguenti punti:

- Il montaggio deve essere eseguito solo da elettricisti o da persone con una qualifica simile.



Prestare attenzione che in caso di richiesta delle prestazioni di garanzia è necessario presentare una copia della fattura rilasciata dalla ditta di elettricisti.

- I lavori da effettuare sul comando della sauna devono essere eseguiti solo in assenza di tensione.
- L'alimentazione elettrica deve essere garantita mediante un collegamento fisso.
- Per l'installazione, predisporre sul posto un dispositivo di separazione su tutti i poli con disinnesto totale corrispondente alla categoria di sovratensione III.
- Osservare lo schema di collegamento (**Fig. 4**) a pagina **23**.

5.1. Collegamento del cavo di alimentazione, del cavo della stufa e del cavo dell'evaporatore

1. Far passare il cavo di alimentazione, il cavo della stufa e il cavo dell'evaporatore attraverso i passacavi **9**, **8**, **7** nel campo di collegamento per 230 V / 400 V **15**.
2. Collegare i cavi di alimentazione alla morsettiera **12** secondo lo schema di collegamento. Osservare in tal caso le istruzioni per l'uso dei rispettivi apparecchi.
3. Se l'evaporatore non dispone di una funzione di spegnimento automatico in mancanza d'acqua, eseguire anche il seguente passaggio:
 - Utilizzando il ponticello in dotazione, collegare il morsetto "**V1**" al morsetto "**Wm**".

5.2. Collegamento del cavo della luce

1. Far passare il cavo della luce attraverso il passacavo **11** e inserirlo nella zona di collegamento per la tensione a 230 V / 400 V **15**.
2. Collegare il cavo della luce alla morsettiera **13** secondo lo schema di collegamento. Osservare in tal caso le istruzioni per l'uso del rispettivo apparecchio.

5.3. Collegamento del ventilatore (opzionale)

1. Far passare il cavo del ventilatore attraverso il passacavo **[11]** e inserirlo nella zona di collegamento per la tensione a 230 V / 400 V **[15]**.
2. Collegare il cavo del ventilatore alla morsettiera **[13]** secondo lo schema di collegamento. Osservare in tal caso le istruzioni per l'uso del rispettivo apparecchio.

5.4. Collegamento dell'ampliamento della potenza (opzionale)

1. Far passare il cavo dell'ampliamento della potenza attraverso il passacavo **[10]** e inserirlo nella zona di collegamento per la tensione a 230 V / 400 V **[15]**.
2. Collegare il cavo dell'ampliamento della potenza alla morsettiera **[14]** secondo lo schema di collegamento. Utilizzare in tal caso il morsetto "ST1" per il circuito di sicurezza e il morsetto "ST2" per il circuito di comando. Osservare le istruzioni per l'uso del rispettivo apparecchio.

5.5. Collegamento del sensore della stufa F1

1. Far passare i cavi del sensore della stufa attraverso il passacavo **[5]** e inserirli nella zona di collegamento per la bassa tensione **[1]**.
2. Collegare i cavi rossi del sensore della stufa ai morsetti con la dicitura "STB" sulla morsettiera **[2]**.
3. Collegare i cavi bianchi del sensore della stufa ai morsetti con la dicitura "F1" sulla morsettiera **[2]**.

5.6. Collegamento del sensore della panca F2 (opzionale)

1. Far passare i cavi del sensore della panca attraverso il passacavo **[4]** e inserirli nella zona di collegamento per la bassa tensione **[1]**.
2. Collegare i cavi del sensore della panca ai morsetti con la dicitura "F2" sulla morsettiera **[2]**.

5.7. Collegamento del sensore di temperatura e di umidità FTS2 (opzionale)

1. Far passare i cavi del sensore attraverso il passacavo [4] e inserirli nella zona di collegamento per la bassa tensione [1].
2. Collegare i cavi del sensore di temperatura ai morsetti con la dicitura “F2” sulla morsettiera [2].
 - a. Collegare il cavo nero al morsetto destro.
 - b. Collegare il cavo marrone al morsetto sinistro.
3. Collegare i cavi del sensore di umidità ai morsetti con la dicitura “+ S -” sulla morsettiera [2].
 - c. Collegare il cavo verde al morsetto “+”.
 - d. Collegare il cavo arancione al morsetto “S”.
 - e. Collegare il cavo rosso al morsetto “-”.

5.8. Collegamento del dispositivo di sicurezza per lo spegnimento automatico

I comandi della sauna dotati di telecontrollo possono essere utilizzati esclusivamente per il comando e la regolazione di una stufa per sauna omologata secondo la prova di copertura della stufa ai sensi della direttiva EN 60335-2-53 paragrafo 19.101. Altrimenti nella/sulla stufa può essere installato un dispositivo di sicurezza per lo spegnimento automatico corrispondente, che disattiva la stufa per sauna se su quest'ultima vengono appoggiati oggetti, come ad es. un asciugamano.

Per il montaggio del dispositivo di sicurezza per lo spegnimento automatico eseguire i seguenti passaggi:

1. Montare il dispositivo di sicurezza per lo spegnimento automatico conformemente alle istruzioni per l'uso dell'apparecchio.
2. Far passare i cavi del dispositivo di sicurezza per lo spegnimento automatico attraverso il passacavo [6] e inserirli nella zona di collegamento per la bassa tensione [1].
3. Collegare i cavi ai morsetti con la dicitura “OSG” sulla morsettiera [2].



Se non viene montato il dispositivo di sicurezza per lo spegnimento, montare nei morsetti un ponticello con la scritta “OSG”.

5.9. Avvio remoto

Il collegamento avviene attraverso i morsetti “S”, “B” e “C”. “S” indica il funzionamento della sauna e “C” indica il funzionamento dell’evaporatore. “B” indica un’uscita +24 V DC. Questa deve essere attivata sul morsetto relativo alla modalità di funzionamento desiderata mediante un interruttore o un attuatore.

5.10. Conclusione dell’installazione

1. Collegare il conduttore di terra del cavo di alimentazione e di tutti gli apparecchi alla barra di messa a terra **16**.
2. Applicare il coperchio dell’alloggiamento sul bordo superiore della scatola di connessione.
3. Premere leggermente verso l’interno le chiusure a scatto e inclinare verso il basso il coperchio dell’alloggiamento finché non si sente uno scatto.

6. Esecuzione delle prove

Le seguenti prove devono essere eseguite da un elettricista autorizzato.



AVVERTENZA!

Le seguenti prove vengono eseguite con l'alimentazione elettrica inserita. Sussiste pericolo di scossa elettrica!

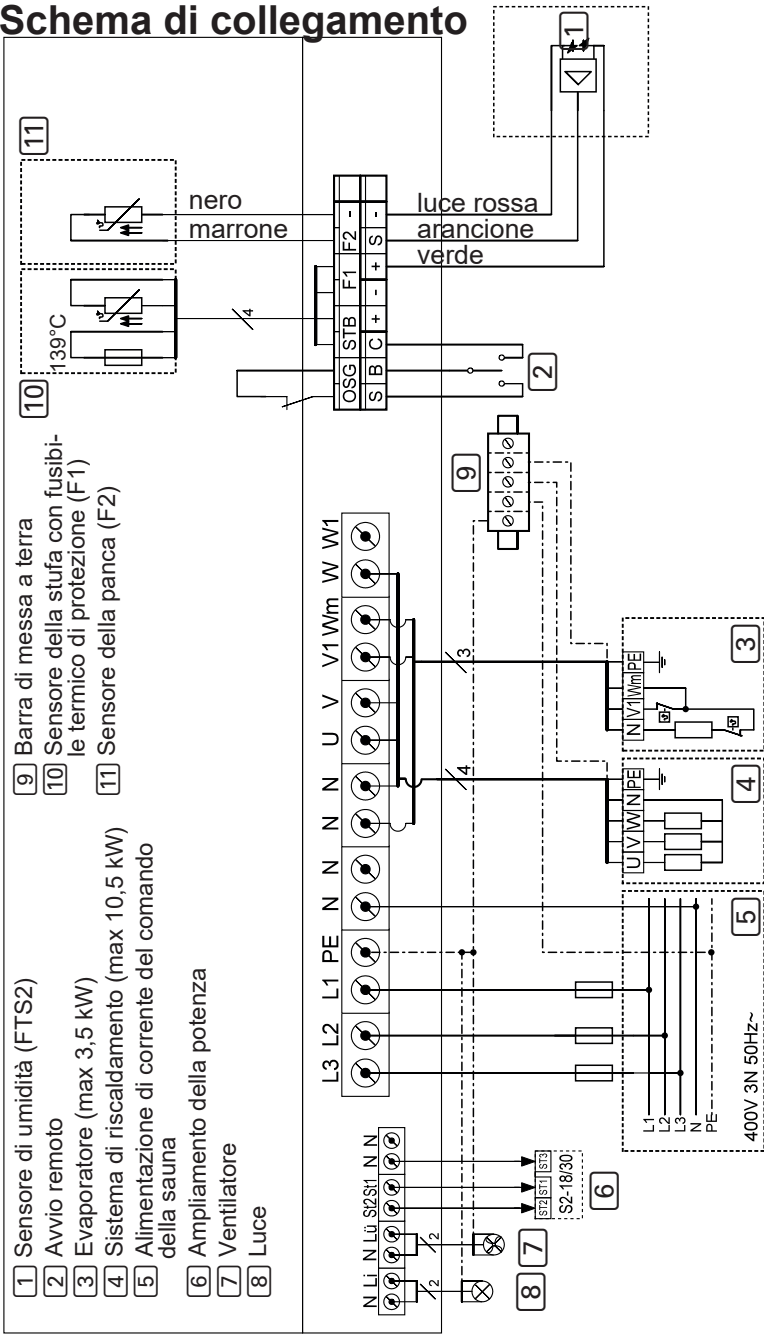
- NON toccare MAI le parti sotto tensione.

1. Controllare il contatto dei cavi di messa a terra sul morsetto di terra.
2. Controllare il fusibile termico di protezione del sensore della stufa F1.
 - a. Accendere il comando della sauna.
 - b. Aprire il sensore della stufa e scollegare uno dei due cavi rossi del sensore.
 - ▶ Nella parte superiore del display appare "Err", in quella inferiore "02" e il comando spegne la stufa.
 - c. Spegnerne il comando della sauna.
 - d. Collegare nuovamente il cavo rosso del sensore della stufa.
 - e. Scollegare uno dei cavi bianchi del sensore della stufa.
 - f. Accendere il comando della sauna.
 - ▶ Nella parte superiore del display appare "Err", in quella inferiore "04F1" e il comando spegne la stufa.
 - g. Spegnerne il comando della sauna.
 - h. Collegare nuovamente il cavo bianco del sensore della stufa.
3. Controllare l'interconnessione delle fasi L1, L2, L3 su U, V, W per il funzionamento della sauna.
4. Controllare l'interconnessione delle fasi L1, L2, L3 su U, V1, W per il funzionamento dell'evaporatore.

5. Controllare la potenza termica massima ammessa sul comando della sauna pari a 3,5 kW per ogni fase.
6. In presenza di un ampliamento della potenza opzionale:
 - a. Controllare i cavi di comando ST1, ST2 e ST3.
 - b. Controllare la potenza termica massima ammessa sull'ampliamento della potenza S2-18 pari a 3 kW per ogni fase.
 - c. Controllare la potenza termica massima ammessa sull'ampliamento della potenza S2-30 pari a 7 kW per ogni fase.

7. Schema di collegamento

Fig. 4 Schema di collegamento



- 1 Sensore di umidità (FTS2)
- 2 Avvio remoto
- 3 Evaporatore (max 3,5 kW)
- 4 Sistema di riscaldamento (max 10,5 kW)
- 5 Alimentazione di corrente del comando della sauna
- 6 Ampliamento della potenza
- 7 Ventilatore
- 8 Luce
- 9 Barra di messa a terra
- 10 Sensore della stufa con fusibile termico di protezione (F1)
- 11 Sensore della panca (F2)



8. Messa in funzione

Mediante il selettore di funzioni posizionato nella zona di collegamento per la bassa tensione è possibile attivare diverse funzioni del prodotto. La figura a destra mostra l'impostazione standard dei selettori di funzioni.

Osservare che dopo le modifiche il comando deve essere disattivato per 10 sec., per salvare le impostazioni.

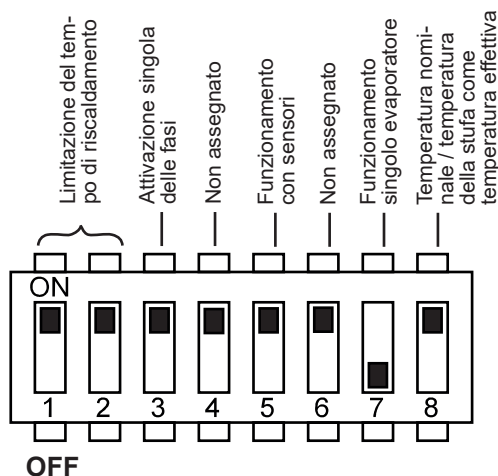


Fig. 5 Selettore di funzioni - Impostazione standard

8.1. Impostazione della limitazione del tempo di riscaldamento

Il tempo di riscaldamento massimo è preimpostato su 6 h. Per motivi di sicurezza, il comando della sauna si disattiva automaticamente una volta superato il tempo di riscaldamento massimo.

Mediante i selettori di funzioni nella zona di collegamento per la bassa tensione è possibile impostare una durata di riscaldamento massima su 12 h, 18 h o 24 h. Le posizioni necessarie per i selettori di funzioni si trovano nella tabella a destra.

<i>Selettore di funzioni</i>	1	2
6 h	ON	ON
12 h	OFF	ON
18 h	ON	OFF
24 h	OFF	OFF



La direttiva EN 60335-2-53 stabilisce per le saune per uso privato una limitazione del tempo di riscaldamento massima di 6 h. Per saune in hotel, caseggiati e posti simili, è ammessa una limitazione del tempo di riscaldamento massima di 12 h. L'estensione della limitazione del tempo di riscaldamento a 18 o 24 h è permessa solo in saune pubbliche.

8.2. Attivazione e disattivazione dell'attivazione singola delle fasi

La funzione di attivazione singola delle fasi viene attivata/disattivata mediante il selettore di funzioni **3**.

- Il selettore di funzioni **3** è preimpostato sulla posizione ON. L'attivazione singola delle fasi è così attivata.
- Per disattivare l'attivazione singola delle fasi, portare il selettore di funzioni **3** in posizione OFF.

8.3. Attivazione e disattivazione del funzionamento del sensore a membrana

Nel funzionamento a un sensore, il comando della sauna viene fatto funzionare solo assieme al sensore della stufa con fusibile termico di protezione (sensore F1). Il funzionamento a un sensore deve essere attivato mediante il selettore di funzioni **5**.

- Il selettore di funzioni **5** è preimpostato sulla posizione ON. Il funzionamento con due sensori è così attivato.
- Per attivare il funzionamento con un sensore, portare il selettore di funzioni **5** in posizione OFF.

8.4. Attivazione funzionamento singolo evaporatore

Di fabbrica, l'evaporatore può essere messo in funzione solo insieme al sistema di riscaldamento. Per utilizzare l'evaporatore separatamente, senza sistema di riscaldamento, deve essere attivato il funzionamento singolo evaporatore tramite il selettore di funzioni **7**.

- Il selettore di funzioni **7** è preimpostato sulla posizione OFF. Il funzionamento singolo evaporatore è così disattivato.
- Per attivare il funzionamento singolo evaporatore, portare il selettore di funzioni **7** in posizione ON.

8.5. Visualizzazione della temperatura della stufa nel funzionamento con un sensore

Nel funzionamento a un sensore, il comando della sauna di serie visualizza solamente la temperatura nominale. La temperatura effettiva non viene visualizzata. Se il comando della sauna nel funzionamento a un sensore deve indicare la temperatura attraverso la stufa (sensore F1) come temperatura effettiva, deve essere attivato con il selettore di funzioni **8**.

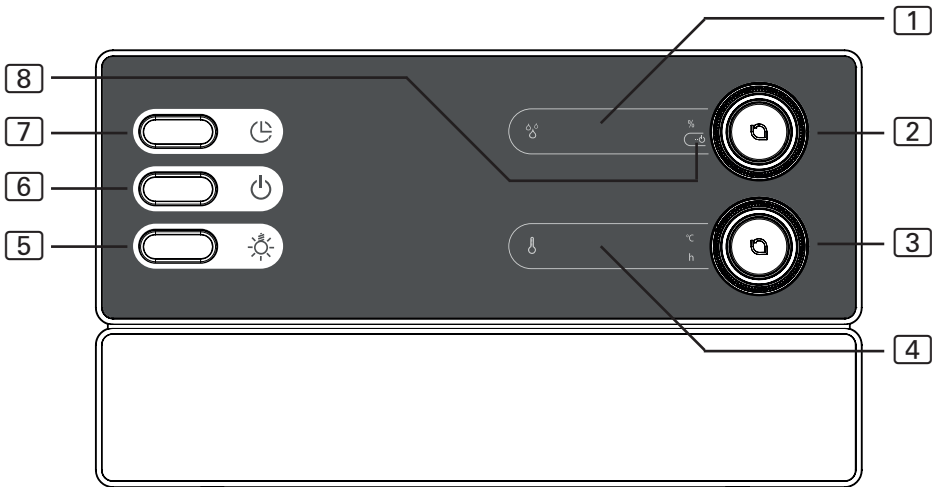
- Il selettore di funzioni **8** è preimpostato sulla posizione ON. In questo modo viene indicata solo la temperatura nominale.
- Se la temperatura deve essere indicata mediante la stufa come temperatura effettiva, portare il selettore di funzioni **8** in posizione OFF.



Considerare che la temperatura prodotta dalla stufa è sempre superiore alla temperatura nell'area delle panche. Con la temperatura della stufa come temperatura effettiva, la temperatura che appare sul comando sauna, sarà superiore a quella che il termometro della cabina misura.

9. Impiego

9.1. Elementi di comando



1 Indicazione dell'umidità

2 Selettore di umidità

3 Selettore di temperatura

4 Indicazione della temperatura

5 Interruttore della luce

6 Interruttore ON/OFF

7 Tasto di preselezione oraria

8 Visualizzazione avvio remoto

9.2. Attivazione della luce

È possibile accendere e spegnere la luce nella cabina della sauna dipendentemente dall'interruttore ON/OFF **6**.

- Per accendere e spegnere la luce, premere l'interruttore della luce **5**.

9.3. Accensione del comando della sauna



AVVERTENZA!

Pericolo di incendio

Gli oggetti infiammabili appoggiati sulla stufa per sauna calda possono infiammarsi e causare incendi.

- NON appoggiare MAI oggetti infiammabili sulla stufa per sauna.
- Prima di attivare il comando della sauna, accertarsi che NESSUN oggetto infiammabile si trovi sulla stufa per sauna.

- Per attivare il comando della sauna, premere l'interruttore ON/OFF [6].
 - ▶ Nell'indicazione dell'umidità [1] appare "0" per alcuni secondi. Poi nella cabina viene visualizzato il valore della l'umidità attuale. Se non è stato installato nessun sensore di temperatura e di umidità, verrà indicato il valore nominale dell'umidità.
 - ▶ Nell'indicazione della temperatura [4] appare "0" per alcuni secondi. Poi nella cabina viene visualizzata la temperatura attuale. Nel funzionamento a un sensore, viene visualizzata l'ultima temperatura nominale impostata.

9.4. Avvio del funzionamento della sauna

1. Impostare la temperatura desiderata con il selettore di temperatura [3].
 - ▶ Il selettore di temperatura [3] lampeggia e la temperatura nominale impostata viene visualizzata nell'indicazione della temperatura [4].
2. Premere sul selettore di temperatura [3].
 - ▶ La stufa viene accesa e inizia a riscaldare.
 - ▶ Nell'indicazione della temperatura [4] viene indicata la temperatura attuale nella cabina. Nel funzionamento a un sensore, viene visualizzata la temperatura nominale.

9.5. Avvio del funzionamento combinato

1. Impostare la temperatura desiderata con il selettore di temperatura **3**.
 - ▶ Il selettore di temperatura **3** lampeggia e la temperatura nominale impostata viene visualizzata nell'indicazione della temperatura **4**.
2. Premere sul selettore di temperatura **3**.
 - ▶ La stufa viene accesa e inizia a riscaldare.
 - ▶ Nell'indicazione della temperatura **4** viene indicata la temperatura attuale nella cabina. Nel funzionamento a un sensore, viene visualizzata la temperatura nominale.
3. Con il selettore di umidità **2**, selezionare il livello di umidità desiderato.
 - ▶ Il selettore di umidità **2** lampeggia e il valore nominale dell'umidità impostato viene visualizzato nell'indicazione dell'umidità **1**.
4. Premere sul selettore di umidità **2**.
 - ▶ L'evaporatore viene attivato.
 - ▶ Nell'indicazione dell'umidità **1** viene indicata l'umidità attuale presente nella cabina. Se non è stato installato nessun sensore di temperatura e di umidità, viene indicato il valore nominale dell'umidità.



Se il comando della sauna viene utilizzato senza sensore di temperatura e di umidità (FTS2), si attiva il funzionamento a ciclo. Se la temperatura della cabina scende sotto i 30°C, l'evaporatore viene attivato per 10 minuti. Ciò fa sì che l'acqua nel serbatoio raggiunga una temperatura base. Dopodiché inizia il funzionamento a ciclo.



L'evaporatore può essere avviato soltanto quando è accesa la stufa per sauna. Il valore nominale massimo impostabile per l'umidità dipende comunque dalla temperatura presente nella sauna. Maggiore è la temperatura, minore sarà il valore massimo impostabile per l'umidità.

Eccezione: Il funzionamento singolo evaporatore è attivato (vedi **8.4. Attivazione funzionamento singolo evaporatore a pagina 25**). Ora è possibile mettere in funzione l'evaporatore anche senza la stufa, tuttavia l'umidità massima dipende dalla temperatura attuale della cabina.

9.6. Modifica della temperatura nominale

Durante il funzionamento è possibile modificare in ogni momento la temperatura nominale impostata.

- Per aumentare la temperatura, ruotare il selettore di temperatura **3** verso destra.
Per ridurre la temperatura, ruotare il selettore di temperatura **3** verso sinistra.
 - ▶ Il selettore di temperatura **3** lampeggia e la temperatura nominale impostata viene visualizzata nell'indicazione della temperatura **4**.
 - ▶ Poi nell'indicazione della temperatura **4** viene indicata di nuovo la temperatura attuale nella cabina. Nel funzionamento a un sensore, viene visualizzata la temperatura nominale.

9.7. Modifica del valore nominale dell'umidità

Durante il funzionamento combinato è possibile modificare in ogni momento il valore nominale impostato dell'umidità.

- Per aumentare l'umidità, ruotare il selettore di umidità **2** verso destra.
Per abbassare l'umidità, ruotare il selettore di umidità **2** verso sinistra.
 - ▶ Il selettore di umidità **2** lampeggia e il valore nominale dell'umidità impostato viene visualizzato nell'indicazione dell'umidità **1**.
 - ▶ Poi nell'indicazione dell'umidità **1** viene indicato di nuovo il valore dell'umidità attualmente presente nella cabina. Se non è stato installato nessun sensore di temperatura e di umidità, viene indicato il valore nominale dell'umidità.

9.8. Attivazione Stand-by per telecomando

Secondo la norma EN 60335-2-53, i comandi della sauna con funzione di avvio remoto devono essere impostati manualmente sulla modalità di funzionamento "Stand-by per telecomando". Quest'attivazione deve essere fatta dopo ogni operazione di avvio remoto e arresto remoto. Procedere nel seguente modo:

1. Premere per tre secondi (longpress) sul selettore di temperatura **3**.
 - ▶ L'indicazione di avvio remoto **8** comincia a lampeggiare.
 - ▶ Il comando della sauna è ora pronto per essere avviato e arrestato tramite un segnale remoto.
 - ▶ Una volta avvenuto l'avvio o l'arresto remoto, si spegne l'indicazione di avvio remoto e deve essere effettuata nuovamente l'attivazione della modalità di funzionamento.

9.9. Impostazione della preselezione oraria



AVVERTENZA!

Pericolo di incendio

Gli oggetti infiammabili che poggiano sulla stufa calda, infiammandosi causano incendi.

- Non poggiare MAI oggetti infiammabili sulla stufa.
- Prima di attivare la funzione di preselezione oraria, accertarsi che NESSUN oggetto infiammabile si trovi sulla stufa.

È possibile impostare la preselezione oraria ogni 15 minuti. Il tempo massimo della preselezione oraria è 24 ore. La preselezione oraria viene visualizzata in ore e minuti, ad es. 8 ore e 15 minuti vengono visualizzati come 8.15.

1. Avviare il funzionamento della sauna o il funzionamento combinato (vedi punti **9.4** e **9.5**.)
2. Premere il tasto della preselezione oraria **[7]**.
 - ▶ Il selettore della temperatura **[3]** lampeggia e nell'indicazione della temperatura **[4]** appare l'ultima preselezione oraria impostata.
3. Per aumentare l'orario preselezionato a passi di 15 minuti, premere sul tasto di preselezione oraria **[7]**.
4. Se l'orario della preselezione desiderato è stato raggiunto, attendere alcuni secondi.
 - ▶ Il comando della sauna commuta nella modalità stand-by e il timer parte.
 - ▶ Nella visualizzazione della temperatura **[4]** viene indicato il tempo di preselezione rimanente e il selettore di temperatura **[3]** lampeggia.
 - ▶ Una volta superato il tempo della preselezione oraria, il funzionamento selezionato viene avviato.



L'ultimo tempo di preselezione impostato viene salvato, questo consente di richiamare l'ultimo valore premendo un solo tasto. Per riportare a 00:00 il tempo di preselezione, premere per tre secondi (longpress) sul tasto di preselezione

9.10. Interruzione della funzione preselezione oraria

- Per interrompere la funzione di preselezione oraria, premere per tre secondi (longpress) sul tasto di preselezione oraria **[7]**.
 - ▶ Il decorrere della preselezione oraria viene interrotto.
 - ▶ Nell'indicazione della temperatura **[4]** viene indicata la temperatura attuale nella cabina. Nel funzionamento a un sensore, viene visualizzata la temperatura nominale.

9.11. Interruzione del programma di asciugatura successiva

Dopo il funzionamento combinato viene avviato automaticamente il programma di asciugatura successiva. In questo modo la cabina della sauna viene riscaldata per 30 minuti a 80°C mentre il ventilatore è attivato. Nell'indicazione della temperatura **[4]** viene visualizzato il testo "dry".

- Per interrompere il programma di asciugatura successiva, premere per tre secondi (longpress) sul selettore di temperatura **[3]**.



Per impedire la formazione di muffe, si consiglia di NON interrompere il programma di asciugatura successiva.

9.12. Saunabetrieb ausschalten

- Premere il selettore della temperatura **[3]**.
 - ▶ Dopo l'operazione combinata (almeno 3 minuti) il programma di post-asciugatura viene avviato automaticamente.

9.13. Spegnimento del comando della sauna

- Per spegnere il comando della sauna, premere l'interruttore ON/OFF **[6]**.
 - ▶ Cancellare l'indicazione dell'umidità **[1]** e l'indicazione della temperatura **[4]**.
 - ▶ Il comando della sauna è disattivato.

10. Pulizia e manutenzione

10.1. Pulizia

ATTENZIONE!***Danni all'apparecchio***

Il comando della sauna è protetto dagli spruzzi d'acqua, tuttavia il contatto diretto con l'acqua può danneggiare l'apparecchio.

- NON immergere MAI l'apparecchio nell'acqua.
 - NON versare MAI acqua sull'apparecchio.
 - NON pulire MAI l'apparecchio con un panno troppo inumidito.
-

1. Immergere un panno per la pulizia in una soluzione di acqua tiepida saponata.
2. Strizzare bene il panno.
3. Pulire l'alloggiamento del comando della sauna con cautela.

10.2. Manutenzione

Il comando della sauna è esente da manutenzione.

11. Smaltimento



- Smaltire i materiali dell'imballaggio conformemente alle normative sullo smaltimento vigenti.
- I vecchi apparecchi contengono materiali riciclabili ma anche sostanze dannose. Non gettare mai l'apparecchio usato insieme ai rifiuti non riciclabili, bensì smaltirlo in conformità alle norme vigenti a livello locale.

12. Risoluzione dei problemi

12.1. Messaggi di errore

Il comando della sauna è equipaggiato con un software di diagnosi che controlla gli stati del sistema durante l'accensione e il funzionamento. Non appena il software di diagnosi rileva un guasto, il comando della sauna spegne la stufa.

Gli errori vengono visualizzati attraverso un segnale acustico ricorrente e il lampeggio del selettore di funzioni [2] e del selettore di temperatura [3]. Inoltre nell'indicazione dell'umidità [1] viene visualizzato il testo "Err". Nell'indicazione della temperatura [4] viene visualizzato il numero del guasto.

Disattivare il comando della sauna con l'interruttore ON/OFF [6] ed eliminare il guasto prima di riattivare il comando della sauna.

La seguente tabella descrive i possibili guasti e la rispettiva causa. In caso di necessità, comunicare il codice di errore all'Assistenza Clienti.

<i>Errore</i>	<i>Descrizione</i>	<i>Causa / rimedio</i>
01	Dispositivo automatico di spegnimento di sicurezza	Un oggetto è appoggiato sulla stufa per sauna. Rimuovere l'oggetto prima di mettere nuovamente in funzione la stufa. Se non è montato il dispositivo di sicurezza per lo spegnimento automatico, consultare 5.8. Collegamento del dispositivo di sicurezza per lo spegnimento automatico a pagina 19.
02	Limitatore termico di sicurezza	Sopra la stufa è stata superata la temperatura massima di 139°C.
04F1	Guasto sensore della stufa	Sensore della stufa guasto, contatto difettoso o cortocircuito
06F2	Guasto sensore della panca	Sensore della panca guasto, contatto difettoso o cortocircuito
07	Guasto sensore di umidità	Sensore di umidità guasto, contatto difettoso o cortocircuito

12.2. Indicazione di mancanza d'acqua

Il comando della sauna dispone di una modalità di funzionamento combinato con spegnimento automatico in mancanza d'acqua, nel caso in cui la stufa combinata supporti questa funzione.

Se il serbatoio dell'acqua dell'evaporatore è vuoto, viene emesso un segnale acustico ripetitivo e viene visualizzato il testo "FILL" nell'indicazione dell'umidità [1]. Contemporaneamente l'evaporatore si spegne.

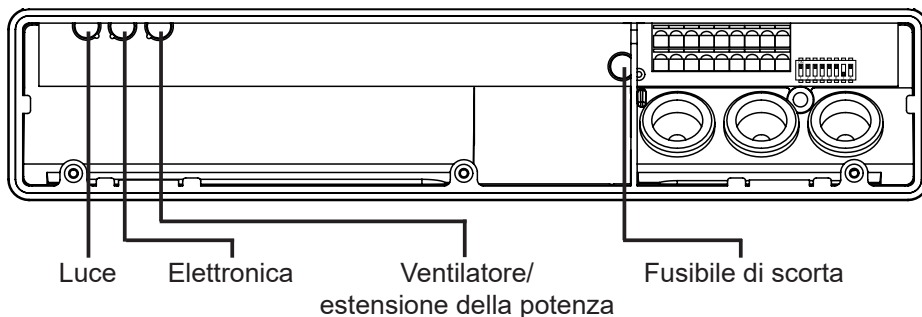
- Riempire con acqua il serbatoio dell'acqua dell'evaporatore.
 - ▶ Dopo un breve intervallo di tempo, il testo "FILL" si spegne e l'evaporatore inizia di nuovo a riscaldarsi.

12.3. Fusibili

Nella sezione dei collegamenti del comando della sauna, si trovano i fusibili per luce, ventilatore/estensione della potenza ed elettronica e un fusibile di scorta.

Si tratta di microfusibili ritardati da 1A.

Possono essere ordinati con il numero articolo PRO-FUSE.



Per sostituire il fusibile, estrarre verticalmente l'inserito e inserire il nuovo fusibile.

13. Specifiche tecniche

Condizioni ambientali

Temperatura di stoccaggio:	da -25°C a +70°C
Temperatura ambiente:	da -10°C a +40°C
Umidità dell'aria:	max 95%

Comando della sauna

Dimensioni:	307 x 175 x 57 mm
Tensione di commutazione / trifase 3N:	400 V AC
Frequenza:	50 Hz
Potere di rottura / riscaldatore:	3 x 3,5 kW
Corrente di commutazione per fase / riscaldatore:	16 A
Potere di rottura / evaporatore:	3,5 kW
Corrente di commutazione / evaporatore:	16 A
Tensione nominale:	230 V
Tipo di protezione (protezione antispruzzo):	IPX4
Allacciamento alla rete di alimentazione come collegamento fisso (allacciamento fisso)	

Luce:

Potere di rottura:	100 W
Fusibile:	1A T

Ventilatore

Potere di rottura:	100 W
Fusibile:	1A T

Intervalli di regolazione

Temperatura:	da 30°C a 110°C
Umidità:	da 0% a 100%

In questo caso il valore massimo impostabile per l'umidità dipende dalla temperatura presente nella sauna. Maggiore è la temperatura, minore sarà il valore massimo impostabile per l'umidità.

Sicurezza termica

Sensore della stufa con fusibile termico di protezione
(temperatura di spegnimento 139°C)

Possibilità di impostare il limite del tempo di riscaldamento automatico
(6 h, 12 h, 18 h, 24 h)*

Funzionamento selezionabile con uno o due sensori

Cavi di alimentazione

Cavo di alimentazione: min 5 x 2,5 mm²

Cavo di alimentazione stufa (termostabile fino a 150°C): min 2,5 mm²

Cavi dei sensori (termostabili fino a 150°C): min 0,5 mm²

Cavo della luce: min 1,5 mm²

Cavo del ventilatore: min 1,5 mm²

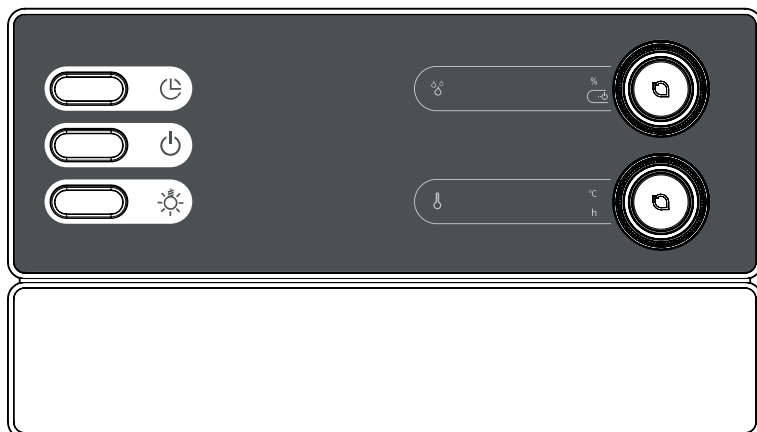
* La direttiva EN 60335-2-53 stabilisce per le saune per uso privato una limitazione del tempo di riscaldamento di 6 h. Per saune in hotel, caseggiati e posti simili, è ammessa una limitazione del tempo di riscaldamento di 12 h. L'estensione della limitazione del tempo di riscaldamento a 18 o 24 h è permessa solo in saune pubbliche.

Saunabediening

Pro B3

PRO-B3

MONTAGE- EN GEBRUIKSAANWIJZING
Nederlands



NL

Inhoudsopgave

1. Over deze handleiding	5
2. Belangrijke aanwijzingen voor uw veiligheid	6
2.1. Reglementair gebruik	6
2.2. Veiligheidsaanwijzingen voor de monteur	7
2.3. Veiligheidsaanwijzingen voor de gebruiker	8
3. Productbeschrijving	9
3.1. Leveromvang	9
3.2. Optioneel toebehoren	9
3.3. Productfuncties	9
3.4. Saunamodi	10
3.5. Bedrijfsmodi voeler	10
4. Montage	12
4.1. Saunabediening monteren	12
4.2. Kachelvoeler F1 met oververhittingsbeveiliging monteren	14
4.3. Bankvoeler F2 (optioneel) monteren	15
4.4. Vochtigheidstemperatuurvoeler FTS2 (optioneel) monteren	15
5. Elektrische aansluiting	16
5.1. Toevoerleiding, kachel en verdamper aansluiten	17
5.2. Licht aansluiten	17
5.3. Ventilator (optioneel) aansluiten	18
5.4. Vermogensuitbreiding (optioneel) aansluiten	18
5.5. Kachelvoeler F1 aansluiten	18
5.6. Bankvoeler F2 (optioneel) aansluiten	18
5.7. Vochtigheidstemperatuurvoeler FTS2 (optioneel) aansluiten	19
5.8. Veiligheidsuitschakeling aansluiten	19
5.9. Afstandsbediening	20
5.10. Installatie afsluiten	20

6. Controles uitvoeren	21
7. Schakelschema	23
8. Inbedrijfstelling	24
8.1. Verwarmingstijdbegrenzing instellen	24
8.2. Fasenroulatie activeren/deactiveren	25
8.3. Modus met een voeler activeren/deactiveren	25
8.4. Verdamer-singlemodus activeren	25
8.5. Kacheltemperatuur in modus met een voeler weergeven	26
9. Bediening	27
9.1. Bedieningselementen	27
9.2. Licht inschakelen	27
9.3. Saunabediening inschakelen	28
9.4. Saunamodus starten	28
9.5. Combi-modus starten	29
9.6. Moet-temperatuur wijzigen	30
9.7. Moet-vochtigheid wijzigen	30
9.8. Stand-by voor bediening op afstand activeren	31
9.9. Voorselectietijd instellen	32
9.10. Voorselectiefunctie annuleren	33
9.11. Nadroogprogramma annuleren	33
9.12. Saunamodus uitschakelen	33
9.13. Saunabediening uitschakelen	33
10. Reiniging en onderhoud	34
10.1. Reiniging	34
10.2. Onderhoud	34

11. Afvoer	34
12. Probleemoplossing	35
12.1. Foutmeldingen	35
12.2. Aanduiding watergebrek	36
12.3. Zekeringen	36
13. Technische gegevens	37

1. Over deze handleiding

Lees deze montage- en gebruiksaanwijzing goed door en bewaar ze in de buurt van de saunabediening. Zo kunt u te allen tijde informatie over uw veiligheid en de bediening nalezen.



U vindt deze montage- en gebruiksaanwijzing ook in het downloadbereik van onze website www.sentiotec.com/downloads.

Symbolen in waarschuwingaanwijzingen

In deze montage- en gebruiksaanwijzing staat bij werkzaamheden die gevaarlijk kunnen zijn een waarschuwingaanwijzing. Neem deze waarschuwingaanwijzingen steeds in acht. Zo voorkomt u materiële schade, letsel en zelfs de dood.

In de waarschuwingaanwijzingen worden signaalwoorden gebruikt die de volgende betekenis hebben:



GEVAAR!

Als u deze waarschuwingaanwijzing niet in acht neemt, leidt dit tot ernstig letsel of de dood.



WAARSCHUWING!

Als u deze waarschuwingaanwijzing niet in acht neemt, kan dit leiden tot ernstig letsel of de dood.



VOORZICHTIG!

Als u deze waarschuwingaanwijzing niet opvolgt, kan dit leiden tot licht letsel.

ATTENTIE!

Dit signaalwoord waarschuwt voor materiële schade.

Andere symbolen



Dit symbool kenmerkt tips en nuttige aanwijzingen.

2. Belangrijke aanwijzingen voor uw veiligheid

De saunabediening Pro B3 is gebouwd conform erkende veiligheids-technische voorschriften. Toch kunnen bij gebruik gevaren ontstaan. Neem daarom volgende veiligheidsaanwijzingen en de speciale waarschuwingaanwijzingen in de afzonderlijke hoofdstukken in acht. Neem ook de veiligheidsaanwijzingen van de aangesloten apparaten in acht.

2.1. Reglementair gebruik

De saunabediening Pro B3 is uitsluitend bedoeld voor de bediening en regeling van de functies volgens de technische gegevens.

De saunabediening Pro B3 mag alleen voor de besturing en regeling van een saunakachel conform paragraaf 19.101 van EN 60335-2-53 worden gebruikt. Als de kachel niet aan deze voorwaarde voldoet, moet een desbetreffende veiligheidsmaatregel worden getroffen (bijvoorbeeld: veiligheidsuitschakeling, zie **5.8** op pagina **19**).

De saunabediening Pro B3 mag alleen voor de besturing en regeling van 3 verwarmingskringen met maximaal 3,5 kW vermogen per kring worden gebruikt. Het maximale verdampingsvermogen bedraagt 3,5 kW.

Elk ander gebruik geldt als niet-reglementair. Niet-reglementair gebruik kan leiden tot productbeschadiging, ernstig letsel of de dood.

2.2. Veiligheidsaanwijzingen voor de monteur

- De montage mag alleen door een elektricien of een vergelijkbaar gekwalificeerde persoon worden uitgevoerd.
- Werkzaamheden aan de saunabediening mogen alleen in spanningsvrije toestand worden uitgevoerd.
- Op de plaats van opstelling moet een volledige scheidingsinrichting met complete uitschakeling overeenkomstig de overspanningscategorie III worden aangebracht.
- De saunabediening moet buiten de saunacabine op een hoogte van ongeveer 1,70 m worden gemonteerd of volgens de aanbevelingen van de cabineproducent. De omgevingstemperatuur moet liggen in het bereik van -10 °C en 40 °C.
- De kachelvoeler moet zo worden gemonteerd dat hij geen invloed ondergaat van binnenstromende lucht.
- De toevoerleiding van de kachel moet een dwarsdoorsnede van minstens 2,5 mm² hebben en temperatuurbestendig zijn tot 150 °C.
- Neem ook de plaatselijke bepalingen op de plaats van opstelling in acht.
- Raadpleeg voor problemen die in de montageaanwijzingen niet uitvoerig genoeg werden behandeld in het belang van uw eigen veiligheid uw leverancier.

2.3. Veiligheidsaanwijzingen voor de gebruiker

- De saunabediening mag niet door kinderen onder 8 jaar worden gebruikt.
- De saunabediening mag door kinderen boven 8 jaar, door personen met gereduceerde fysieke, sensorische of mentale vaardigheden en door personen met gebrekkige ervaring en kennis onder volgende omstandigheden worden gebruikt:
 - onder toezicht
 - indien veilig gebruik werd gedemonstreerd en ze de gevaren die kunnen ontstaan, begrijpen.
- Kinderen mogen niet met de saunabediening spelen.
- Kinderen onder 14 jaar mogen de saunabediening alleen onder toezicht reinigen.
- Maak in het belang van uw eigen gezondheid geen gebruik van de sauna, indien u onder invloed staat van alcohol, medicamenten of drugs.
- Controleer of geen brandbare voorwerpen op de saunakachel liggen, voordat u de saunabediening inschakelt.
- Controleer of geen brandbare voorwerpen op de saunakachel liggen, alvorens de voorselectiefunctie of de standby-modus voor de afstandsbediening te activeren.
- Raadpleeg voor problemen die in de gebruiksaanwijzing niet uitvoerig genoeg werden behandeld in het belang van uw eigen veiligheid uw leverancier.

3. Productbeschrijving

3.1. Leveromvang

- Saunabediening
- Kachelvoeler met geïntegreerde oververhittingsbeveiliging
- Montagemateriaal
- Draadbrug voor het overbruggen van de klemmen **V1** en **Wm** voor combikachels zonder automatische uitschakeling bij watergebrek

3.2. Optioneel toebehoren

- Bankvoeler (artikelnummer: O-F2)
- Vochtigheds-temperatuurvoeler (artikelnummer: O-FTS2)
- Vermogensuitbreiding (artikelnummer: O-S2-18 / O-S2-30)
- Veiligheidsuitschakeling (artikelnummer: SFE-xxxxx))
- Webserver pronet (artikelnummer: PRO-NET)

3.3. Productfuncties

De saunabediening Pro B3 beschikt over volgende functies:

- Regelen van combi-saunakachels met een verwarmingsvermogen tot 10,5 kW en een verdampingsvermogen van 3,5 kW in een temperatuurbereik van 30 °C tot 110 °C en in een vochtigheidsbereik van 5 tot 100%.
- Met een vermogensuitbreiding kan het maximale schakelvermogen van 10,5 kW tot 18 kW of 30 kW worden verhoogd.
- Afstandsbediening
- Voorselectiefunctie (tot 24 uur)
- Automatische begrenzing van de verwarmingstijd
Uit veiligheidsoverwegingen schakelt de saunabediening na maximale verwarmingstijd automatisch uit. De maximale verwarmingstijd kan op 6 u, 12 u, 18 u of 24 u worden ingesteld.
- Nadroogprogramma
Na de combimodus wordt het nadroogprogramma automatisch gestart om de vorming van schimmel en vuil in de saunacabine te vermijden. Wanneer de ventilator is ingeschakeld, wordt de saunacabine bovendien gedurende 30 minuten op 80 °C opgewarmd.

- **Oververhittingsbeveiliging**
De oververhittingsbeveiliging bevindt zich in de behuizing van de kachelvoeler. Wanneer de saunakachel, na het bereiken van de gewenste temperatuur, door een defect blijft verwarmen, schakelt de oververhittingsbeveiliging bij ongeveer 139 °C de saunakachel automatisch uit.

3.4. Saunamodi

Met de saunabediening Pro B3 zijn twee bedrijfsmodi mogelijk: sauna- en combi-modus.

Sauna-modus

In de sauna-modus is droge warmte beschikbaar. De temperatuur in de cabine is hoog (80 tot 100 °C). De vochtigheidswaarden bedragen maximaal slechts 10%.

Combi-modus

In de combi-modus is naast de saunakachel ook de verdamper actief. De temperatuur in de saunacabine is lager (ong. 40 tot 65 °C) dan in de sauna-modus, maar de relatieve luchtvochtigheid is met 35% tot ongeveer 70% wel aanzienlijk hoger. De maximaal instelbare streefwaarde voor vochtigheid is daarbij afhankelijk van de saunatemperatuur. Hoe hoger de saunatemperatuur, hoe lager de maximaal instelbare vochtigheidswaarde.

3.5. Bedrijfsmodi voeler

De saunabediening kan met een of twee voelers worden gebruikt. Als tweede voeler kan een temperatuurvoeler (bankvoeler, F2) of een vochtigheidstemperatuurvoeler (FTS2) worden gebruikt.

Modus met een voeler (F1)

De modus met een voeler moet bij de inbedrijfstelling worden geactiveerd (zie **8.3. Modus met een voeler activeren/deactiveren** op pagina 25).

In de modus met een voeler wordt de saunabediening enkel gebruikt met de kachelvoeler met oververhittingsbeveiliging (F1). Deze wordt meegeleverd.

In de modus met een voeler geeft de saunabediening standaard alleen de ingestelde temperatuur weer. De werkelijke temperatuur wordt niet weergegeven. Als de saunabediening in modus met een voeler de temperatuur boven de kachel (F1-voeler) als werkelijke temperatuur moet weergeven, moet deze bij inbedrijfstelling worden geactiveerd (zie **8.5. Kacheltemperatuur in modus met een voeler weergeven** op pagina **26**).

De maximaal instelbare vochtigheidswaarde richt zich in de modus met een voeler naar de temperatuur boven de kachel en de vochtigheid wordt verdeeld. In het display van de saunabediening wordt nu de streefwaarde voor de vochtigheid (in % relatieve luchtvochtigheid) weergegeven. De reële vochtigheid in de saunacabine is bij verdeelde vochtigheid afhankelijk van de grootte van de cabine en het verdampingsvermogen en kan afwijken van de ingestelde streefwaarde.

Modus met twee voelers met bankvoeler (F2)

In de modus met twee voelers met bankvoeler wordt een tweede temperatuurvoeler (bankvoeler) boven de achterste saunabank gemonteerd. De saunabediening geeft als reële waarde die temperatuur aan die door de bankvoeler wordt gemeten.

In de modus met twee voelers met bankvoeler wordt de vochtigheid verdeeld. In het display van de saunabediening wordt nu de streefwaarde voor de vochtigheid (in % relatieve luchtvochtigheid) weergegeven. De reële vochtigheid in de saunacabine is bij verdeelde vochtigheid afhankelijk van de grootte van de cabine en het verdampingsvermogen en kan afwijken van de ingestelde streefwaarde.

Modus met twee voelers met vochtigheidstemperatuurvoeler (FTS2)

Wanneer in de modus met twee voelers een vochtigheidstemperatuurvoeler wordt gebruikt, geeft de saunabediening als reële waarde die temperatuur aan die door de vochtigheidstemperatuurvoeler wordt gemeten.

In de modus met twee voelers met vochtigheidstemperatuurvoeler wordt de verdampers geregeld naargelang de vochtigheid die in de cabine wordt gemeten. In het display van de saunabediening wordt de reële vochtigheid in de saunacabine (in % relatieve luchtvochtigheid) weergegeven.

4. Montage

4.1. Saunabediening monteren

ATTENTIE!***Schade aan het apparaat***

De saunabediening is spatwaterdicht, toch kan rechtstreeks contact met water het apparaat echter beschadigen.

- Monteer de saunabediening op een droge plaats waar een maximale luchtvochtigheid van 95% niet wordt overschreden.
-

ATTENTIE!***Storende bronnen beïnvloeden de signaaloverdracht***

- Leg alle voelerskabels gescheiden van andere netkabels en bedieningskabels.
 - Bescherm enkelvoudig geïsoleerde kabels door een buis (dubbele isolatie).
-

Let bij de montage van de saunabediening op de volgende punten:

- De saunabediening moet buiten de saunacabine worden gemonteerd of volgens de aanbevelingen van de cabineproducent.
- De omgevingstemperatuur moet liggen in het bereik van -10 °C en $+40\text{ °C}$.
- Alle voelers mogen enkel worden aangesloten met de meegeleverde voelerskabels die tot 150 °C temperatuurbestendig zijn.

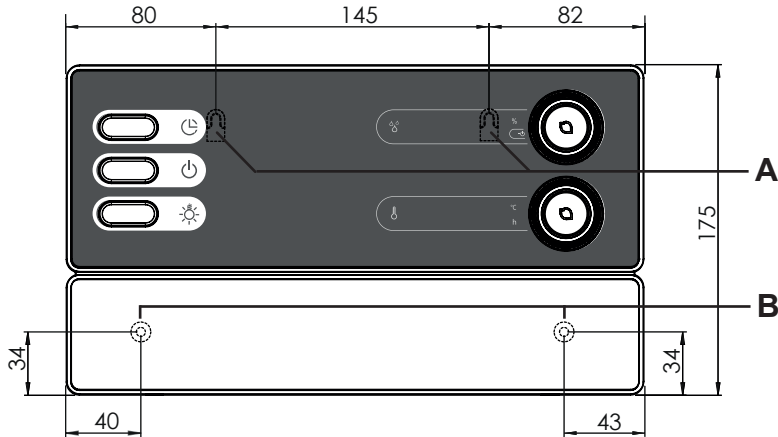


De voelerskabels mogen enkel onder volgende omstandigheden worden verlengd:

- Gebruik van een siliconekabel die bestendig is tot 150 °C .
 - De minimale doorsnede van de kabel bedraagt $0,5\text{ mm}^2$.
 - De lengte van de kabels van de kachelhoeler mag NIET langer zijn dan 10 m.
-

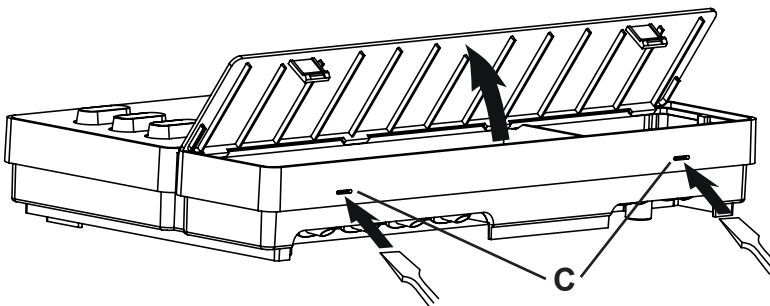
Om de saunabediening te monteren, voert u volgende stappen uit:

1. Draai twee kruiskopschroeven (16 mm) op een hoogte van ongeveer 1,70 m tot op een afstand van 7 mm in de saunawand. De beide schroeven moeten 145 mm van elkaar verwijderd zijn (zie **afb. 1**).



afb. 1 Positie van de ophangconstructie en de montageopeningen (afmetingen in mm)

2. Druk de springsloten **C** met een schroevendraaier lichtjes in en verwijder het deksel van de behuizing (zie **afb. 2**).
3. Hang de saunabediening met behulp van de ophangconstructie **A** aan de gemonteerde kruiskopschroeven (zie **afb. 1**).
4. Draai twee kruiskopschroeven (16 mm) in de onderste bevestigingsopeningen **B** vast (zie **afb. 1**).



afb. 2 Behuizingsdeksel verwijderen

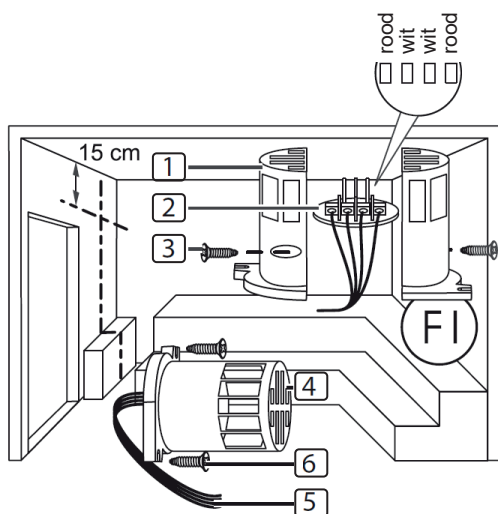
4.2. Kachelvoeler F1 met oververhittingsbeveiliging monteren

Let bij de montage van de kachelvoeler op volgende punten:

- De kachelvoeler moet op de achterkant van de kachel boven het midden van de saunakachel worden gemonteerd. Daarbij dient een afstand van ongeveer 15 cm tot het cabineplafond te worden gerespecteerd.
- De kachelvoeler moet zo worden gemonteerd dat hij geen invloed ondergaat van binnenstromende lucht.

Om de kachelvoeler te monteren, voert u de volgende stappen uit (zie **afb. 3**):

1. Leg de beide 2-polige kabels van de kachelvoeler in de wand van de saunacabine op de montageplaats van de kachelvoeler en bevestig de kabels van de kachelvoeler met kabelklemmen.
2. Trek de twee halve omhulsels **1** van de kachelvoeler uit elkaar.
3. Klem de vier aansluitingen van de kachelvoeler-leiding **5** conform de **afb. 3** vast.
4. Leg de aansluitplaat **2** dwars (zoals op **afb. 3** weergegeven) in de halve omhulsels van de kachelvoeler.
5. Sluit de halve omhulsels, schroef deze vast met de beide kruiskopschroeven **3** (9 mm) en controleer of de kachelvoeler vast gesloten is.
6. Monteer de kachelvoeler op de achterkant van de kachel met de beide meegeleverde houtschroeven **6** (16 mm).



- 1** Halve omhulsels van de kachelvoeler
- 2** Aansluitplaat
- 3** Kruiskopschroeven (9 mm)
- 4** Kachelvoeler
- 5** Kabels kachelvoeler
- 6** Houtschroeven (16 mm)

afb. 3 Montage van de kachelvoeler (F1)

4.3. Bankvoeler F2 (optioneel) monteren

De bankvoeler moet op de cabinewand boven de achterste zitbank worden gemonteerd. Daarbij dient een afstand van ongeveer 15 cm tot het cabineplafond te worden gerespecteerd.

Om de bankvoeler te monteren, voert u de volgende stappen uit:

1. Leg de 2-polige kabels van de bankvoeler in de wand van de saunacabine op de montageplaats van de bankvoeler en bevestig de kabels van de bankvoeler met kabelklemmen.
2. Trek de twee halve omhulsels van de bankvoeler uit elkaar.
3. Klem de beide aansluitingen van de bankvoelerleiding aan de beide middenklemmen van de aansluitplaat.
4. Leg de aansluitplaat dwars in de halve omhulsels van de bankvoeler.
5. Sluit de halve omhulsels en schroef deze vast met de beide kruiskopschroeven (9 mm).
6. Controleer of de bankvoeler vast gesloten is.
7. Monteer de bankvoeler op de cabinewand met de beide meegeleverde houtschroeven (16 mm). Respecteer daarbij een afstand van 15 cm tot het cabineplafond.

4.4. Vochtigheidstemperatuurvoeler FTS2 (optioneel) monteren

De vochtigheidstemperatuurvoeler moet op de cabinewand boven de achterste zitbank worden gemonteerd. Daarbij dient een afstand van ongeveer 15 cm tot het cabineplafond te worden gerespecteerd.

Om de vochtigheidstemperatuurvoeler te monteren, voert u volgende de stappen uit:

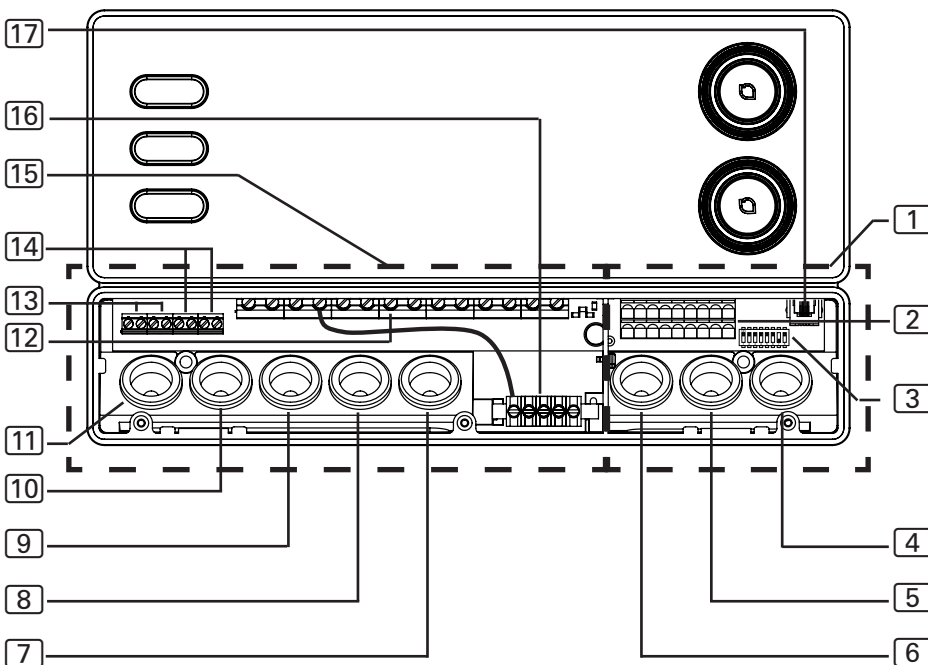
1. Leg de 5-polige voelercabel in de wand van de saunacabine op de montageplaats van de vochtigheidstemperatuurvoeler en bevestig de voelercabels met kabelklemmen.
2. Monteer de vochtigheidstemperatuurvoeler tegen de cabinewand met de beide meegeleverde houtschroeven (16 mm). Respecteer daarbij een afstand van 15 cm tot het cabineplafond.

5. Elektrische aansluiting

ATTENTIE!

Schade aan het apparaat

- De saunabediening mag enkel worden gebruikt voor de bediening en regeling van 3 verwarmingscircuits met een verwarmingsvermogen van max. 3,5 kW per verwarmingscircuit. Het maximale verdampingsvermogen bedraagt 3,5 kW.



- | | |
|--|--|
| 1 Aansluitbereik voor laagspanning | 9 Kabeldoorvoering voor toevoerleiding |
| 2 Klemmenlijst voor veiligheidsuitschakeling, afstandsbediening en voelerleidingen | 10 Kabeldoorvoering voor vermogensuitbreiding |
| 3 Functieselectieschakelaar | 11 Kabeldoorvoering voor licht en ventilator |
| 4 Kabeldoorvoering voor F2- en FTS2-voeler | 12 Klemmenlijst voor kachel- en verdamper- en toevoerleiding |
| 5 Kabeldoorvoering voor F1-voeler | 13 Klemmenlijst voor licht en ventilator |
| 6 Kabeldoorvoering voor veiligheidsuitschakeling en afstandsbediening | 14 Klemmenlijst voor vermogensuitbreiding |
| 7 Kabeldoorvoering voor verdamperleiding | 15 Aansluitbereik voor 230 V / 400 V |
| 8 Kabeldoorvoering voor kachelkabel | 16 Aardingsrail |
| | 17 RJ45-bus voor RS-485 en pronet |

Let bij de elektrische aansluiting van de saunabediening op volgende punten:

- De montage mag alleen door een elektricien of een vergelijkbaar gekwalificeerde persoon worden uitgevoerd.



Houd er rekening mee dat in geval van garantieclaim een kopie van de rekening van het gespecialiseerde elektrobedrijf moet worden voorgelegd.

- Werkzaamheden aan de saunabediening mogen alleen in spanningsvrije toestand worden uitgevoerd.
- De elektrische voeding moet als vaste aansluiting uitgevoerd zijn.
- Op de plaats van opstelling moet een volledige scheidingsinrichting met complete uitschakeling overeenkomstig de overspanningscategorie III worden aangebracht.
- Raadpleeg het schakelschema (**afb. 4**) op pagina **23**.

5.1. Toevoerleiding, kachel en verdamper aansluiten

1. Leid de toevoer-, kachel- en verdamperleiding door de kabeldoorvoeringen **9**, **8**, **7** in het aansluitbereik voor 230 V / 400 V **15**.
2. Sluit de aansluitleidingen conform het aansluitschema aan op de klemmenlijst **12**. Neem daarbij de bedieningshandleiding van de respectieve apparaten in acht.
3. Wanneer de verdamper niet beschikt over een automatische uitschakeling bij watergebrek, voer dan ook de volgende stappen uit:
 - Verbind met de bijgeleverde draadbruggen de klem „V1” met de klem „Wm”.

5.2. Licht aansluiten

1. Leid de lichtleiding door de kabeldoorvoering **11** in het aansluitbereik voor 230 V / 400 V **15**.
2. Sluit de lichtleiding conform het aansluitschema aan op de klemmenlijst **13**. Neem hierbij de bedieningshandleiding van het apparaat in acht.

5.3. Ventilator (optioneel) aansluiten

1. Leid de ventilatorleiding door de kabeldoorvoering **(11)** in het aansluitbereik voor 230 V / 400 V **(15)**.
2. Sluit de ventilatorleiding conform het aansluitschema aan op de klemmenlijst **(13)**. Neem daarbij de bedieningshandleiding van het respectieve apparaat in acht.

5.4. Vermogensuitbreiding (optioneel) aansluiten

1. Leid de leiding van de vermogensuitbreiding door de kabeldoorvoering **(10)** in het aansluitbereik voor 230 V / 400 V **(15)**.
2. Sluit de leiding van de vermogensuitbreiding conform het aansluitschema aan op de klemmenlijst **(14)**. Gebruik daarbij klem „**ST1**” voor het veiligheidscircuit en klem „**ST2**” voor het bedieningscircuit. Neem de bedieningshandleiding van het respectieve apparaat in acht.

5.5. Kachelvoeler F1 aansluiten

1. Steek de kachelvoelerkabels door de kabeldoorvoering **(5)** in het aansluitbereik voor laagspanning **(1)**.
2. Sluit de rode kachelvoelerkabels aan op de klemmen met het opschrift „**STB**” in het klemmenbord **(2)**.
3. Sluit de witte kachelvoelerkabels aan op de klemmen met het opschrift „**F1**” in het klemmenbord **(2)**.

5.6. Bankvoeler F2 (optioneel) aansluiten

1. Steek de bankvoelerkabels door de kabeldoorvoering **(4)** in het aansluitbereik voor laagspanning **(1)**.
2. Sluit de kachelvoelerkabels aan op de klemmen met het opschrift „**F2**” in het klemmenbord **(2)**.

5.7. Vochtigheidstemperatuurvoeler FTS2 (optioneel) aansluiten

1. Steek de voelercabels door de kabeldoorvoering **4** in het aansluitbereik voor laagspanning **1**.
2. Sluit de temperatuurvoelercabels aan op de klemmen met het opschrift „**F2**” in het klemmenbord **2**.
 - a. Sluit de zwarte kabel aan op de rechter klem.
 - b. Sluit de bruine kabel aan op de linker klem.
3. Sluit de leidingen van de vochtigheidsvoeler aan op de klemmen met het opschrift „**+ S -**” in de klemenlijst **2**.
 - c. Sluit de groene kabel aan op klem „**+**”.
 - d. Sluit de oranje kabel aan op klem „**S**”.
 - e. Sluit de rode kabel aan op klem „**-**”.

5.8. Veiligheidsuitschakeling aansluiten

Conform EN 60335-2-53 mogen saunabesturingen met afstandsbediening alleen worden gebruikt voor de besturing en regeling van een saunakachel die geslaagd is voor de afdekproef conform paragraaf 19.101. Alternatief kan een desbetreffende veiligheidsuitschakeling in of boven de kachel worden gemonteerd. Deze schakelt de saunakachel uit wanneer voorwerpen, bijv. een handdoek, op de saunakachel worden gelegd.

Om de veiligheidsuitschakeling te monteren, voert u volgende stappen uit:

1. Monteer de veiligheidsuitschakeling conform de bedieningshandleiding van het apparaat.
2. Steek de kabels van de veiligheidsuitschakeling door de kabeldoorvoering **6** in het aansluitbereik voor laagspanning **1**.
3. Sluit de leidingen aan op de klemmen met het opschrift „**OSG**” in de klemenlijst **2**.



Als er geen veiligheidsuitschakeling wordt gemonteerd, moet een draadbrug aan de klemmen met het opschrift „**OSG**” worden gemonteerd.

5.9. Afstandsbediening

De aansluiting gebeurt via de klemmen „S”, „B” en „C”. „S” staat voor de sauna-modus en „C” voor de verdamper-modus. „B” is een +24 V gelijkstroomuitgang. Deze moet via een schakelaar of een actuator op de klem „S” geschakeld worden voor de gewenste bedrijfsmodus.

5.10. Installatie afsluiten

1. Sluit de aardleiding van de toevoerleidingen en alle apparaten aan op de aardingsrail **16**.
2. Plaats het deksel van de behuizing op de bovenste rand van de aansluitbox.
3. Druk de springsloten licht naar binnen en draai het deksel van de behuizing naar beneden tot deze hoorbaar vastklikt.

6. Controles uitvoeren

De volgende controles moeten worden uitgevoerd door een erkende elektricien.



WAARSCHUWING!

De volgende controles worden uitgevoerd bij ingeschakelde stroomtoevoer. Het gevaar van een elektrische schok is reëel.

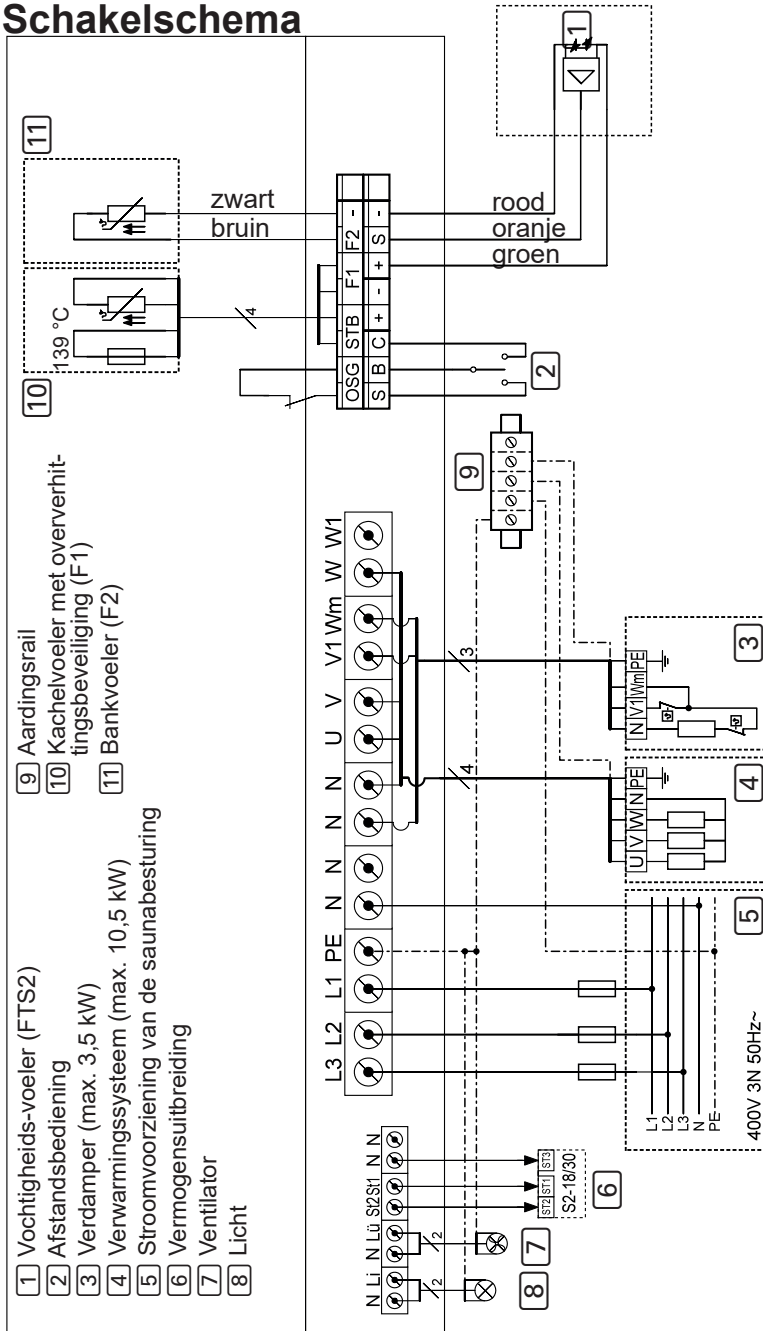
- Raak **NOOIT** onderdelen aan die onder spanning staan.
-

1. Controleer het contact van de aardleidingen aan de aardleidingklem.
2. Controleer de oververhittingsbeveiliging van de kachelvoeler F1.
 - a. Schakel de saunabediening in.
 - b. Open de kachelvoeler en maak een van de twee rode kachelvoelerkabels los.
 - ▶ In het bovenste display wordt „Err” weergegeven, in het onderste display „02” en de besturing schakelt de kachel uit.
 - c. Schakel de saunabediening uit.
 - d. Klem de rode kachelvoelerleiding weer vast.
 - e. Klem nu een van de witte kachelvoelerkabels af.
 - f. Schakel de saunabediening in.
 - ▶ In het bovenste display wordt „Err” weergegeven, in het onderste display „04F1” en de besturing schakelt de kachel uit.
 - g. Schakel de saunabediening uit.
 - h. Sluit de witte kachelvoelerkabel weer aan.
3. Controleer de fasedoorschakeling voor de sauna-modus L1, L2, L3 naar U, V, W.
4. Controleer de fasedoorschakeling voor de verdamper-modus L1, L2, L3 naar U, V, W.

5. Controleer het maximaal toegestane verwarmingsvermogen aan de sauna-bediening van 3,5 kW per fase.
6. Bij optionele vermogensuitbreiding
 - a. Controleer de bedieningskabels ST1, ST2 en ST3.
 - b. Controleer het maximaal toegestane verwarmingsvermogen aan de vermogensuitbreiding S2-18 van 3 kW per fase.
 - c. Controleer het maximaal toegestane verwarmingsvermogen aan de vermogensuitbreiding S2-30 van 7 kW per fase.

7. Schakelschema

afb. 4 Aansluitschema

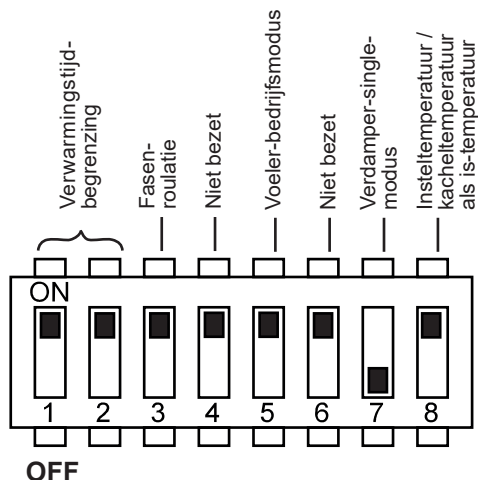


- 1 Vochtighheids-voeler (FTS2)
- 2 Afstandsbediening
- 3 Verdamp(er) (max. 3,5 kW)
- 4 Verwarmingssysteem (max. 10,5 kW)
- 5 Stroomvoorziening van de saunabesturing
- 6 Vermogensuitbreiding
- 7 Ventilator
- 8 Licht
- 9 Aardingsrail
- 10 Kachelvoeler met oververhittingsbeveiliging (F1)
- 11 Bankvoeler (F2)

8. Inbedrijfstelling

Via de functiekeuzeschakelaar in het aansluitbereik voor laagspanning kunnen verschillende productfuncties worden geactiveerd. De afbeelding rechts toont de standaardinstelling van de functieschakelaar.

Houd er rekening mee dat na wijzigingen de besturing 10 seconden moet worden uitgeschakeld, om de instellingen op te slaan.



afb. 5 Functiekeuzeschakelaar – standaardinstelling

8.1. Verwarmingstijdbegrenzing instellen

De maximale verwarmingstijd is standaard op 6 u ingesteld. Uit veiligheidsoverwegingen schakelt de saunabediening na maximale verwarmingstijd automatisch uit.

Via de functieselectieschakelaar in het aansluitbereik voor laagspanning kan de maximale verwarmingsduur op 12 u, 18 u of 24 u worden ingesteld. De hiervoor verantwoordelijke posities van de functieselectieschakelaar staan in de tabel rechts.

<i>Functieselectieschakelaar</i>	1	2
6 u	ON	ON
12 u	OFF	ON
18 u	ON	OFF
24 u	OFF	OFF



EN 60335-2-53 schrijft voor privésauna's een begrenzing van de verwarmingstijd van 6 u voor. Voor sauna's in hotels, woonblokken en dergelijke is een verwarmingstijdbegrenzing van maximaal 12 u toegestaan. De uitbreiding van de verwarmingstijdbegrenzing tot 18 u of 24 u is alleen in publieke sauna's toegestaan.

8.2. Fasenroulatie activeren/deactiveren

De fasenroulatie wordt via de functiekeuzeschakelaar **3** geactiveerd resp. gedeactiveerd.

- Standaard bevindt de functiekeuzeschakelaar **3** zich in de ON-stand. De fasenroulatie is dan geactiveerd.
- Wanneer u de fasenroulatie wilt deactiveren, zet u de functiekeuzeschakelaar **3** in de OFF-stand.

8.3. Modus met een voeler activeren/deactiveren

In de modus met een voeler wordt de saunabediening enkel gebruikt met de kachelvoeler met oververhittingsbeveiliging (F1-voeler). Modus met een voeler moet via de functieschakelaar **5** worden geactiveerd.

- Standaard bevindt de functieschakelaar zich **5** in ON-positie. De bedrijfsmodus met twee voelers is dan geactiveerd.
- Wanneer u de modus met een voeler wilt activeren, zet u de functiekeuzeschakelaar **5** in de OFF-stand.

8.4. Verdamper-singlemodus activeren

De verdamper kan standaard alleen samen met het verwarmingssysteem in bedrijf worden gesteld. Om de verdamper alleen zonder verwarmingssysteem te kunnen gebruiken, moet de verdamper-singlemodus via de functiekeuzeschakelaar **7** worden geactiveerd.

- Standaard bevindt de functiekeuzeschakelaar **7** zich in de stand OFF. De verdamper-singlemodus is gedeactiveerd.
- Wanneer u de verdamper-singlemodus wilt activeren, zet u de functiekeuzeschakelaar **7** in de stand ON.

8.5. Kacheltemperatuur in modus met een voeler weergeven

In de modus met een voeler geeft de saunabediening standaard alleen de ingestelde temperatuur weer. De werkelijke temperatuur wordt niet weergegeven. Als de saunabediening in modus met een voeler de temperatuur boven de kachel (F1-voeler) als werkelijke temperatuur moet weergeven, moet deze met de functieschakelaar **8** worden geactiveerd.

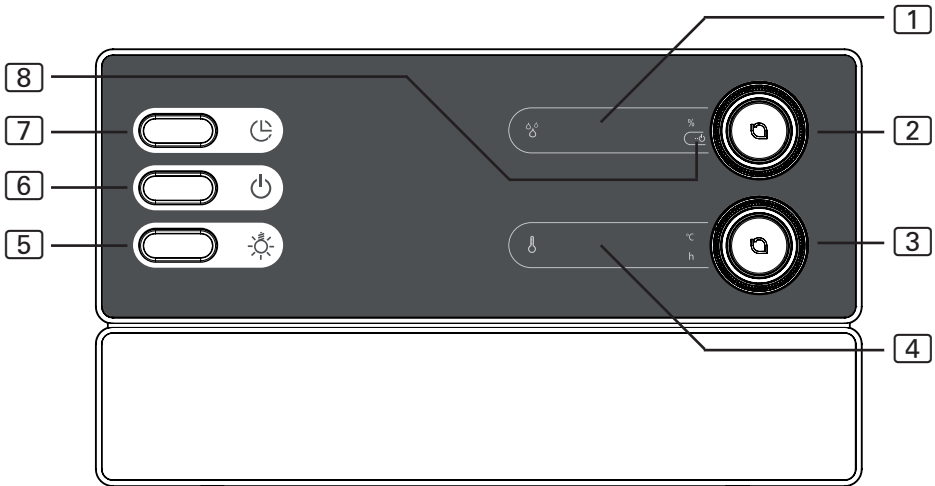
- Standaard bevindt de functiekeuzeschakelaar **8** zich in ON-stand. Dan wordt alleen de ingestelde temperatuur weergegeven.
- Als de temperatuur boven de kachel als werkelijke temperatuur moet worden weergegeven, de functieschakelaar **8** in de OFF-positie zetten.



Neem in acht dat de temperatuur boven de kachel altijd hoger is dan de temperatuur in het bereik van de zitbanken. Met de kacheltemperatuur als werkelijke temperatuur is de weergegeven temperatuur van de saunabesturing hoger dan de met de cabinethermometer gemeten temperatuur.

9. Bediening

9.1. Bedieningselementen



1 Vochtigheidsweergave

2 Vochtigheidsselector

3 Temperatuurselector

4 Temperatuurweergave

5 Lichtschakelaar

6 IN/UIT-schakelaar

7 Voorselectietijd-toets

8 Weergave startfunctie op afstand

9.2. Licht inschakelen

Het licht in de saunacabine kan onafhankelijk van de AAN/UIT-schakelaar 6 worden in- en uitgeschakeld.

- Druk op de lichtschakelaar 5 om het licht in of uit te schakelen.

9.3. Saunabediening inschakelen



WAARSCHUWING!

Brandgevaar

Brandbare voorwerpen die op de hete saunakachel liggen, kunnen ontvlammen en brand veroorzaken.

- Leg **NOOIT** brandbare voorwerpen op de saunakachel.
- Controleer of **GEEN** brandbare voorwerpen op de saunakachel liggen, voordat u de saunabediening inschakelt.

- Druk de IN/UIT-schakelaar **6** in om de saunabediening in te schakelen.
 - ▶ In de vochtigheidsweergave **1** verschijnt gedurende enkele seconden „0”. Vervolgens wordt de actuele vochtigheid in de cabine weergegeven. Als geen vochtigheidstemperatuurvoeler is gemonteerd, wordt de als laatste ingestelde moet-vochtigheid weergegeven.
 - ▶ In de temperatuurweergave **4** verschijnt gedurende enkele seconden „0”. Vervolgens wordt de actuele temperatuur in de cabine weergegeven. In modus met een voeler wordt de als laatste ingestelde moet-temperatuur weergegeven.

9.4. Saunamodus starten

1. Stel met de temperatuurselector **3** de gewenste temperatuur in.
 - ▶ De temperatuurselector **3** knippert en de ingestelde moet-temperatuur wordt in de temperatuurweergave **4** weergegeven.
2. Druk op de temperatuurselector **3**.
 - ▶ De saunakachel wordt ingeschakeld en begint te verwarmen.
 - ▶ In de temperatuurweergave **4** wordt de actuele temperatuur in de cabine weergegeven. In modus met een voeler wordt de moet-temperatuur weergegeven.

9.5. Combi-modus starten

1. Stel met de temperatuurselector **3** de gewenste temperatuur in.
 - ▶ De temperatuurselector **3** knippert en de ingestelde moet-temperatuur wordt in de temperatuurweergave **4** weergegeven.
2. Druk op de temperatuurselector **3**.
 - ▶ De saunakachel wordt ingeschakeld en begint te verwarmen.
 - ▶ In de temperatuurweergave **4** wordt de actuele temperatuur in de cabine weergegeven. In modus met een voeler wordt de moet-temperatuur weergegeven.
3. Stel met de vochtigheidsselector **2** de gewenste vochtigheid in.
 - ▶ De vochtigheidsselector **2** knippert en de ingestelde moet-vochtigheid wordt in de vochtigheidsweergave **1** weergegeven.
4. Druk op de vochtigheidsselector **2**.
 - ▶ De verdamper wordt ingeschakeld.
 - ▶ In de vochtigheidsweergave **1** wordt de actuele vochtigheid in de cabine weergegeven. Als geen vochtigheidstemperatuurvoeler is gemonteerd, wordt de moet-vochtigheid weergegeven.



Als de saunabesturing zonder vocht-temperatuurvoeler (FTS2) wordt gebruikt, is impulsbedrijf geactiveerd. Als de cabinetemperatuur zich onder 30 °C bevindt, wordt de verdamper gedurende 10 minuten continu ingeschakeld. Dit zorgt ervoor dat het water in de tank een basistemperatuur bereikt. Daarna wordt het impulsbedrijf gestart.



De verdamper kan alleen worden gestart, als de saunakachel is ingeschakeld. De maximaal instelbare streefwaarde voor vochtigheid is daarbij afhankelijk van de saunatemperatuur. Hoe hoger de saunatemperatuur, hoe lager de maximaal instelbare vochtigheidswaarde.

Uitzondering: Verdamper-singlemodus is geactiveerd (zie **8.4. Verdamper-singlemodus activeren op pagina 25**). Hier kan de verdamper ook zonder saunakachel in bedrijf worden gesteld, waarbij de maximale vochtigheid van de actuele cabinetemperatuur afhangt.

9.6. Moet-temperatuur wijzigen

U kunt tijdens bedrijf de ingestelde moet-temperatuur wijzigen.

- Draai de temperatuurselector **3** naar rechts om de temperatuur te verhogen. Draai de temperatuurselector **3** naar links om de temperatuur te verlagen.
 - ▶ De temperatuurselector **3** knippert en de ingestelde moet-temperatuur wordt in de temperatuurweergave **4** weergegeven.
 - ▶ Vervolgens wordt in de temperatuurweergave **4** weer de actuele temperatuur in de cabine weergegeven. In modus met een voeler wordt de moet-temperatuur weergegeven.

9.7. Moet-vochtigheid wijzigen

U kunt tijdens combimodus de ingestelde moet-vochtigheid wijzigen.

- Draai de vochtigheidsselector **2** naar rechts om de vochtigheid te verhogen. Draai de vochtigheidsselector **2** naar links om de vochtigheid te verlagen.
 - ▶ De vochtigheidsselector **2** knippert en de ingestelde moet-vochtigheid wordt in de vochtigheidsweergave **1** weergegeven.
 - ▶ Vervolgens wordt in de vochtigheidsweergave **1** weer de actuele vochtigheid in de cabine weergegeven. Als geen vochtigheidstemperatuurvoeler is gemonteerd, wordt de moet-vochtigheid weergegeven.

9.8. Stand-by voor bediening op afstand activeren

Conform EN 60335-2-53 moeten saunabesturingen met startfunctie op afstand handmatig op de bedrijfsmodus „Stand-by voor bediening op afstand” worden gezet. Deze activering moet na elke start en stop op afstand opnieuw worden uitgevoerd. Voer hiervoor de volgende stappen uit:

1. Druk gedurende drie seconden (longpress) op de temperatuurselector **3**.
 - ▶ De weergave van startfunctie op afstand **8** begint te knipperen.
 - ▶ De saunabesturing is nu klaar om via een signaal op afstand te worden gestart en gestopt.
 - ▶ Na uitgevoerde start en stop op afstand gaat de weergave startfunctie op afstand uit en moet de bedrijfsmodus opnieuw worden geactiveerd.

9.9. Voorselectietijd instellen



WAARSCHUWING!

Brandgevaar

Brandbare voorwerpen die op de hete saunakachel liggen kunnen ontvlammen en brand veroorzaken.

- Leg **NOOIT** brandbare voorwerpen op de saunakachel.
- Controleer of **GEEN** brandbare voorwerpen op de saunakachel liggen, alvorens de voorselectietijdfunctie te activeren.

U kunt de voorselectietijd in 15-minuten-stappen instellen. De maximale voorselectietijd bedraagt 24 uur. De voorselectietijd wordt in uren en minuten weergegeven. Zo worden bijvoorbeeld 8 uur en 15 minuten als 8.15 weergegeven.

1. Start de saunamodus of combimodus (zie punt **9.4** en **9.5**.)
2. Druk op de voorselectietoets **[7]**.
 - ▶ De temperatuurselector **[3]** knippert en in de temperatuurweergave **[4]** wordt de als laatste ingestelde voorselectietijd weergegeven.
3. Druk op de voorselectietoets **[7]** om de voorselectietijd in 15-minuten-stappen te verhogen.
4. Als de gewenste voorselectietijd is bereikt, dient u enkele seconden te wachten.
 - ▶ De saunabediening wisselt naar de stand-bymodus en de timer loopt.
 - ▶ In de temperatuurweergave **[4]** wordt de resterende selectietijd getoond en knippert de temperatuurselector **[3]**.
 - ▶ Na afloop van de voorselectietijd wordt de geselecteerde modus gestart.



De laatst ingestelde voorkeuzetijd wordt opgeslagen; zo kan met slechts een druk op de knop de laatste waarde worden opgeroepen. Om de voorselectietijd op 00:00 terug te zetten, drukt u drie seconden (longpress) op de voorkeuzetijd-toets

9.10. Voorselectietijdfunctie annuleren

- Druk gedurende drie seconden (longpress) op de voorselectietijdtoets **7** om de voorselectietijdfunctie te annuleren.
 - ▶ Het aflopen van de voorselectietijd wordt geannuleerd.
 - ▶ In de temperatuurweergave **4** wordt de actuele temperatuur in de cabine weergegeven. In modus met een voeler wordt de moet-temperatuur weergegeven.

9.11. Nadroogprogramma annuleren

Na combimodus wordt het nadroogprogramma automatisch gestart. Als de ventilator is ingeschakeld, wordt de saunacabine gedurende 30 minuten tot 80 °C opgewarmd. In de temperatuurweergave **4** wordt de tekst „dry” weergegeven.

- Druk gedurende drie seconden (longpress) op de temperatuurselector **3** om het nadroogprogramma te annuleren.



Om vorming van schimmel en vuil te voorkomen mag het nadroogprogramma NIET worden afgebroken.

9.12. Saunamodus uitschakelen

- Druk op de temperatuurknop **3**.
 - ▶ De saunakachel is uitgeschakeld. Na de gecombineerde werking (minimaal 3 minuten) wordt automatisch het nadroogprogramma gestart.

9.13. Saunabediening uitschakelen

- Druk op de IN/UIT-schakelaar **6** in om de saunabediening uit te schakelen.
 - ▶ De vochtigheidsweergave **1** en de temperatuurweergave **4** verdwijnen.
 - ▶ De saunabediening is uitgeschakeld.

10. Reiniging en onderhoud

10.1. Reiniging

ATTENTIE!**Schade aan het apparaat**

De saunabediening is spatwaterdicht, toch kan rechtstreeks contact met water het apparaat echter beschadigen.

- Dompel het apparaat **NOOIT** onder in water.
 - Giet geen water over het apparaat.
 - Reinig het apparaat niet te nat.
-

1. Drenk een reinigingsdoek in een zachte zeepoplossing.
2. Wring de reinigingsdoek goed uit.
3. Wis de behuizing van de saunabediening voorzichtig schoon.

10.2. Onderhoud

De saunabediening heeft geen onderhoud.

11. Afvoer



- Voer het verpakkingsmateriaal af volgens de geldende afvoer-richtlijnen.
- Oude apparaten bevatten opnieuw bruikbare materialen maar ook schadelijke stoffen. Deponeer uw oude apparaat daarom in geen geval bij het gewone afval, maar voer het apparaat af volgens de plaatselijk geldende voorschriften.

12. Probleemoplossing

12.1. Foutmeldingen

De saunabediening is uitgerust met diagnosesoftware die de systeemtoestanden controleert bij inschakeling en tijdens het bedrijf. Zodra de diagnosesoftware een fout vaststelt, schakelt de saunabediening de saunakachel uit.

Fouten worden door een herhaaldelijke, akoestische waarschuwingstoon en door knipperen van de vochtigheidsselector **2** en de temperatuurselector **3** weergegeven. Bovendien wordt in de vochtigheidsweergave **1** de tekst „Err” weergegeven. In de temperatuurweergave **4** wordt het foutnummer weergegeven.

Schakel de saunabediening met de IN/UIT-schakelaar **6** uit en los de fout op voordat u de saunabediening weer inschakelt.

De volgende tabel beschrijft de mogelijke fouten en de oorzaak ervan. Indien nodig deelt u het foutnummer mee aan uw klantendienst.

<i>Fouten</i>	<i>Omschrijving</i>	<i>Oorzaak / oplossing</i>
01	Veiligheidsuitschakeling	Er ligt een voorwerp op de saunakachel. Neem dit weg voordat u de saunakachel weer gebruikt. Neem 5.8. Veiligheidsuitschakeling aansluiten op pagina 19 in acht, indien er geen veiligheidsuitschakeling is gemonteerd.
02	Veiligheidstemperatuur-begrenzer	De maximale temperatuur van 139 °C boven de kachel werd overschreden.
04F1	Fout kachelvoeler	Defecte kachelvoeler, slecht contact of kortsluiting
06F2	Fout bankvoeler	Defecte bankvoeler, slecht contact of kortsluiting
07	Fout vochtigheidsvoeler	Defecte vochtigheidsvoeler, slecht contact of kortsluiting

12.2. Aanduiding watergebrek

De saunabediening beschikt in de combi-modus over een automatische uitschakeling bij watergebrek, voor zover uw combi-kachel dit ondersteunt.

Als de watertank van de verdamper leeg is, wordt dit aangegeven met een herhaaldelijke akoestische waarschuwingstoon en de tekst „FILL” in de vochtigheidsweergave **1**. Tegelijkertijd wordt de verdamper uitgeschakeld.

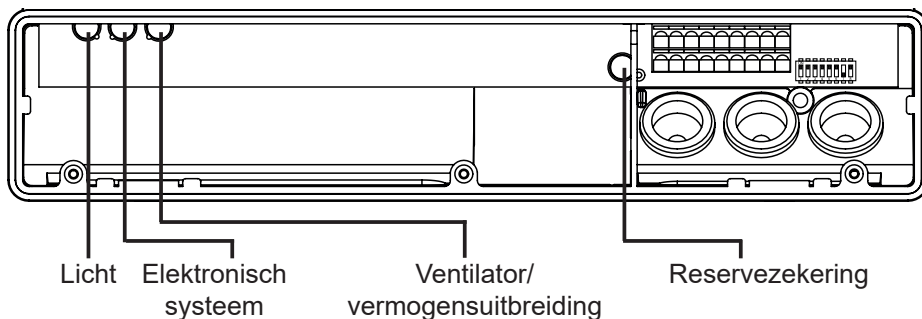
- Vul de watertank van de verdamper met water.
 - ▶ Na korte tijd verdwijnt de tekst „FILL” en wordt de verdamper weer verwarmd.

12.3. Zekeringen

In het aansluitbereik van de saunabesturing bevinden zich zekeringen voor licht, ventilator/vermogensuitbreiding en het elektronische systeem alsmede een reservezekering.

Dit zijn trage microzekeringen van 1A.

Ze kunnen worden besteld onder het artikelnummer PRO-FUSE.



Voor het vervangen van de zekering de zekeringhouder recht lostrekken en de nieuwe zekering plaatsen.

13. Technische gegevens

Omgevingsomstandigheden

Opslagtemperatuur:	-25 °C tot +70 °C
Omgevingstemperatuur:	-10 °C tot +40 °C
Luchtvochtigheid:	max. 95%

Saunabediening

Afmetingen:	307 x 175 x 57 mm
Schakelspanning / driefasig 3N:	400 V AC
Frequentie:	50 Hz
Schakelvermogen / verwarmingsapparaat:	3 x 3,5 kW
Schakelstroom per fase / verwarmingsapparaat:	16 A
Schakelvermogen / verdamper:	3,5 kW
Schakelstroom / verdamper:	16 A
Nominale spanning:	230 V
Beschermingsklasse (spatwaterdicht):	IPX4
Aansluiting op het voedingsnet als vaste bekabeling (vaste aansluiting)	

Licht

Schakelvermogen:	100 W
Zekering:	1A T

Ventilator

Schakelvermogen:	100 W
Zekering:	1A T

Instelbereiken

Temperatuur:	30 °C tot 110 °C
Vochtigheid:	0% tot 100%

Daarbij is de maximaal instelbare vochtigheid afhankelijk van de saunatemperatuur. Hoe hoger de saunatemperatuur, hoe lager de maximaal instelbare vochtigheidswaarde.

Thermische veiligheid

Kachelvoeler met oververhittingsbeveiliging (139 °C uitschakeltemperatuur)
Automatische begrenzing van de verwarmingstijd instelbaar (6 u, 12 u, 18 u, 24 u)*
Naar wens bediening met een of twee voelers

Aansluitkabels

Stroomtoevoerleiding:	min. 5 x 2,5 mm ²
Kacheltoevoerleiding (temperatuurbestendig tot 150 °C):	min. 2,5 mm ²
Voelerkabels (temperatuurbestendig tot 150 °C):	min. 0,5 mm ²
Lichtkabel:	min. 1,5 mm ²
Ventilatorkabel:	min. 1,5 mm ²

* EN 60335-2-53 schrijft voor privésauna's een begrenzing van de verwarmingstijd van 6 u voor. Voor sauna's in hotels, woonblokken en dergelijke is een verwarmingstijdbegrenzing van maximaal 12 u toegestaan. De uitbreiding van de verwarmingstijdbegrenzing tot 18 u of 24 u is alleen in publieke sauna's toegestaan.

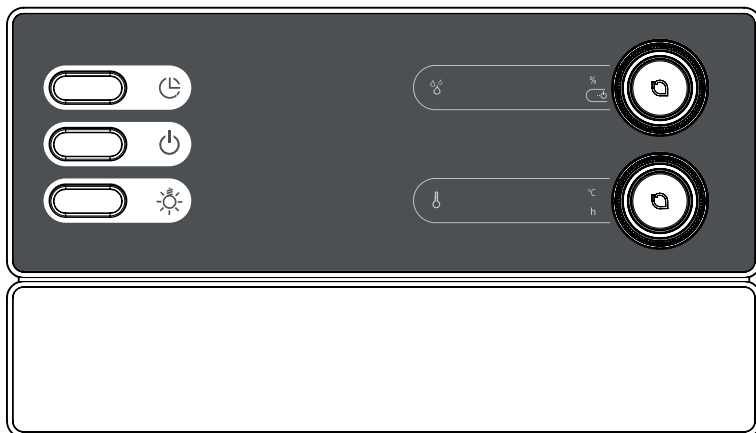
Styrenhet för bastu

Pro B3

PRO-B3

MONTERINGS- OCH BRUKSANVISNING

Svenska



SV

Innehållsförteckning

1. Om monterings- och bruksanvisningen	5
2. Viktig säkerhetsinformation	6
2.1. Ändamålsenlig användning	6
2.2. Säkerhetsanvisningar för installatören	7
2.3. Säkerhetsanvisningar för användaren	8
3. Produktbeskrivning	9
3.1. Leveransens innehåll	9
3.2. Alternativa tillbehör	9
3.3. Funktioner	9
3.4. Drifttyper	10
3.5. Driftsätt, givare	10
4. Montering	12
4.1. Montera styrenhet	12
4.2. Montera aggregatgivare F1 med övertemperaturskydd	14
4.3. Montera bänkgivare F2 (tillval)	15
4.4. Montera fukt-temperaturgivare FTS2 (tillval)	15
5. Elanslutning	16
5.1. Ansluta försörjningsledning, aggregat och förångare	17
5.2. Ansluta belysning	17
5.3. Ansluta fläkt (tillval)	18
5.4. Ansluta effektförstärkning (tillval)	18
5.5. Ansluta aggregatgivare F1	18
5.6. Ansluta bänkgivare F2 (tillval)	18
5.7. Ansluta fukt-temperaturgivare FTS2 (tillval)	19
5.8. Ansluta säkerhetsfrånkoppling	19
5.9. Fjärrstart	20
5.10. Avsluta installationen	20

6. Genomföra kontroller	21
7. Kopplingsschema	23
8. Idrifttagning	24
8.1. Ställa in värme-tidsbegränsning	24
8.2. Aktivera/avaktivera separat fasstyrning	25
8.3. Aktivera/avaktivera drift med en givare	25
8.4. Aktivera separat förångardrift	25
8.5. Visa aggregattemperatur vid drift med en givare	26
9. Användning	27
9.1. Kontrollelement/display	27
9.2. Slå på belysningen	27
9.3. Slå på styrenheten	28
9.4. Starta bastudriften	28
9.5. Starta kombidriften	29
9.6. Ändra bör-temperatur	30
9.7. Ändra bör-fukthalt	30
9.8. Aktivera standbyläge för fjärrfunktion	31
9.9. Ställa in timer	32
9.10. Avbryta timer	33
9.11. Avbryta eftertorkningsprogram	33
9.12. Slå av badstuedriften	33
9.13. Stänga av styrenheten	33
10. Rengöring och underhåll	34
10.1. Rengöring	34
10.2. Underhåll	34

11. Kassering	34
12. Problemlösningar	35
12.1. Felmeddelanden	35
12.2. Indikering för vattenbrist	36
12.3. Säkringar	36
13. Tekniska data	37

1. Om monterings- och bruksanvisningen

Läs hela monterings- och bruksanvisningen noga och förvara den sedan i närheten av styrenheten. Du kan då när som helst läsa de specifika säkerhets- och användningsanvisningarna.



Den här monterings- och bruksanvisningen kan även laddas ner från vår webbsida, www.sentiotec.com/downloads.

Symboler och varningar

I den här monterings- och bruksanvisningen används olika varningssymboler vid avsnitt som beskriver situationer som kan medföra fara eller risker av olika slag. Dessa varningar ska alltid beaktas. På så sätt undviker man sakskador och personskador som i värsta fall kan ha dödlig utgång.

Följande signalord används:



FARA!

Om de här varningarna/anvisningarna inte följs kan det leda till allvarliga eller livsfarliga skador.



VARNING!

Om de här varningarna/anvisningarna inte följs kan det leda till allvarliga eller livsfarliga skador.



FÖRSIKTIGHET!

Om de här varningarna/anvisningarna inte följs kan det leda till lindriga skador.

AKTA!

Varnar för sakskador.

Övriga symboler



Används vid tips och nyttig information.

2. Viktig säkerhetsinformation

Styrenheten Pro B3 har konstruerats och tillverkats enligt vedertagna säkerhetstekniska regler. Det kan ändå uppstå vissa risker under användningen. Följ alltid nedanstående säkerhetsanvisningar och observera de särskilda varningarna i resp. kapitel. Observera även säkerhetsanvisningarna till anslutna apparater.

2.1. Ändamålsenlig användning

Styrenheten Pro B3 ska endast användas för att styra och reglera funktionerna enligt tekniska data.

Styrenheten Pro B3 får endast användas till att reglera ett bastuaggregat som har klarat ett övertäckningstest enligt 19.101 i EN 60335-2-53. Om man inte kan uppfylla det här villkoret med aggregatet måste man vidta lämpliga säkerhetsförebyggande åtgärder (t.ex. genomföra en säkerhetsavstängning, se **5.8** på sidan **19**).

Styrenheten Pro B3 får endast användas för att styra och reglera 3 värmekretsar med en värmeeffekt på max. 3,5 kW per värmekrets. Max. förångareffekt är 3,5 kW.

All annan användning betraktas som ej ändamålsenlig. Ej ändamålsenlig användning kan leda till skador på produkten och innebära risk för allvarliga eller livsfarliga skador.

2.2. Säkerhetsanvisningar för installatören

- Montering/installation får endast utföras av elektriker eller personer med likvärdiga kvalifikationer.
- Arbeten på bastustyrningen får endast göras i spänningsfritt tillstånd.
- På plats ska en allpolig frånskiljare med komplett avstängning enligt överspänningskategori III installeras.
- Styrenheten ska monteras utanför bastun på ca 1,70 meters höjd eller enligt rekommendationen från bastuns tillverkare. Omgivningstemperaturen måste ligga inom området -10 °C och 40 °C.
- Aggregatgivaren ska monteras så att den inte påverkas av inströmmande luft.
- Ledningen till aggregatet måste ha en kabelarea på minst 2,5 mm² och vara temperaturbeständig upp till 150 °C.
- Följ gällande lokala bestämmelser.
- Om det uppstår problem som inte beskrivs tillräckligt detaljerat i monteringsanvisningarna ska du vända dig till leverantören/återförsäljaren för din egen säkerhets skull.

2.3. Säkerhetsanvisningar för användaren

- Barn under 8 år får inte använda styrenheten.
- Styrenheten får användas av barn över 8 år, av personer med nedsatt psykisk, sensorisk eller mental förmåga och av personer som saknar erfarenhet och kunskap under följande förutsättningar:
 - under uppsikt.
 - när de har instruerats om säker användning och känner till vilka risker som kan uppstå.
- Barn får inte leka med styrenheten.
- Barn under 14 år får endast rengöra styrenheten under uppsikt.
- Av hälsoskäl bör man inte bada bastu när man är påverkad av alkohol, läkemedel eller droger.
- Kontrollera att det inte finns några brännbara föremål på bastuaggregatet innan styrenheten slås på.
- Kontrollera att det inte finns några brännbara föremål på bastuaggregatet innan du aktiverar timerfunktionen eller standbyläget för fjärrstart.
- Om det uppstår problem som inte beskrivs tillräckligt detaljerat i bruksanvisningen ska du vända dig till leverantören/återförsäljaren för din egen säkerhets skull.

3. Produktbeskrivning

3.1. Leveransens innehåll

- Styrenhet för bastu
- Aggregatgivare med integrerat övertemperaturskydd
- Monteringsmaterial
- Bryggkoppling till klämmorna **V1** och **Wm** för kombiaggregat utan avstängning vid vattenbrist

3.2. Alternativa tillbehör

- Bänkgivare (artikelnummer: O-F2)
- Fukt-temperaturgivare (artikelnummer: O-FTS2)
- Effektförstärkning (artikelnummer: O-S2-18 / O-S2-30)
- Säkerhetsavstängning (artikelnummer: SFE-xxxxx)
- Webbserver pronet (Artikelnummer: PRO-NET)

3.3. Funktioner

Styrenheten Pro B3 har följande funktioner:

- Reglering av kombiaggregat med upp till 10,5 kW effekt och upp till 3,5 kW ångeffekt i ett temperaturområde från 30 °C till 110 °C och ett fuktighetsområde från 5 till 100 %.
- Med en effektförstärkning kan max. bryteffekt ökas från 10,5 kW till 18 kW eller 30 kW.
- Fjärrstartfunktion
- Timer (upp till 24 timmar)
- Automatisk värme-tidsbegränsning
Styrenheten stängs av automatiskt när max. uppvärmningstid har löpt ut. Max. uppvärmningstid kan ställas in på 6 h, 12 h, 18 h eller 24 h.
- Eftertorkningsprogram
Efter kombidriften startar eftertorkningsprogrammet automatiskt för att förhindra att mögel och röta bildas i bastukabinen. Bastun värms upp till 80 °C och fläkten aktiveras i 30 minuter.

- Övertemperatursäkring
Övertemperatursäkringen sitter i aggregatgivarens hölje. Om bastuaggregatet fortsätter att värma efter att inställd temperatur har nåtts stänger övertemperatursäkringen av bastuaggregatet automatiskt vid cirka 139 °C.

3.4. Drifttyper

Styrenheten Pro B3 har två driftsätt, bastu- och kombidrift.

Bastudrift

I bastudriften skapas torr värme. Temperaturen i bastun är hög (80 till 100 °C). Fuktvärdet är lågt, max. 10 %.

Kombidrift

I kombidriften är både bastuaggregatet och förångaren i drift. Temperaturen i bastun är lägre (ca 40 till 65 °C) än vid bastudrift, men den relativa luftfuktigheten är betydligt högre, från 35 % till 70 %. Max. inställningsbar fuktighet beror på bastutemperaturen. Ju högre bastutemperatur, desto lägre max. inställningsbart fuktvärde.

3.5. Driftsätt, givare

Styrenheten kan drivas med en eller två givare. Som andra givare kan en temperaturgivare (bänkgivare, F2) eller en fukt-temperaturgivare (FTS2) användas.

Drift med en givare (F1)

Drift med en givare måste aktiveras vid idrifttagning (se **8.3. Aktivera/avaktivera drift med en givare** på sidan 25).

I drift med en givare drivs styrenheten endast med aggregatgivaren med övertemperaturskydd (F1). Den ingår i leveransen.

I drift med en givare visar styrenheten som standard bara avsedd temperatur. År-temperatur visas inte. När styrenheten ska visa temperaturen ovanför aggregatet i drift med en givare (F1-givare) som år-temperatur måste detta aktiveras vid idrifttagningen (se **8.5. Visa aggregattemperatur vid drift med en givare** på sidan 26).

Det maximalt inställningsbara fuktvärdet riktar sig efter temperaturen ovanför aggregatet och fuktigheten justeras efter temperaturen. På styrenhetens display visas endast bör-värdet för fuktighet (i % relativ fuktighet). Den faktiska fuktigheten i bastun beror på bastuns storlek och förångarens effekt och kan avvika från inställt bör-värde.

Drift med två givare (F2)

I drift med två givare monteras en andra temperaturgivare (bänkgivare) ovanför den bakre bastubänken. Styrenheten visar temperaturen från bänkgivaren som faktisk temperatur.

I drift med två givare med bänkgivare tillförs fukt med jämna mellanrum. På styrenhetens display visas endast bör-värdet för fuktighet (i % relativ fuktighet). Den faktiska fuktigheten i bastun beror på bastuns storlek och förångarens effekt och kan avvika från inställt bör-värde.

Drift med två givare med fukt-temperaturgivare (FTS2)

I drift med två givare med en fukt-temperaturgivare visar styrenheten temperaturen från fukt-temperaturgivaren som faktisk temperatur.

I drift med två givare med en fukt-temperaturgivare regleras förångaren efter uppmätt fuktighet i bastun. På styrenhetens display visas den faktiska fuktigheten i bastun (i % relativ fuktighet).

4. Montering

4.1. Montera styrenhet

AKTA!

Skador på produkten

Styrenheten är skyddad mot stänkvatten, men den kan skadas vid direkt kontakt med vatten.

- Montera styrenheten på ett torrt ställe där max. luftfuktigheten aldrig överskrider 95 %.
-

OBS!

Störkällor kan påverka signalöverföringen

- Dra alla givarledningar separat från andra nätledningar och styrledningar.
 - Isolerade ledningar skyddas enkelt med ett rör (dubbel isolering).
-

Observera följande punkter vid montering av styrenheten:

- Styrenheten ska monteras utanför bastun eller enligt rekommendationen från bastuns tillverkare.
- Omgivningstemperaturen måste ligga inom området -10 °C och +40 °C.
- Alla givare får endast anslutas med de bifogade givarledningarna som är temperaturbeständiga upp till 150 °C.



Givarledningar får endast förlängas under följande förutsättningar:

- En värmebeständig (upp till 150 °C) silikonkabel används.
 - Min. kabelarea är 0,5 mm².
 - Kablarna till aggregatgivaren får INTE vara längre än 10 m.
-

Gå igenom följande steg för att montera styrenheten:

1. Skruva in två stjärnskruvar (16 mm) på ca 1,70 m höjd i bastuväggen tills 7 mm sticker ut. De båda skruvarna måste ha ett avstånd på 145 mm (se Abb.1).
2. Tryck in klämlåsen **C** med en skruvmejsel och ta av locket (se Abb.2).

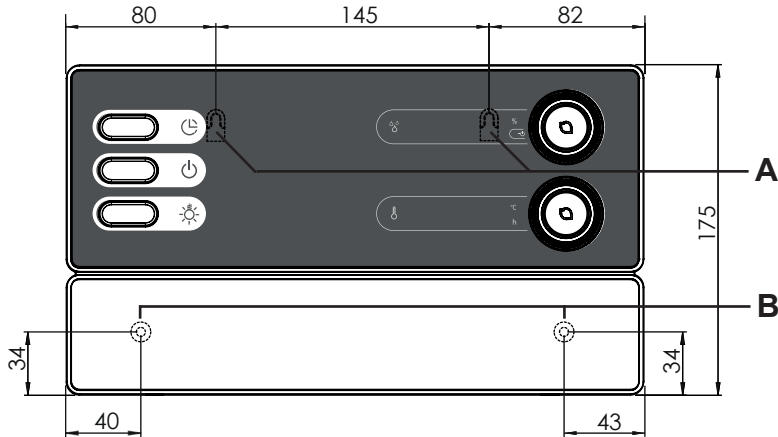


Bild1 Position på upphängningsanordningen och monteringshålén (mått i mm)

3. Häng upp styrenheten i upphängningsanordningen **A** på de inskruvade skruvarna (se Abb.1).
4. Skruva in två stjärnskruvar (16 mm) i de nedre hålen **B** (se Abb.1).

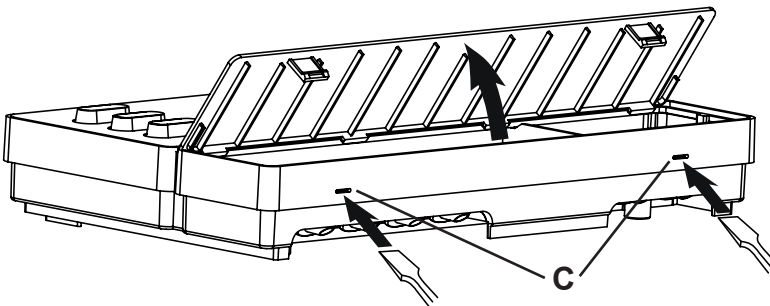


Bild2 Ta av locket

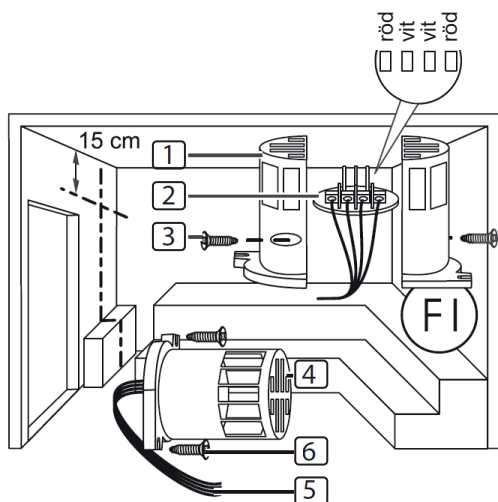
4.2. Montera aggregatgivare F1 med övertemperaturskydd

Observera följande punkter vid montering av aggregatgivaren:

- Aggregatgivaren ska monteras på aggregatets baksida ovanför mitten av aggregatet. Den måste sitta minst 15 cm från bastuns tak.
- Aggregatgivaren ska monteras så att den inte påverkas av inströmmande luft.

Gå igenom följande steg för att montera aggregatgivaren (se **Bild3**):

1. Dra de båda tvåpoliga aggregatgivarledningarna genom bastuväggen till aggregatgivarens monteringsplats och fixera dem med kabelklämmor.
2. Särå på aggregatgivarens halvskal [1].
3. Kläm fast aggregatgivarledningens [5] fyra anslutningar enligt Bild 3.
4. Lägg anslutningsplattan [2] på tvären (enligt **Bild3**) i aggregatgivarens halvskal.
5. Stäng halvskalen, fixera med de båda stjärnskruvarna [3] (9 mm) och kontrollera att aggregatgivaren sitter fast ordentligt.
6. Montera aggregatgivaren på aggregatets baksida med de båda bifogade träskruvarna [6] (16 mm).



- [1] Aggregatgivarens halvskal
- [2] Anslutningsplatta
- [3] Stjärnskruvar (9 mm)
- [4] Aggregatgivare
- [5] Kablar till aggregatgivare
- [6] Träskruvar (16 mm)

Bild3 Montera aggregatgivare

4.3. Montera bänkgivare F2 (tillval)

Bänkgivaren ska monteras på bastuväggen ovanför den bakre bastubänken. Den måste sitta minst 15 cm från bastuns tak.

Gå igenom följande steg för att montera bänkgivaren:

1. Dra den tvåpoliga bänkgivarledningen genom bastuväggen till bänkgivarens monteringsplats och fixera med kabelklämmor.
2. Sära på bänkgivarens halvskal.
3. Kläm fast bänkgivarledningens båda anslutningar på anslutningsplattans båda mellersta klämmor.
4. Lägg anslutningsplattan på tvären i bänkgivarens halvskal.
5. Stäng halvskalen och fixera med de båda stjärnskruvarna (9 mm).
6. Kontrollera att bänkgivaren sitter fast ordentligt.
7. Montera bänkgivaren på bastuväggen med de båda bifogade träskruvarna (16 mm). Avståndet till bastuns tak ska vara minst 15 cm.

4.4. Montera fukt-temperaturgivare FTS2 (tillval)

Fukt-temperaturgivaren ska monteras på bastuväggen ovanför den bakre bastubänken. Avståndet till bastuns tak ska vara minst 15 cm.

Gå igenom följande steg för att montera fukt-temperaturgivaren:

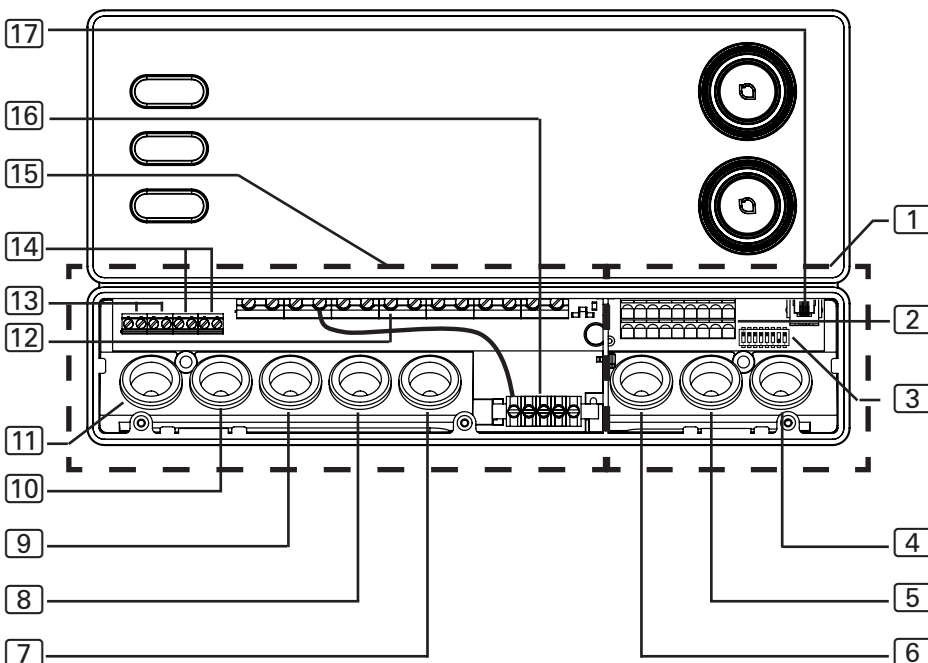
1. Dra den fempoliga fukt-temperaturgivarledningen genom bastuväggen till fukt-temperaturgivarens monteringsplats och fixera med kabelklämmor.
2. Montera fukt-temperaturgivaren på bastuväggen med de båda bifogade träskruvarna (16 mm). Avståndet till bastuns tak ska vara minst 15 cm.

5. Elanslutning

OBS!

Skador på produkten

- Styrenheten får endast användas för att styra och reglera 3 värmekretsar med en värmeeffekt på max. 3,5 kW per värmekrets. Max. förångareffekt är 3,5 kW.



- | | |
|---|---|
| 1 Anslutningsområde för lågspänning | 9 Kabelhål för försörjningsledning |
| 2 Kopplingslist för säkerhetsavstängning, fjärrstart och givarledning | 10 Kabelhål för effektförstärkning |
| 3 Funktionsomkopplare | 11 Kabelhål för belysning och fläkt |
| 4 Kabelhål för F2- och FTS2-givare | 12 Kopplingslist för aggregat-, förångar- och försörjningsledning |
| 5 Kabelhål för F1-givare | 13 Kopplingslist för belysning och fläkt |
| 6 Kabelhål för säkerhetsavstängning och fjärrstart | 14 Kopplingslist för effektförstärkning |
| 7 Kabelhål för förångarledning | 15 Anslutningsområde för 230 V/400 V |
| 8 Kabelhål för aggregatledning | 16 Jordning |
| | 17 RJ45-uttag till RS-485 och pronet |

Observera följande punkter vid elektrisk anslutning av styrenheten:

- Montering/installation får endast utföras av elektriker eller personer med likvärdiga kvalifikationer.



Observera: vid garantianspråk ska en kopia på fakturan från den elektriker som har utfört arbetet bifogas.

- Arbeten på bastustyrningen får endast göras i spänningsfritt tillstånd.
- Den elektriska anslutningen måste vara en fast anslutning.
- På plats ska en allpolig frånskiljare med komplett avstängning enligt över-spänningskategori III installeras.
- Observera elschemat (**Bild4**) på sidan 23.

5.1. Ansluta försörjningsledning, aggregat och förångare

1. Dra försörjningsledning, aggregat- och förångarledning genom hålen **9**, **8**, **7** till anslutningsområdet för 230 V/400 V **15**.
2. Anslut ledningen till kopplingslisten **12** enligt elschemat. Observera bruksanvisningen till respektive apparat.
3. Om förångaren inte har en automatisk avstängning för vattenbrist ska dessutom följande steg genomföras:
 - Anslut den bifogade bryggkopplingen mellan klämma "**V1**" och klämma "**Wm**".

5.2. Ansluta belysning

1. Dra belysningsledningen genom hålet **11** till anslutningsområdet för 230 V/400 V **15**.
2. Anslut belysningsledningen till kopplingslisten **13** enligt elschemat. Observera bruksanvisningen till respektive apparat.

5.3. Ansluta fläkt (tillval)

1. Dra fläktledningen genom hålet [11] till anslutningsområdet för 230 V/400 V [15].
2. Anslut fläktledningen till kopplingslisten [13] enligt elschema. Observera bruksanvisningen till respektive apparat.

5.4. Ansluta effektförstärkning (tillval)

1. Dra ledningen för effektförstärkning genom hålet [10] till anslutningsområdet för 230 V/400 V [15].
2. Anslut ledningen för effektförstärkning till kopplingslisten [14] enligt elschemat. Använd klämma "ST1" för säkerhetskretsen och klämma "ST2" för styrkretsen. Observera bruksanvisningen till respektive apparat.

5.5. Ansluta aggregatgivare F1

1. Dra aggregatgivarens anslutningsledningar genom hålet [5] till anslutningsområdet för lågspänning [1].
2. Anslut de röda aggregatgivarledningarna till klämmorna med texten "STB" på kopplingslisten [2].
3. Anslut de vita aggregatgivarledningarna till klämmorna med texten "F1" på kopplingslisten [2].

5.6. Ansluta bänkgivare F2 (tillval)

1. Dra bänkgivarens anslutningsledningar genom hålet [4] till anslutningsområdet för lågspänning [1].
2. Anslut bänkgivarens ledningar till klämmorna med texten "F2" på kopplingslisten [2].

5.7. Ansluta fukt-temperaturgivare FTS2 (tillval)

1. Dra givarens anslutningsledningar genom hålet **[4]** till anslutningsområdet för lågspänning **[1]**.
2. Anslut temperaturgivarens ledningar till klämmorna med texten "**F2**" på kopplingslisten **[2]**.
 - a. Anslut den svarta ledningen till den högra klämman.
 - b. Anslut den bruna ledningen till den vänstra klämman.
3. Anslut fuktgivarens ledningar till klämmorna med texten "**+ S -**" på kopplingslisten **[2]**.
 - c. Anslut den gröna ledningen till klämman "**+**".
 - d. Anslut den orangefärgade ledningen till klämman "**S**".
 - e. Anslut den röda ledningen till klämman "**-**".

5.8. Ansluta säkerhetsfrånkoppling

Enligt EN 60335-2-53 får bastustyrenheter med fjärrstyrning endast användas för bastuaggregat som har genomgått och klarat ett övertäckningstest enligt avsnitt 19.101. Alternativt kan en säkerhetsavstängning installeras ovanför eller i aggregatet. Den stänger av aggregatet när föremål, t.ex. en handduk, ligger på aggregatet.

Gå igenom följande steg för att montera säkerhetsavstängningen:

1. Montera säkerhetsavstängningen enligt dess bruksanvisning.
2. Dra säkerhetsavstängningens anslutningsledningar genom hålet **[6]** till anslutningsområdet för lågspänning **[1]**.
3. Anslut ledningarna till klämmorna med texten "**OSG**" på kopplingslisten **[2]**.



Om ingen säkerhetsavstängning monteras, måste en bryggkoppling sättas vid klämmor som är märkta med **OSG**.

5.9. Fjärrstart

Anslutningen ska göras med klämmorna "S", "B" och "C". "S" står för bastudrift och "C" för förångardrift. "B" är en +24 V DC-utgång. Den måste kopplas via en brytare eller aktuator till klämman för önskad drifttyp.

5.10. Avsluta installationen

1. Anslut försörjningsledningens skyddsledning och alla apparater till jordningen [16](#).
2. Sätt locket på anslutningsboxens överkant.
3. Tryck in klämlåsen och tryck ner locket tills det klickar fast.

6. Genomföra kontroller

Följande kontroller måste genomföras av en behörig elektriker.



WARNING!

Följande kontroller genomförs med strömmen påslagen. Risk för strömstötar.

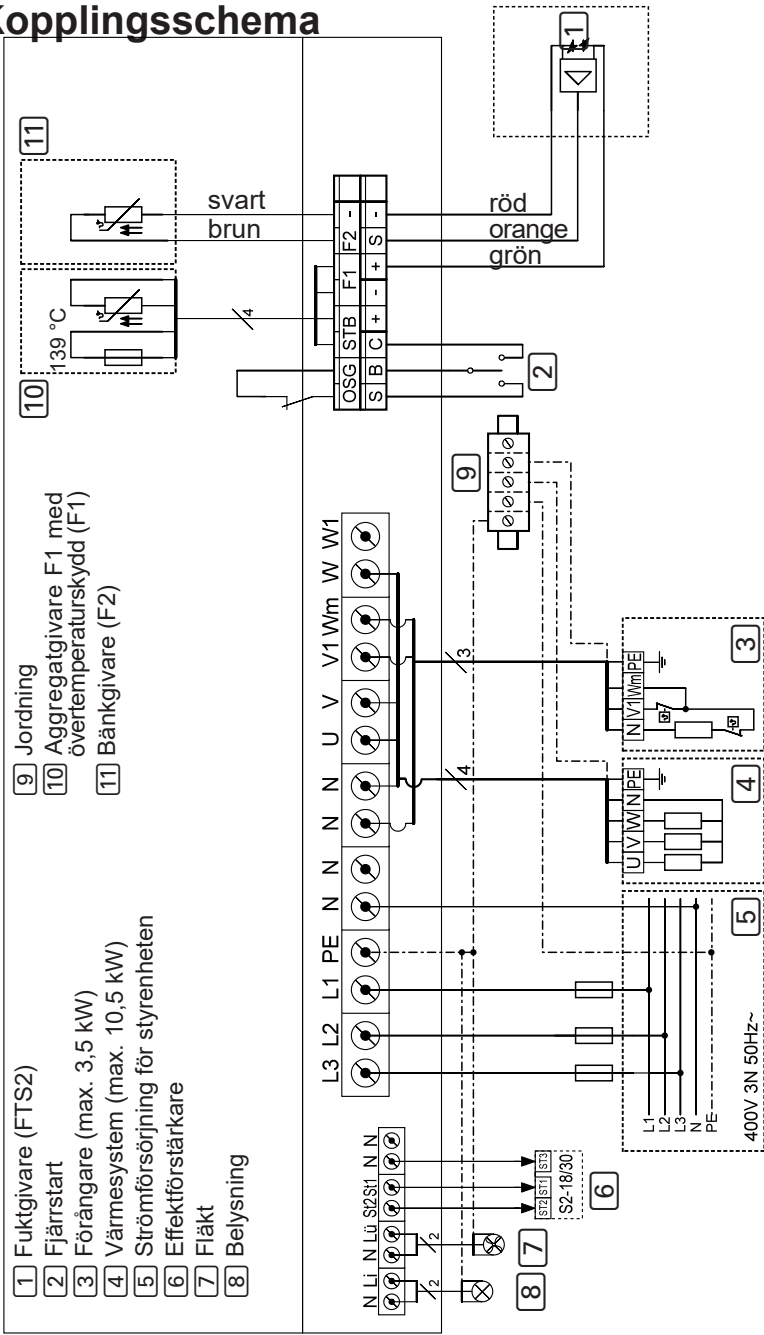
- Vidrör ALDRIG spänningsförande delar.

1. Kontrollera jordledningarnas kontakt på skyddsledaranslutningen.
2. Kontrollera aggregatgivarens F1 övertemperaturskydd.
 - a. Slå på styrenheten.
 - b. Öppna aggregatgivaren och koppla bort en av de två röda givarkablarna.
 - ▶ På den övre displayen visas "Err", på den nedre displayen visas "02" och styrenheten stänger av aggregatet.
 - c. Stäng av styrenheten.
 - d. Anslut den röda givarkabeln igen.
 - e. Koppla nu bort en av de vita givarkablarna.
 - f. Slå på styrenheten.
 - ▶ På den övre displayen visas "Err", på den nedre displayen visas "04F1" och styrenheten stänger av aggregatet.
 - g. Stäng av styrenheten.
 - h. Anslut den vita givarkabeln igen.
3. Kontrollera fasgenomkopplingen för bastudrift L1, L2, L3 till U, V, W.
4. Kontrollera fasgenomkopplingen för förångardrift L1, L2, L3 till U, V1, W.

5. Kontrollera max. tillåten värmeeffekt på styrenheten, 3,5 kW för varje fas.
6. Vid alternativ effektförstärkning
 - a. Kontrollera styrledningarna ST1, ST2 och ST3.
 - b. Kontrollera max. tillåten värmeeffekt på effektförstärkningen S2-18, 3 kW på varje fas.
 - c. Kontrollera max. tillåten värmeeffekt på effektförstärkningen S2-30, 7 kW på varje fas.

7. Kopplingschema

Bild4 Elschema



- 1 Fuktgivare (FTS2)
- 2 Fjärrstart
- 3 Förångare (max. 3,5 kW)
- 4 Värmesystem (max. 10,5 kW)
- 5 Strömförsörjning för styrenheten
- 6 Effektförstärkare
- 7 Fläkt
- 8 Belysning

- 9 Jordning
- 10 Aggregatgivare F1 med övertemperaturskydd (F1)
- 11 Bänkgivare (F2)

8. Idrifttagning

Olika produktfunktioner kan aktiveras via funktionsomkopplaren i anslutningsområdet för lågspänning. Bilden till höger visar funktionsomkopplarens standardinställning.

Observera att styrningen måste stängas av i 10 sekunder när man gjort ändringar för att inställningarna ska sparas.

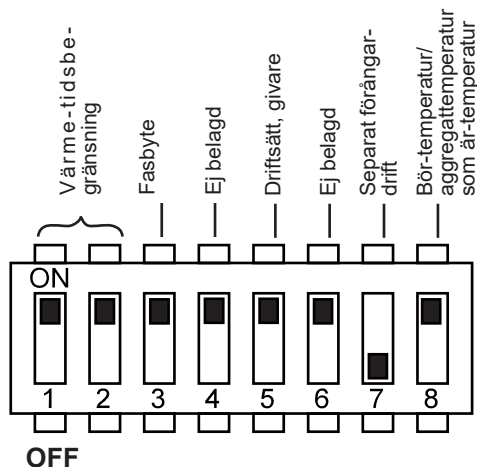


Bild5 Funktionsomkopplare - standardinställning

8.1. Ställa in värme-tidsbegränsning

Max. uppvärmningstid är som standard inställd på 6 h. Styrenheten stängs av automatiskt när max. uppvärmningstid har löpt ut.

Funktionsomkopplaren i anslutningsområdet för lågspänning kan användas för att ställa in max. uppvärmningstid på 12 h, 18 h eller 24 h. Information om hur funktionsomkopplaren ska ställas in för detta hittar du i tabellen till höger.

<i>Funktionsomkopplare</i>	1	2
6 h	ON	ON
12 h	OFF	ON
18 h	ON	OFF
24 h	OFF	OFF



EN 60335-2-53 föreskriver en värme-tidsbegränsning på 6 h för privata bastur. På bastur i hotell, flerfamiljshus och liknande platser kan en värme-tidsbegränsning på 12 h användas. Endast på offentliga bastur kan värme-tidsbegränsning förlängas till 18 h eller 24 h.

8.2. Aktivera/avaktivera separat fasstyrning

Separat fasstyrning aktiveras/avaktiveras via funktionsomkopplaren **3**.

- Som standardinställning står funktionsomkopplaren **3** på ON-läge. Separat fasstyrning är därmed aktiverat.
- Om man vill avaktivera separat fasstyrning, ska funktionsomkopplaren **3** ställas på OFF-läge.

8.3. Aktivera/avaktivera drift med en givare

I drift med en givare drivs styrenheten endast med aggregatgivaren med övertemperaturskydd (F1-givare). Drift med en givare måste aktiveras med funktionsomkopplaren **5**.

- Som standardinställning står funktionsomkopplaren **5** på ON-läge. Drift med två givare är därmed aktiverad.
- Om man vill aktivera drift med en givare ska funktionsomkopplaren **5** ställas på OFF-läge.

8.4. Aktivera separat förångardrift

Enligt fabriksinställningarna kan förångaren endast ställas in tillsammans med värmesystemet. För att använda förångaren separat, utan värmesystem, måste separat förångardrift aktiveras med funktionsomkopplaren **7**.

- Som standardinställning står funktionsomkopplaren **7** på OFF-läge. Då är den separata förångardriften avaktiverad.
- Om du vill aktivera separat förångardrift sätter du funktionsomkopplaren **7** på ON-läge.

8.5. Visa aggregattemperatur vid drift med en givare

I drift med en givare visar styrenheten som standard endast avsedd temperatur. Är-temperatur visas inte. När styrenheten ska visa temperaturen ovanför aggregatet i drift med en givare (F1-givare) som är-temperatur, måste detta aktiveras med funktionsomkopplaren **8**.

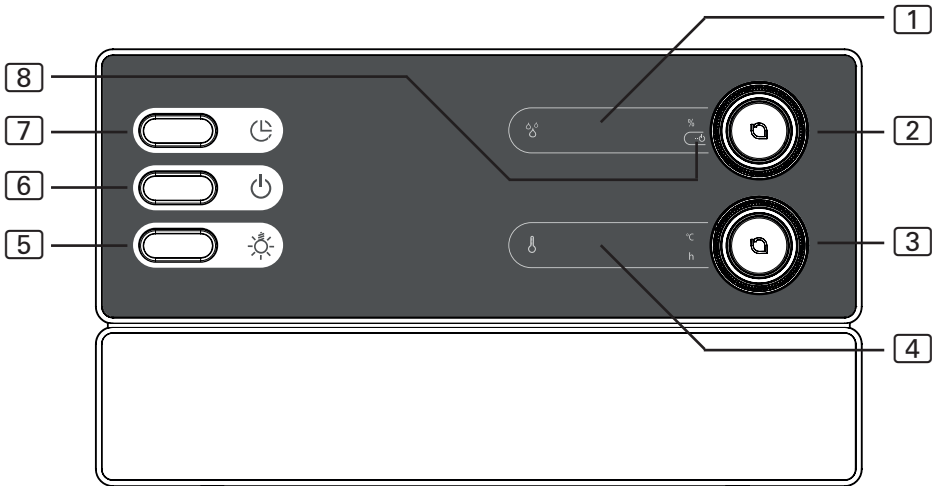
- Som standardinställning står funktionsomkopplaren **8** på ON-läge. Nu visas endast bör-temperaturen.
- Om temperaturen ovanför aggregatet ska visas som är-temperatur, ställs funktionsomkopplaren **8** på OFF-läge.



Observera att temperaturen ovanför aggregatet alltid är högre än vid bastubänkarna. Med aggregattemperatur som är-temperatur kommer den temperatur som styrenheten visar att vara högre än temperaturen på kabintermometern.

9. Användning

9.1. Kontrollelement/display



1 Fuktdisplay

2 Fuktväljare

3 Temperaturväljare

4 Temperaturdisplay

5 Belysningsknapp

6 PÅ/AV knapp

7 Timerknapp

8 Fjärrstartdisplay

9.2. Slå på belysningen

Belysningen i bastun kan slås på/stängas av oberoende av PÅ/AV knappen 6.

- Tryck på belysningsknappen 5 för att slå på och stänga av belysningen.

9.3. Slå på styrenheten

**VARNING!****Brandrisk!**

Brännbara föremål som ligger på det varma bastuaggregatet kan antändas och orsaka eldsvåda.

- Lägg ALDRIG brännbara föremål på bastuaggregatet.
- Kontrollera att det INTE finns några brännbara föremål på bastuaggregatet innan styrenheten slås på.

- Tryck på PÅ/AV knappen **6** för att slå på styrenheten.
 - ▶ På fuktdisplayen **1** visas "0" under några sekunder. Därefter visas den aktuella fukthalten i kabinen. Om ingen fuktgivare har installerats visas det senaste inställda värdet för fukt.
 - ▶ På temperaturdisplayen **4** visas "0" under några sekunder. Därefter visas den aktuella temperaturen i kabinen. I drift med en givare visas den senaste inställda bör-temperaturen.

9.4. Starta bastudriften

1. Ställ in önskad temperatur med temperaturväljaren **3**.
 - ▶ Temperaturväljaren **3** blinkar och den inställda bör-temperaturen visas på temperaturdisplayen **4**.
2. Tryck på temperaturväljaren **3**.
 - ▶ Bastuaggregatet slås på och påbörjar uppvärmningen.
 - ▶ På temperaturdisplayen **4** visas den aktuella temperaturen i kabinen. I drift med en givare visas bör-temperaturen.

9.5. Starta kombidriften

1. Ställ in önskad temperatur med temperaturväljaren **3**.
 - ▶ Temperaturväljaren **3** blinkar och den inställda bör-temperaturen visas på temperaturdisplayen **4**.
2. Tryck på temperaturväljaren **3**.
 - ▶ Bastuaggregatet slås på och påbörjar uppvärmningen.
 - ▶ På temperaturdisplayen **4** visas den aktuella temperaturen i kabinen. I drift med en givare visas bör-temperaturen.
3. Ställ in önskad fukthalt med fuktväljaren **2**.
 - ▶ Fuktväljaren **2** blinkar och den inställda bör-fukthalten visas på fuktdisplayen **1**.
4. Tryck på fuktväljaren **2**.
 - ▶ Förångaren slås på.
 - ▶ På fuktdisplayen **1** visas den aktuella fukthalten i kabinen. Om ingen fuktgivare har installerats visas bör-fukthalt.



Om bastuns styrenhet används utan fukt- och temperaturgivare (FTS2) är intervalldriften aktiverad. Om temperaturen inuti kabinen ligger under 30° C kopplas förångaren på i 10 minuter. På så sätt kommer vattnet i tanken upp till en grundtemperatur. Därefter börjar intervalldriften.



Förångaren kan endast startas om bastuaggregatet är påkopplat. Max. inställningsbar fuktighet beror på bastutemperaturen. Ju högre bastu-temperatur, desto lägre max. inställningsbart fuktvärde.

Undantag: Separat drift av förångaren är aktiverad (se **8.4. Aktivera separat förångardrift på sidan 25**). Då kan förångaren tas i drift även utan bastuaggregat och den maximala fuktigheten beror på temperaturen inuti kabinen.

9.6. Ändra bör-temperatur

Under drift kan du när som helst ändra den inställda bör-temperaturen.

- Vrid temperaturväljaren **3** åt höger för att höja temperaturen.
Vrid temperaturväljaren **3** åt vänster för att sänka temperaturen.
 - ▶ Temperaturväljaren **3** blinkar och den inställda bör-temperaturen visas på temperaturdisplayen **4**.
 - ▶ Därefter visas den aktuella kabintemperaturen på temperaturdisplayen **4**. I drift med en givare visas bör-temperaturen.

9.7. Ändra bör-fukthalt

Under kombidrift kan du när som helst ändra den inställda bör-fukthalten.

- Vrid fuktväljaren **2** åt höger för att höja fukthalten.
Vrid fuktväljaren **2** åt vänster för att sänka fukthalten.
 - ▶ Fuktväljaren **2** blinkar och den inställda bör-fukthalten visas på fuktdisplayen **1**.
 - ▶ Därefter visas återigen den aktuella fukthalten i kabinen på fuktdisplayen **1**. Om ingen fuktgivare har installerats visas bör-fukthalt.

9.8. Aktivera standbyläge för fjärrfunktion

Enligt EN 60335-2-53 måste styrenheter med fjärrstartsfunktion sättas på driftläge "Standby för fjärrfunktion" manuellt. Funktionen måste aktiveras igen efter varje fjärrstart med fjärrstopp. Gör på följande sätt:

1. Håll temperaturväljaren **3** intryckt i tre sekunder.
 - ▶ Fjärrstartdisplayen **8** börjar blinka.
 - ▶ Styrenheten är nu klar att startas och stannas med en fjärrstartsignal.
 - ▶ Efter en fjärrstart med fjärrstopp slocknar fjärrstartdisplayen och drifttypen måste aktiveras igen.

9.9. Ställa in timer



VARNING!

Brandrisk!

Brännbara föremål som ligger på det varma bastuaggregatet kan antändas och orsaka eldsvåda.

- Lägg ALDRIG brännbara föremål på bastuaggregatet.
- Kontrollera att det INTE finns några brännbara föremål på bastuaggregatet innan du aktiverar timerfunktionen.

Du kan ställa in timertiden i steg på 15 minuter. Max. timertid är 24 timmar. Den förinställda tiden visas i timmar och minuter. Till exempel visas 8 timmar och 15 minuter som 8.15.

1. Starta bastudrift eller kombidrift (se punkt **9.4** och **9.5**.)
2. Tryck på timerknappen **7**.
 - ▶ Temperaturväljaren **3** blinkar och på temperaturdisplayen **4** visas den senast inställda tiden.
3. Tryck på timerknappen **7** för att öka den förinställda tiden i steg på 15 minuter.
4. Vänta några sekunder när önskad tid har ställts in.
 - ▶ Styrenheten övergår till standbyläge och timern går.
 - ▶ På temperaturdisplayen **4** visas återstående tid och temperaturväljaren **3** blinkar.
 - ▶ När den förinställda tiden har löpt ut startas vald drift.



Den senast inställda tiden sparas, sedan kan det senaste värdet tas fram med endast en knapptryckning. För att återställa tiden till 00:00, håller du timerknappen intryckt i tre sekunder.

9.10. Avbryta timer

- Tryck på timerknappen **[7]** i tre sekunder för att avbryta timerfunktionen.
 - ▶ Den inställda timertiden avbryts.
 - ▶ På temperaturdisplayen **[4]** visas den aktuella temperaturen i kabinen. I drift med en givare visas bör-temperaturen.

9.11. Avbryta eftertorkningsprogram

Efter kombidriften startas eftertorkningsprogrammet automatiskt. Bastun värms upp till 80 °C och fläkten aktiveras i 30 minuter. På temperaturdisplayen **[4]** visas texten "dry".

- Tryck på temperaturväljaren **[3]** i tre sekunder för att avbryta eftertorkningsprogrammet.



För att förhindra att mögel och röta bildas, bör eftertorkningsprogrammet INTE avbrytas.

9.12. Slå av badstuedriften

- Tryck på temperaturvelgeren **[3]**.
 - ▶ Badstueovnen er slått av. Efter den kombinerade driften (minst 3 minuter) startas torkprogrammet automatisk.

9.13. Stänga av styrenheten

- Tryck på PÅ/AV knappen **[6]** för att stänga av styrenheten.
 - ▶ Fuktdisplayen **[1]** och temperaturdisplayen **[4]** slocknar.
 - ▶ Styrenheten är avstängd.

10. Rengöring och underhåll

10.1. Rengöring

AKTA!**Skador på produkten**

Styrenheten är skyddad mot stänkvatten, men den kan skadas vid direkt kontakt med vatten.

- Doppa ALDRIG apparaten i vatten.
 - Håll ALDRIG vatten över apparaten.
 - Rengör inte apparaten med för mycket vatten.
-

1. Doppa en trasa i mild tvållösning.
2. Vrid ur trasan ordentligt.
3. Torka försiktigt av styrenhetens hölje.

10.2. Underhåll

Styrenheten är underhållsfri.

11. Kassering



- Ta hand om förpackningsmaterialet enligt gällande bestämmelser.
- Enheterna innehåller både återvinningsbart material och skadliga ämnen. Släng inte en uttjänt produkt i hushållssoporna, utan lämna den till återvinning enligt gällande bestämmelser.

12. Problemlösningar

12.1. Felmeddelanden

Styrenheten är utrustad med diagnosmjukvara som kontrollerar systemet vid start och under drift. När diagnosmjukvaran registrerar ett fel stänger styrenheten av bastuaggregatet.

Vid fel ljuder en återkommande varningssignal och fuktväljaren [2] och temperaturväljaren [3] blinkar. På fuktdisplayen [1] visas texten "Err". På temperaturdisplayen [4] visas felnumret.

Stäng av styrenheten med PÅ/AV knappen [6] och åtgärda felet innan styrenheten slås på igen.

Följande tabell beskriver möjliga fel och deras orsak. Informera kundtjänst om felnumret vid behov.

<i>Fel</i>	<i>Beskrivning</i>	<i>Orsak/åtgärd</i>
01	Säkerhetsavstängning	Ett föremål ligger på aggregatet. Ta bort föremålet innan aggregatet tas i drift igen. Observera 5.8. Ansluta säkerhetsfrånkoppling på sidan 19 om ingen säkerhetsavstängning monterats.
02	Säkerhetstemperaturbe- gränsare	Den maximala temperaturen på 139 °C ovanför aggregatet överskreds.
04F1	Fel på aggregatgivaren	Defekt aggregatgivare, dålig kontakt eller kortslutning
06F2	Fel på bänkgivaren	Defekt bänkgivare, dålig kontakt eller kortslutning
07	Fel på fuktgivaren	Defekt fuktgivare, dålig kontakt eller kortslutning

12.2. Indikering för vattenbrist

I kombidrift har styrenheten en automatisk avstängning för vattenbrist, såvida kombiaggregatet understöder detta.

Om förångarens vattentank är tom signaleras det av en återkommande varnings-signal och texten "FILL" på fuktdisplayen 1. Samtidigt stängs förångaren av.

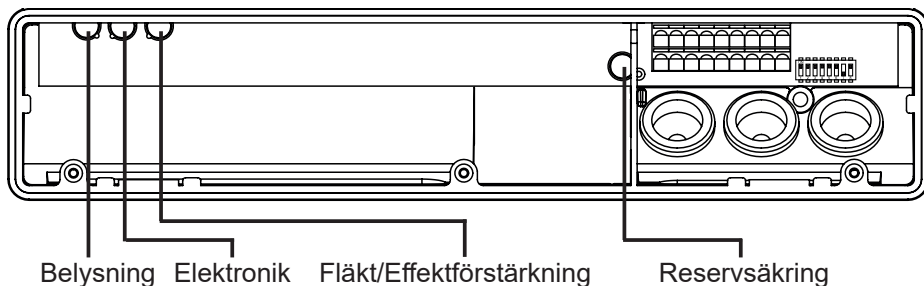
- Fyll på vatten i förångarens vattenbehållare.
 - ▶ Efter en kort tid slocknar texten "FILL" och förångaren påbörjar uppvärmningen återigen.

12.3. Säkringar

I styrenhetens anslutningsområde finns säkringar till belysning, fläkt/effektförstärkning och elektronik, samt en reservsäkring.

Det handlar om tröga 1A mikrosäkringar.

De här säkringarna kan beställas under artikelnummer PRO-FUSE.



För att byta säkring, drar du hela insatsen rakt utåt och sätter in en ny säkring.

13. Tekniska data

Omgivningsförhållanden

Förvaringstemperatur:	-25 °C till +70 °C
Omgivningstemperatur:	-10 °C till +40 °C
Luftfuktighet:	max. 95 %

Styrenhet för bastu

Mått:	307 x 175 x 57 mm
Brytspänning/trefas 3N:	400 V AC
Frekvens:	50 Hz
Bryteffekt/värmeapparat:	3 x 3,5 kW
Brytström per fas/värmeapparat:	16 A
Bryteffekt/förångare:	3,5 kW
Brytström/förångare:	16 A
Märkspänning:	230 V
Skyddsklass (stänkvattenskyddad):	IPX4
Anslutning till elnätet som fast anslutning	

Belysning

Bryteffekt:	100 W
Säkring:	1A T

Fläkt

Bryteffekt:	100 W
Säkring:	1A T

Inställningsområde

Temperatur:	30 °C till 110 °C
Fuktighet:	0 % till 100 %

Max. inställningsbar fuktighet beror på bastutemperaturen. Ju högre bastutemperatur, desto lägre max. inställningsbart fuktvärde.

SV



Termisk säkerhet

Aggregatgivare med övertemperaturskydd (139 °C avstängningstemperatur)

Automatisk värme-tidsbegränsning kan ställas in (6 h, 12 h, 18 h, 24 h)*

Drift med en eller två givare

Anslutningsledningar

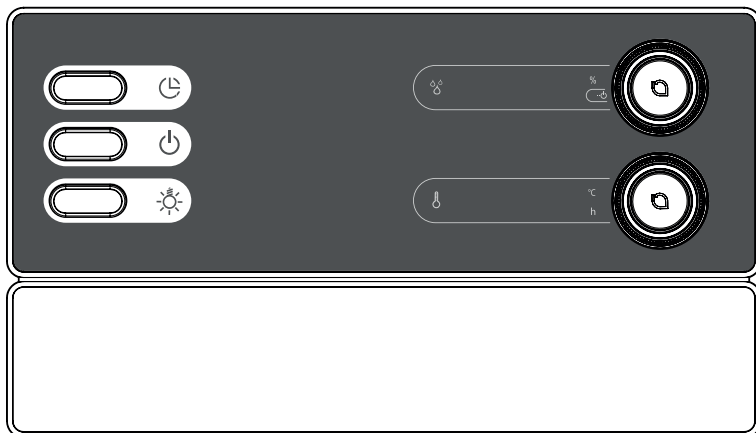
Försörjningsledning:	min. 5 x 2,5 mm ²
Ledning till aggregatet (temperaturbeständig upp till 150 °C):	Min. 2,5 mm ²
Ledningar till givare (temperaturbeständiga upp till 150 °C):	Min. 0,5 mm ²
Belysningskabel:	mn. 1,5 mm ²
Fläktledning:	mn. 1,5 mm ²

* EN 60335-2-53 föreskriver en värme-tidsbegränsning på 6 h för privata bastur. På bastur i hotell, flerfamiljshus och liknande platser kan en värme-tidsbegränsning på 12 h användas. Endast på offentliga bastur kan värme-tidsbegränsning förlängas till 18 h eller 24 h.

Saunaohjain

Pro B3 PRO-B3

ASENNUS- JA KÄYTTÖOHJEET
Suomi



FI

Sisällysluettelo

1. Sananen näistä ohjeista	5
2. TÄRKEITÄ OHJEITA turvallisuutesi varmistamiseksi	6
2.1. Käyttötarkoitus	6
2.2. Turvaohjeita käyttäjälle	8
3. Tuotekuvaus	9
3.1. Toimituskokonaisuus	9
3.2. Valinnaiset lisätarvikkeet	9
3.3. Tuotteen toiminnot	9
3.4. Saunan käyttötavat	10
3.5. Anturikäyttötavat	10
4. Asennus	12
4.1. Saunaohjaimen asentaminen	12
4.2. Ylikuumenemissulakkeella varustetun kiuasanturin F1 asentaminen	14
4.3. Laudeanturin F2 (valinnainen) asentaminen	15
4.4. Kosteus-lämpötila-anturin FTS2 (valinnainen) asentaminen	15
5. Sähköliitäntä	16
5.1. Syöttöjohdon, kiukaan ja höyrystimen liittäminen	17
5.2. Valon liittäminen	17
5.3. Tuulettimen (valinnainen) liittäminen	18
5.4. Teholaajennuksen (valinnainen) liittäminen	18
5.5. Kiuasanturin F1 liittäminen	18
5.6. Laudeanturin F2 (valinnainen) liittäminen	18
5.7. Kosteus-lämpötila-anturin FTS2 (valinnainen) liittäminen	19
5.8. Turvakatkaisimen liittäminen	19
5.9. Etäkäynnistys	20
5.10. Asennuksen viimeistely	20

6. Tarkastukset	21
7. Liitäntäkaavio	23
8. Käyttöönotto	24
8.1. Lämmitysajan rajoituksen asettaminen	24
8.2. Vaihesovituksen aktivointi/deaktivointi	25
8.3. Yksianturikäytön aktivointi/deaktivointi	25
8.4. Pelkän höyrystimen käytön aktivointi	25
8.5. Kiukaan lämpötilan näyttäminen yksianturikäytössä	26
9. Käyttö	27
9.1. Käyttölaitteet	27
9.2. Valon kytkeminen päälle	27
9.3. Saunaohjaimen kytkeminen päälle	28
9.4. Saunakäytön kytkeminen päälle	28
9.5. Yhdistelmäkäytön kytkeminen päälle	29
9.6. Ohjelämpötilan muuttaminen	30
9.7. Ohjekosteuden muuttaminen	30
9.8. Valmiustila etäkytkennän aktivoimiseksi	31
9.9. Ajastimen asettaminen	32
9.10. Ajastintoiminnon keskeyttäminen	33
9.11. Jälkikuivausohjelman keskeyttäminen	33
9.12. Saunakäytön kytkeminen pois päälle	33
9.13. Saunaohjaimen kytkeminen pois päältä	33
10. Puhdistus ja huolto	34
10.1. Puhdistus	34
10.2. Huolto	34

11. Hävittäminen	34
12. Ongelmanratkaisu	35
12.1. Virheilmoitukset	35
12.2. Vedenpuutteen näyttö	36
12.3. Sulakkeet	36
13. Tekniset tiedot	37

1. Sananen näistä ohjeista

Lue nämä asennus- ja käyttöohjeet huolellisesti läpi ja säilytä niitä saunaohjaimen lähellä. Näin voit katsoa turvallisuuttasi sekä käyttöä koskevia tietoja milloin tahansa.



Asennus- ja käyttöohjeet saat myös Internet-sivujemme materiaalinlatausosiosta osoitteesta www.sentiotec.com/downloads.

Symbolit ja varoitukset

Näissä asennus- ja käyttöohjeissa annetaan varoitus ennen toimia, jotka muodostavat vaaratekijän. Näitä varoituksia on ehdottomasti noudatettava. Näin vältät esinevahingot ja loukkaantumiset, jotka pahimmassa tapauksessa voivat aiheuttaa jopa kuoleman.

Varoituksissa käytetään huomiosanoja, joiden merkitys on seuraava:



VAARA!

Jos et noudata tätä varoitusta, seurauksena on kuolema tai vakava loukkaantuminen.



VAROITUS!

Jos et noudata tätä varoitusta, seurauksena voi olla kuolema tai vakava loukkaantuminen.



VARO!

Jos et noudata tätä varoitusta, seurauksena voi olla lievä loukkaantuminen.

HUOMIO!

Tällä huomiosanalla varoitetaan esinevahingoista.

Muut symbolit



Tällä symbolilla merkitään vinkit ja hyödylliset ohjeet.

2. TÄRKEITÄ OHJEITA turvallisuutesi varmistamiseksi

Saunaohjain Pro B3 on valmistettu tunnustettujen turvateknisten säätöjen mukaisesti. Käytön yhteydessä voi silti ilmetä vaaroja. Noudata siksi seuraavia turvaohjeita ja yksittäisissä luvuissa annettuja erityisiä varoituksia. Noudata myös liitettyjen laitteiden turvaohjeita.

2.1. Käyttötarkoitus

Saunaohjain Pro B3 on tarkoitettu ainoastaan toimintojen ohjaukseen ja säätelyyn teknisten tietojen mukaisesti.

Saunaohjainta Pro B3 saa käyttää ainoastaan sellaisen kiukaan ohjaamiseen ja säätelyyn, joka läpäisee standardin EN 60335-2-53 kohdan 19.101 mukaisen peittämiskokeen. Jollei tämä kiuas täytä vaatimuksia, on tehtävä vastaavat turvallisuustoimenpiteet (esim. turvakatkaisu, katso **5.8** sivulla **19**).

Saunaohjainta Pro B3 saa käyttää vain 3 lämmityspiirin ohjaamiseen ja säätelyyn. Lämmitysteho saa olla tällöin enintään 3,5 kW lämmityspiiriä kohti. Maksimihöyrystinteho on 3,5 kW.

Muunlaisen käytön katsotaan poikkeavan tuotteen käyttötarkoituksesta. Tuotteen käyttötarkoituksesta poikkeava käyttö voi johtaa tuotteen vaurioitumiseen, vakaviin vammoihin tai kuolemaan.

Turvaohjeita asentajalle

- Vain sähköalan ammattilainen tai vastaavan pätevyyden omaava henkilö saa suorittaa asennuksen.
- Saunaohjaimen liittyviä töitä saa tehdä vain jännitteettömässä tilassa.
- Asiakkaan on järjestettävä ylijännitekategorian III mukainen kaikkinaipainen erotuslaite, joka takaa täyden katkaisun.
- Saunaohjain on asennettava saunahuoneen ulkopuolelle n. 1,70 m korkeuteen tai saunahuoneen valmistajan suositusten mukaisesti. Ympäristölämpötilan on oltava -10 °C :n ja 40 °C :n välillä.
- Kiuasanturi tulee kiinnittää siten, että sisään virtaava ilma ei vaikuta siihen.
- Kiukaan syöttökaapelin poikkipinta-alan täytyy olla vähintään $2,5\text{ mm}^2$. Kaapelin täytyy myös kestää enimmillään 150 °C :een lämpötiloja.
- Noudata myös sijoituspaikan paikallisia määräyksiä.
- Käänny oman turvallisuutesi vuoksi toimittajasi puoleen sellaisissa ongelmissa, joita ei käsitellä asennusohjeessa kyllin tarkasti.

2.2. Turvaohjeita käyttäjälle

- Alle 8-vuotiaat lapset eivät saa käyttää saunaohjainta.
- Yli 8-vuotiaat lapset, fyysisiltä, sensorisilta tai henkisiltä kyvyiltään rajoittuneet henkilöt sekä kokemattomat ja tietämättömät henkilöt saavat käyttää saunaohjainta seuraavin ehdoin:
 - jos he ovat valvonnan alaisina
 - jos heille on näytetty turvallinen käyttö ja he ymmärtävät vaarat, joita voi syntyä.
- Lapset eivät saa leikkiä saunaohjaimella.
- Alle 14-vuotiaat lapset saavat puhdistaa saunaohjainta vain, kun he ovat valvonnan alaisina.
- Jätä saunominen terveydellisistä syistä väliin, jos olet alkoholin, lääkkeiden tai huumeiden vaikutuksen alaisena.
- Ennen kuin kytket kiukaan päälle, varmista, että kiukaalla ei ole tulenarkoja esineitä.
- Ennen kuin kytket ajastintoiminnon tai etäkäynnistyksen valmiustilan päälle, varmista, että kiukaan päällä ei ole tulenarkoja esineitä.
- Käänny oman turvallisuutesi vuoksi toimittajasi puoleen sellaisissa ongelmissa, joita ei käsitellä käyttöohjeessa kyllin tarkasti.

3. Tuotekuvaus

3.1. Toimituskokonaisuus

- Saunaohjain
- Kiuasanturi, jossa integroitu ylikuumenemissulake
- Asennusmateriaali
- Metallilankasilloitus liittimien **V1** ja **Wm** silloittamiseen yhdistelmäkiukaissa, joissa ei ole vedenpuutetekatkaisinta

3.2. Valinnaiset lisätarvikkeet

- Laudeanturi (tuotenumero: O-F2)
- Kosteus-lämpötila-anturi (tuotenro: O-FTS2)
- Teholaajennus (tuotenumero: O-S2-18 / O-S2-30)
- Turvakatkaisin (tuotenumero: SFE-xxxxx)
- Verkkopalvelin pronet (tuotenumero: PRO-NET)

3.3. Tuotteen toiminnot

Saunaohjaimessa Pro B3 on seuraavat toiminnot:

- Yhdistelmäkiukaiden säätäminen lämmitystehoon 10,5 kW ja höyrystimen tehoon 3,5 kW saakka lämpötila-alueella 30 °C ... 110 °C ja kosteusalueella 5–100 %.
- Teholaajennuksen avulla maksimikytkeänteho voidaan suurentaa 10,5 kW:sta 18 kW:iin tai 30 kW:iin.
- Etäkäynnistystoiminto
- Ajastustoiminto (24 tuntiin asti)
- Automaattinen lämmitysajan rajoitus
Saunaohjain kytkeytyy maksimilämmitysajan jälkeen turvallisuussyistä automaattisesti pois päältä. Maksimilämmitysajaksi voidaan asettaa 6 tuntia, 12 tuntia, 18 tuntia tai 24 tuntia.
- Jälkikuivausohjelma
Jälkikuivausohjelma kytkeytyy automaattisesti päälle yhdistelmäkäytön jälkeen, jotta saunahuoneeseen ei pääse muodostumaan hometta eikä lahoa. Toiminto lämmittää saunahuonetta 30 minuutin ajan 80 °C:een tuulettimen käydessä.

- **Ylikuumenemissulake**
Ylikuumenemissulake sijaitsee kiuasanturin anturirungossa. Jos kiuas lämmittää vian takia toivelämpötilan saavuttamisen jälkeen edelleen, ylikuumenemissulake kytkee kiukaan automaattisesti pois päältä, kun n. 139 °C:een lämpötila saavutetaan.

3.4. Saunan käyttötavat

Saunaohjain Pro B3 mahdollistaa kaksi käyttötapaa: sauna- ja yhdistelmäkäytön.

Saunakäyttö

Saunakäytössä lämpö on kuivaa. Saunahuoneen lämpötila on korkea (80...100 °C). Kosteusarvot ovat vähäiset, enintään 10 %.

Yhdistelmäkäyttö

Yhdistelmäkäytössä on kiukaan lisäksi käytössä myös höyrystin. Saunahuoneen lämpötila on alhaisempi (n. 40...65 °C) kuin saunakäytössä, kun taas suhteellinen ilmankosteus on huomattavasti suurempi, 35 %...noin 70 %. Suurin asetettava ohjekosteus riippuu saunan lämpötilasta. Mitä korkeampi lämpötila, sitä vähäisempi on suurin asetettava kosteusarvo.

3.5. Anturikäyttötavat

Saunaohjainta voidaan käyttää yhden tai kahden anturin avulla. Toisena anturina voidaan käyttää lämpötila-anturia (laudeanturi, F2) tai kosteus-lämpötila-anturia (FTS2).

Yksianturikäyttö (F1)

Yksianturikäyttö täytyy aktivoida käyttöönoton yhteydessä (ks. **8.3. Yksianturikäytön aktivointi/deaktivointi** sivulla **25**).

Yksianturikäytössä saunaohjain toimii vain ylikuumenemissulakkeella varustetun kiuasanturin (F1) avulla. Se sisältyy toimituskokonaisuuteen.

Yksianturikäytössä saunaohjaimen vakioasetuksena on vain ohjelämpötilan näyttäminen. Tosilämpötilaa ei näytetä. Jos saunaohjaimen halutaan näyttävän yksianturikäytössä kiukaan yläpuolisen lämpötilan (F1-anturi) tosilämpötilana, tämä täytyy aktivoida käyttöönnoton yhteydessä (ks. **8.5. Kiukaan lämpötilan näyttäminen yksianturikäytössä** sivulla **26**).

Suurin asetettava kosteusarvo riippuu kiukaan yläpuolella vallitsevasta lämpötilasta, ja kosteus tahdistetaan. Saunaohjaimen näytössä näkyy ainoastaan kosteuden ohjearvo (suhteellinen ilmankosteus-%). Kun kosteus tahdistetaan, saunahuoneen todellinen kosteus riippuu saunahuoneen koosta ja höyrystimen tehosta, ja se voi poiketa asetetusta ohjearvosta.

Kaksianturikäyttö laudeanturilla (F2)

Laudeanturin avulla tapahtuvaa kaksianturikäyttöä varten asennetaan toinen lämpötila-anturi (laudeanturi) taaemman lauteen yläpuolelle. Saunaohjain näyttää tosi-lämpötilana laudeanturin mittaaman lämpötilan.

Kun kaksianturikäytössä käytetään laudeanturia, kosteus tahdistetaan. Saunaohjaimen näytössä näkyy ainoastaan kosteuden ohjearvo (suhteellinen ilmankosteus-%). Kun kosteus tahdistetaan, saunahuoneen todellinen kosteus riippuu saunahuoneen koosta ja höyrystimen tehosta, ja se voi poiketa asetetusta ohjearvosta.

Kaksianturikäyttö kosteus-lämpötila-anturilla (FTS2)

Kun kaksianturikäytössä käytetään kosteus-lämpötila-anturia, saunaohjain näyttää tosilämpötilana sen lämpötilan, jonka kosteus-lämpötila-anturi mittaa.

Kun kaksianturikäytössä käytetään kosteus-lämpötila-anturia, höyrystintä säädetään saunahuoneesta mitatun kosteuden mukaisesti. Saunaohjaimen näytössä näkyy saunahuoneen todellinen kosteus (suhteellinen ilmankosteus-%).

4. Asennus

4.1. Saunaohjaimen asentaminen

HUOMIO!

Laitteen vauriot

Saunaohjain on roiskevesisuojuattu, mutta laite voi kuitenkin vaurioitua joutuesaan suoraan kosketukseen veden kanssa.

- Asenna saunaohjain kuivaan paikkaan, jossa ilmankosteus ei ylitä maksimiarvoa 95 %.
-

HUOMIO!

Häiriölähteet häittaavat signaalinvälitystä

- Vedä kaikki anturijohdot erillään muista verkkojohdoista ja ohjainjohdoista.
 - Suojaa yksinkertaisesti eristetyt johdot putkella (kaksoiseristys).
-

Noudata saunaohjaimen asennuksessa seuraavia kohtia:

- Saunaohjain on asennettava saunahuoneen ulkopuolelle tai saunahuoneen valmistajan suositusten mukaisesti.
 - Ympäristölämpötilan on oltava -10 °C:n ja $+40\text{ °C:n}$ välillä.
 - Anturit saa liittää vain oheisilla anturijohdoilla, jotka kestävät lämpöä 150 °C:een asti.
-

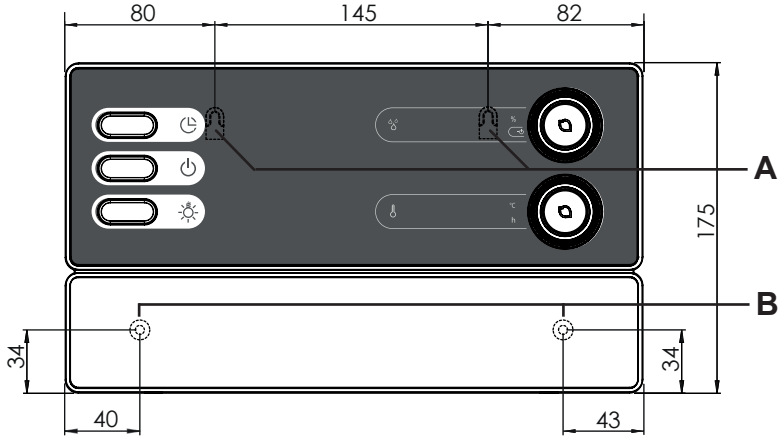


Anturijohtoja saa jatkaa ainoastaan seuraavin ehdoin:

- Käytetään silikonijohtoa, joka kestää 150 °C:n lämpötilaa.
 - Johdon vähimmäispoikkipinta-ala on $0,5\text{ mm}^2$.
 - Kiuasanturijohdojen pituus EI saa olla yli 10 m.
-

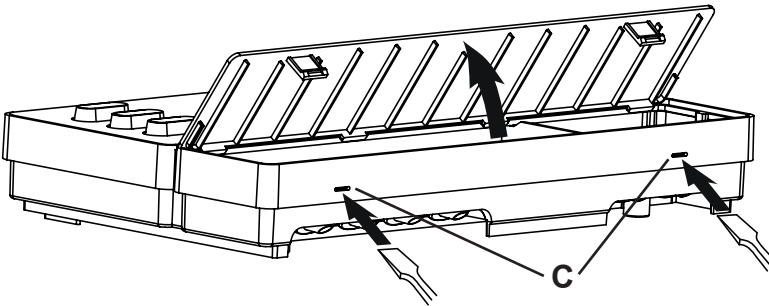
Asenna saunaohjain tekemällä seuraavat työvaiheet:

1. Ruuvaa kaksi ristipääruuvia (16 mm) saunan seinään n. 1,70 m:n korkeudelle siten, että niiden kannat jäävät 7 mm:n etäisyydelle seinäpinnasta. Ruuvien pitää olla 145 mm:n etäisyydellä toisistaan (ks. **Kuva 1**).



Kuva 1 Ripustimen paikka ja asennusreiät (mittayksikkö: mm)

2. Paina sulkusalpoja **C** ruuvitaltalla hieman sisään ja ota kotelon kansi pois (katso **Kuva 2**).
3. Ripusta saunaohjain ripustinten **A** avulla ristipääruuveihin, jotka äsken asensit (ks. **Kuva 1**).
4. Ruuvaa kaksi ristipääruuvia (16 mm) alakiinnitysreikiin **B** (ks. **Kuva 1**).



Kuva 2 Kotelon kannen irrotus

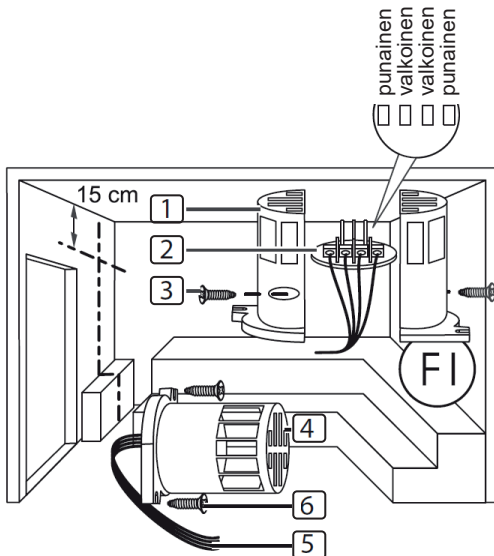
4.2. Ylikuumenemissulakkeella varustetun kiuasanturin F1 asentaminen

Noudata kiuasanturin asennuksessa seuraavia kohtia:

- Kiuasanturi on asennettava kiukaan takaseinämään keskikohdan yläpuolelle. Etäisyyttä saunahuoneen kattoon on oltava noin 15 cm.
- Kiuasanturi tulee kiinnittää siten, että sisään virtaava ilma ei vaikuta siihen.

Asenna kiuasanturi tekemällä seuraavat työvaiheet (ks. **Kuva 3**):

1. Vedä molemmat 2-napaiset kiuasanturijohdot saunahuoneen seinään kiuasanturin asennuspaikkaan ja kiinnitä kiuasanturijohdot johdonkiristimillä.
2. Vedä kiuasanturin kotelon puolikkaat **1** irti toisistaan.
3. Liitä kiuasanturijohdon **5** neljä liitintä kiuasanturiin kuten **Kuva 3** esittää.
4. Aseta liitäntälevy **2** poikittain (kuten **Kuva 3** esittää) kiuasanturin kotelon puolikkaisiin.
5. Sulje kotelon puolikkaat, ruuvaa ne yhteen ne kahdella ristipääruuvilla **3** (9 mm) ja tarkista, onko kiuasanturi tiukasti kiinni.
6. Asenna kiuasanturi kiukaan takaseinään kahdella oheisella puuruuvilla **6** (16 mm).



- 1** kiuasanturin kotelon puolikkaat
- 2** Liitäntälevy
- 3** ristipääruuvit (9 mm)
- 4** kiuasanturi
- 5** kiuasanturin johdot
- 6** puuruuvit (16 mm)

Kuva 3 Kiuasanturin asentaminen

4.3. Laudeanturin F2 (valinnainen) asentaminen

Laudeanturi asennetaan saunahuoneen seinään takalauteen yläpuolelle. Etäisyyttä saunahuoneen kattoon on oltava noin 15 cm.

Asenna laudeanturi tekemällä seuraavat työvaiheet:

1. Vedä 2-napainen laudeanturijohto saunahuoneen seinään laudeanturin asennuspaikkaan ja kiinnitä laudeanturijohto johdonkiristimillä.
2. Vedä laudeanturin kotelon puolikkaat irti toisistaan.
3. Liitä laudeanturin kaksi liitintä liitäntälevyn kahteen keskimmäiseen liitimeen.
4. Aseta liitäntälevy poikittain laudeanturin kotelon puolikkaisiin.
5. Sulje kotelon puolikkaat ja ruuvaa ne yhteen ne kahdella ristipääruuvilla (9 mm).
6. Tarkista, onko laudeanturi tiukasti kiinni.
7. Asenna laudeanturi saunahuoneen seinään kahdella oheisella puuruuvilla (16 mm). Etäisyyttä saunahuoneen kattoon on oltava 15 cm.

4.4. Kosteus-lämpötila-anturin FTS2 (valinnainen) asentaminen

Kosteus-lämpötila-anturi asennetaan saunahuoneen seinään takalauteen yläpuolelle. Etäisyyttä saunahuoneen kattoon on oltava noin 15 cm.

Asenna kosteus-lämpötila-anturi tekemällä seuraavat työvaiheet:

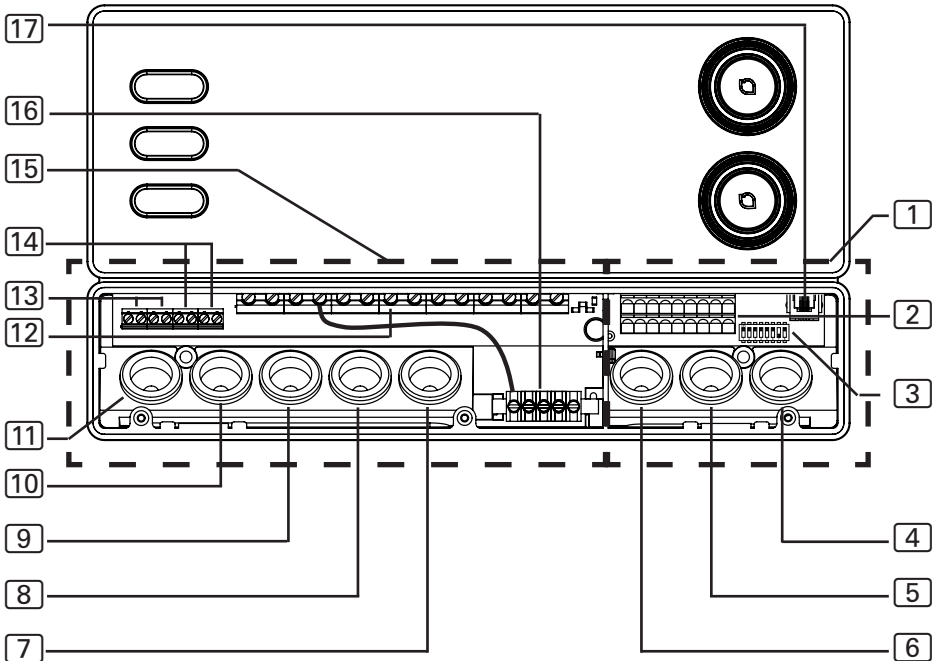
1. Vedä 5-napainen anturijohto saunahuoneen seinään kosteus-lämpötila-anturin asennuspaikkaan ja kiinnitä anturijohdot johdonkiristimillä.
2. Asenna kosteus-lämpötila-anturi saunahuoneen seinään kahdella oheisella puuruuvilla (16 mm). Etäisyyttä saunahuoneen kattoon on oltava 15 cm.

5. Sähköliitäntä

HUOMIO!

Laitteen vauriot

- Saunaohjainta saa käyttää vain 3 lämmityspiirin ohjaamiseen ja säätelyyn; kunkin lämmityspiirin lämmitysteho saa olla enintään 3,5 kW. Maksimihöyrystinteho on 3,5 kW.



- | | | | |
|---|--|----|---|
| 1 | pienjännitteen liitäntäalue | 9 | syöttöjohdon johtoläpivienti |
| 2 | turvakatkaisimen, etäkäynnistyksen ja anturinjohtojen riviliitin | 10 | teholaaennuksen johtoläpivienti |
| 3 | toimintojen valintakytkin | 11 | valon ja tuulettimen johtoläpivienti |
| 4 | F2- ja FTS2-anturin johdonläpivienti | 12 | kiukaan, höyrystimen ja syöttöjohdon riviliitin |
| 5 | F1-anturin johtoläpivienti | 13 | valon ja tuulettimen riviliitin |
| 6 | turvakatkaisimen ja etäkäynnistyksen johtoläpivienti | 14 | teholaaennuksen riviliitin |
| 7 | höyrystinjohdon johtoläpivienti | 15 | 230 V / 400 V -liitäntäalue |
| 8 | kiukaan johdon johtoläpivienti | 16 | maadoituskisko |
| | | 17 | RS-485:n ja pronetin RJ45-naarasliitin |

Noudata saunaohjaimen sähköliitännöiden osalta seuraavia kohtia:

- Vain sähköalan ammattilainen tai vastaavan pätevyyden omaava henkilö saa suorittaa asennuksen.



Huomaa, että takuuvaatimusten esittämiseksi tarvitaan kopio liitännän tehneen sähköliikkeen laskusta.

- Saunaohjaimen liittyviä töitä saa tehdä vain jännitteettömässä tilassa.
- Sähkönsyöttö on toteutettava kiinteällä liitännällä.
- Asiakkaan on järjestettävä ylijännitekategorian III mukainen kaikkinaapainen erotuslaite, joka takaa täyden katkaisun.
- Noudata kytkentäkaaviota (**Kuva 4**) sivulla **23**.

5.1. Syöttöjohdon, kiukaan ja höyrystimen liittäminen

1. Vedä syöttöjohto ja kiukaan ja höyrystimen johto johtoläpivientien [9], [8] ja [7] kautta 230 V / 400 V -liitäntäalueelle [15].
2. Liitä liitäntäjohdot kytkentäkaavion mukaisesti riviliittimeen [12].
Noudata tällöin kunkin laitteen käyttöohjeita.
3. Jos höyrystimessä ei ole automaattista vedenpuutekatkaisinta, tee lisäksi seuraavat toimet:
 - Liitä oheisella metallilankasilloituksella liitin "V1" liittimeen "Wm".

5.2. Valon liittäminen

1. Vedä valojohto johtoläpiviennin [11] kautta 230 V / 400 V -liitäntäalueelle [15].
2. Liitä valojohto kytkentäkaavion mukaisesti riviliittimeen [13]. Noudata tällöin kulloisenkin laitteen käyttöohjeita.

5.3. Tuulettimen (valinnainen) liittäminen

1. Vedä tuuletinjohto johtoläpiviennin [11] kautta 230 V / 400 V -liitäntä-alueelle [15].
2. Liitä tuuletinjohto kytkentäkaavion mukaisesti riviliittimeen [13].
Noudata tällöin kulloisenkin laitteen käyttöohjeita.

5.4. Teholaajennuksen (valinnainen) liittäminen

1. Vedä teholaaennuksen johto johtoläpiviennin [10] kautta 230 V / 400 V -liitäntä-alueelle [15].
2. Liitä teholaaennuksen johto kytkentäkaavion mukaisesti riviliittimeen [14].
Käytä tällöin liitintä "ST1" turvapiirille ja liitintä "ST2" ohjauspiirille.
Noudata kulloisenkin laitteen käyttöohjeita.

5.5. Kiuasanturin F1 liittäminen

1. Vedä kiuasanturijohdot johtoläpiviennin [5] kautta pienjännitteen liitäntä-alueelle [1].
2. Liitä kiuasanturin punaiset johdot riviliittimen [2] liittimiin, joissa on merkintä "STB".
3. Liitä kiuasanturin valkoiset johdot riviliittimen [2] liittimiin, joissa on merkintä "F1".

5.6. Laudeanturin F2 (valinnainen) liittäminen

1. Vedä laudeanturijohdot johtoläpiviennin [4] kautta pienjännitteen liitäntä-alueelle [1].
2. Liitä laudeanturin johdot riviliittimen [2] liittimiin, joissa on merkintä "F2".

5.7. Kosteus-lämpötila-anturin FTS2 (valinnainen) liittäminen

1. Vedä anturijohdot johtoläpiviennin **4** kautta pienjännitteen liitäntäalueelle **1**.
2. Liitä lämpötila-anturin johdot riviliittimen **2** liittimiin, joissa on merkintä "F2".
 - a. Liitä musta johto oikeanpuoleiseen liittimeen.
 - b. Liitä ruskea johto vasemmanpuoleiseen liittimeen.
3. Liitä kosteusanturin johdot riviliittimen **2** liittimiin, joissa on merkintä "+ S -".
 - c. Liitä vihreä johto liittimeen "+".
 - d. Liitä oranssi johto liittimeen "S".
 - e. Liitä punainen johto liittimeen "-".

5.8. Turvakatkaisimen liittäminen

Standardin EN 60335-2-53 mukaan etäohjauksella varustettuja saunaohjaimia saa käyttää ainoastaan sellaisen kiukaan ohjaamiseen ja säätelyyn, joka läpäisee kohdan 19.101 mukaisen peittämiskokeen. Vaihtoehtoisesti kiukaaseen tai sen yläpuolelle voidaan asentaa vastaava turvakatkaisin. Se kytkee kiukaan pois päältä, jos kiukaan päälle lasketaan esineitä kuten pyyhe.

Asenna turvakatkaisin tekemällä seuraavat työvaiheet:

1. Asenna turvakatkaisin laitteen käyttöohjeessa kuvatulla tavalla.
2. Vedä turvakatkaisimen johdot johtoläpiviennin **6** kautta pienjännitteen liitäntäalueelle **1**.
3. Liitä turvakatkaisimen johdot riviliittimen **2** liittimiin, joissa on merkintä "OSG".



Jos turvakatkaisinta ei asenneta, tekstillä "OSG" merkittyihin liittimiin täytyy muodostaa metallilankasilloitus.

5.9. Etäkäynnistys

Liitântä tehdään käyttäen liittimiä "S", "B" ja "C". "S" merkitsee saunakäyttöä ja "C" höyrystinkäyttöä. "B" on +24 V DC -lähtö. Jälkimmäinen täytyy kytkeä kytkimen tai toimilaitteen avulla halutun käyttötavan liittimeen.

5.10. Asennuksen viimeistely

1. Liitä syöttöjohdon ja kaikkien laitteiden maadoitusjohtimet maadoituskiskoon **16**.
2. Aseta kotelon kansi liitântärasian yläreunalle.
3. Paina sulkusalpoja hieman sisään ja käännä kotelon kantta alaspäin kunnes kuulet sen loksahdavan kiinni.

6. Tarkastukset

Seuraavat tarkastukset täytyy teettää hyväksytyllä sähköasentajalla.



VAROITUS!

**Seuraavat tarkastukset suoritetaan, kun virransyöttö on päällä.
Sähköiskuvaara.**

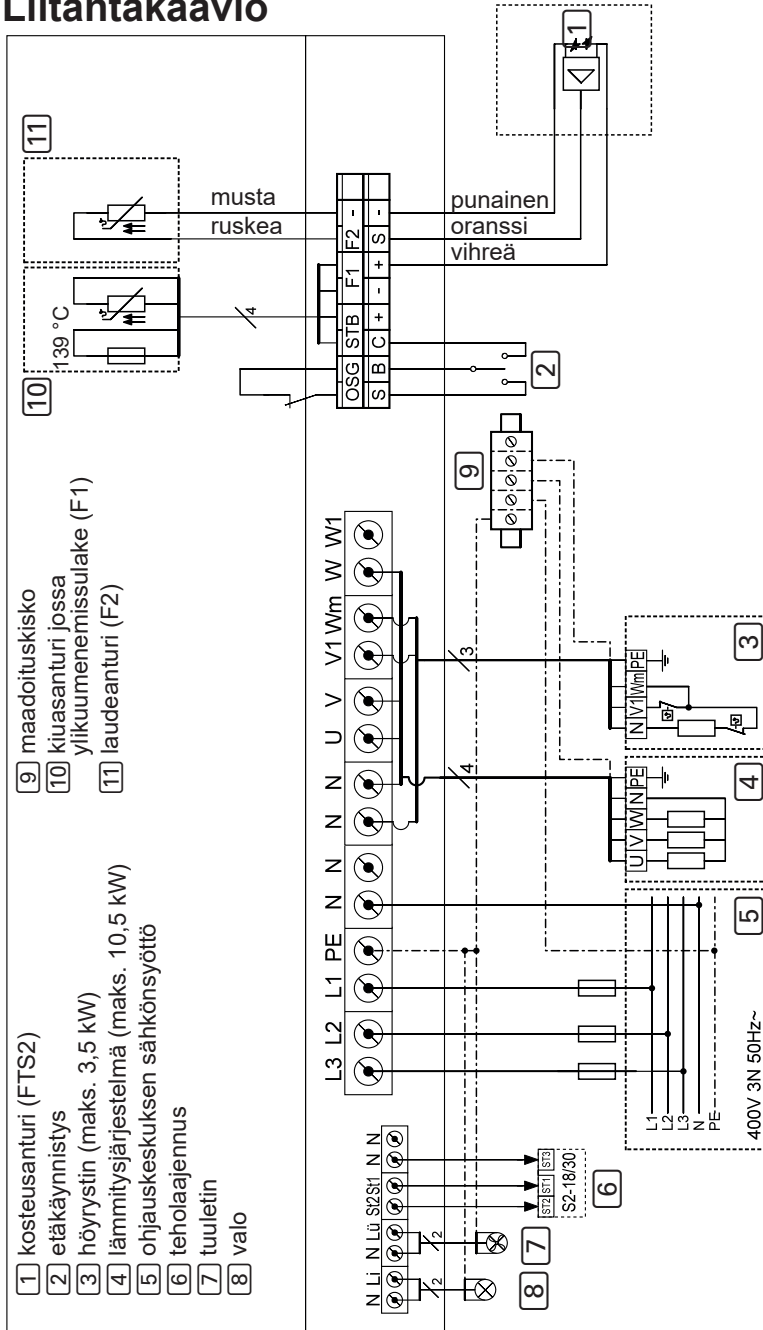
- ÄLÄ KOSKAAN kosketa sähköä johtavia osia.

1. Tarkasta maadoitusjohtojen kosketus maadoitusjohdinliittimeen.
2. Tarkasta kiuasanturin F1 ylikuumenemissulake.
 - a. Kytke saunaohjain päälle.
 - b. Avaa kiuasohjain ja irrota toinen punaisista kiuasanturin johdoista.
 - ▶ Ylänäytössä näkyy "Err", alanäytössä "02", ja ohjain kytkee kiukaan pois päältä.
 - c. Kytke saunaohjain pois päältä.
 - d. Liitä punainen kiuasanturin johto takaisin paikalleen.
 - e. Irrota nyt toinen valkoisista kiuasanturin johdoista.
 - f. Kytke saunaohjain päälle.
 - ▶ Ylänäytössä näkyy "Err", alanäytössä "04F1", ja ohjain kytkee kiukaan pois päältä.
 - g. Kytke saunaohjain pois päältä.
 - h. Liitä valkoinen kiuasanturin johto takaisin paikalleen.
3. Tarkasta vaihekytkentä saunakäyttöön L1, L2, L3 – U, V, W.
4. Tarkasta vaihekytkentä höyrystinkäyttöön L1, L2, L3 – U, V1, W.

5. Tarkasta saunaohjaimen suurin sallittu lämmitysteho 3,5 kW per vaihe.
6. Jos käytössä on valinnainen teholaajennus
 - a. Tarkasta ohjaimen johdot ST1, ST2 ja ST3.
 - b. Tarkasta teholaajennuksen S2-18 suurin sallittu lämmitysteho 3 kW per vaihe.
 - c. Tarkasta teholaajennuksen S2-30 suurin sallittu lämmitysteho 7 kW per vaihe.

7. Liitäntäkaavio

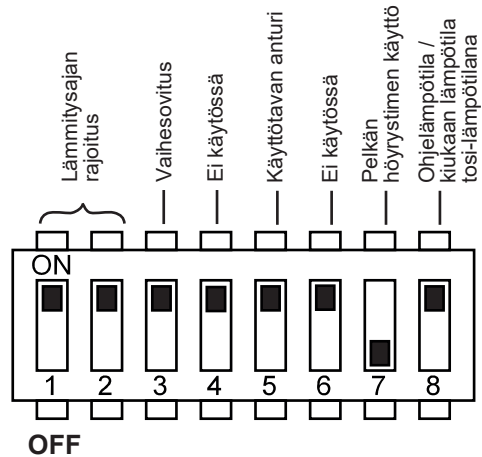
Kuva 4 Liitäntäkaavio



8. Käyttöönotto

Pienjännitteen liitännäalueen toimintojen valintakytkimellä voidaan aktivoida erilaisia tuotetoimintoja. Oikealla olevassa kuvassa näkyy toimintojen valintakytkimen vakioasetus.

Huomaa, että muutosten tekemisen jälkeen ohjain täytyy kytkeä pois päältä 10 sekunnin ajaksi, jotta asetukset tallentuvat.



Kuva 5 Toimintojen valintakytkin – vakioasetus

8.1. Lämmitysajan rajoituksen asettaminen

Maksimilämmitysajan vakioasetus on 6 tuntia. Saunaohjain kytkeytyy maksimilämmitysajan jälkeen turvallisuussyistä automaattisesti pois päältä.

Pienjännitteen liitännäalueen toimintojen valintakytkimellä maksimilämmitysajaksi voidaan asettaa 12 tuntia, 18 tuntia tai 24 tuntia. Tähän tarvittavat toimintojen valintakytkimen asennot on merkitty oikealla olevaan taulukkoon.

Toimintojen valintakytkin	1	2
6 h	ON	ON
12 h	OFF	ON
18 h	ON	OFF
24 h	OFF	OFF



Standardin EN 60335-2-53 mukaan yksityissaunojen lämmitysajan saa rajoittaa enintään 6 tuntiin. Hotelleissa, kerrostaloissa ja vastaavissa paikoissa lämmitysajan saa rajoittaa enintään 12 tuntiin. Lämmitysajan rajoitusta saa laajentaa 18 tuntiin tai 24 tuntiin vain julkisissa saunoissa.

8.2. Vaihesovituksen aktivointi/deaktivointi

Vaihesovitus aktivoidaan ja deaktivoidaan toimintojen valintakytkimellä **3**.

- Toimintojen valintakytkimen **3** vakioasetuksena on ON-asento. Näin ollen vaihesovitus on aktivoituna.
- Jos haluat deaktivoida vaihesovituksen, aseta toimintojen valintakytkin **3** OFF-asentoon.

8.3. Yksianturikäytön aktivointi/deaktivointi

Yksianturikäytössä saunaohjain toimii vain ylikuumenemissulakkeella varustetun kiuasanturin (F1-anturi) avulla. Yksianturikäyttö täytyy aktivoida toimintojen valintakytkimellä **5**.

- Toimintojen valintakytkimen **5** vakioasetuksena on ON-asento. Näin ollen aktivoituna on kaksianturikäyttö.
- Jos haluat aktivoida yksianturikäytön, aseta toimintojen valintakytkin **5** OFF-asentoon.

8.4. Pelkän höyrystimen käytön aktivointi

Tehdasasetuksena on, että höyrystimen voi ottaa käyttöön vain yhdessä lämmitysjärjestelmän kanssa. Jos halutaan käyttää pelkkää höyrystintä ilman lämmitysjärjestelmää, on aktivoitava pelkän höyrystimen käyttö toimintojen valintakytkimellä **7**.

- Toimintojen valintakytkimen **7** vakioasetuksena on OFF-asento. Näin ollen pelkän höyrystimen käyttö on deaktivoitu.
- Jos haluat aktivoida pelkän höyrystimen käytön, aseta toimintojen valintakytkin **7** ON-asentoon.

8.5. Kiukaan lämpötilan näyttäminen yksianturikäytössä

Yksianturikäytössä saunaohjaimen vakioasetuksena on vain ohjelämpötilan näyttäminen. Tosilämpötilaa ei näytetä. Jos saunaohjaimen halutaan näyttävän yksianturikäytössä kiukaan yläpuolisen lämpötilan (F1-anturi) tosilämpötilana, tämä täytyy aktivoida toimintojen valintakytkimellä **8**.

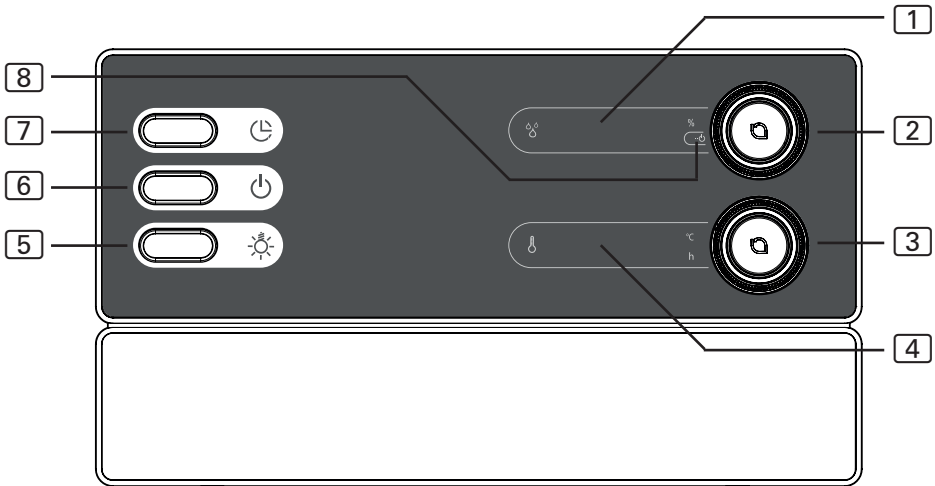
- Toimintojen valintakytkimen **8** vakioasetuksena on ON-asento. Näin ollen vain ohjelämpötila näytetään.
- Jos kiukaan yläpuolella vallitseva lämpötila halutaan näyttää tosilämpötilana, kytke toimintojen valintakytkin **8** OFF-asentoon.



Huomaa, että lämpötila kiukaan yläpuolella on aina lauteiden alueen lämpötilaa korkeampi. Kun kiukaan yläpuolista lämpötilaa käytetään tosilämpötilana, saunaohjaimen näyttämä lämpötila on saunahuoneen lämpömittarin näyttämää lämpötilaa korkeampi.

9. Käyttö

9.1. Käyttölaitteet



1 kosteusnäyttö

2 kosteudenvälitsin

3 lämpötilanvälitsin

4 lämpötilanäyttö

5 valokytkin

6 PÄÄLLE/POIS-kytkin

7 ajastinpainike

8 etäkäynnistysnäyttö

9.2. Valon kytkeminen päälle

Saunahuoneen valo voidaan sytyttää ja sammuttaa riippumatta PÄÄLLE/POIS-kytkimestä [6].

- Sytytä tai sammuta valo painamalla valokytkintä [5].

9.3. Saunaohjaimen kytkeminen päälle

**VAROITUS!****Palovaara**

Kuumalla kiukaalla olevat tulenarat esineet voivat syttyä ja aiheuttaa tulipalon.

- ÄLÄ KOSKAAN laske tulenarkoja esineitä kiukaalle.
- Ennen kuin kytket saunaohjaimen päälle, varmista, että kiukaalla EI ole tulenarkoja esineitä.

- Kytke saunaohjain päälle painamalla PÄÄLLE/POIS-kytkintä [6].
 - ▶ Kosteusnäyttöön [1] ilmestyy muutamaksi sekunniksi "0". Sen jälkeen näytetään saunahuoneen senhetkinen kosteus. Jos kosteus-lämpötila-anturia ei ole asennettuna, näytetään viimeksi asetettu ohjekosteus.
 - ▶ Lämpötilanäyttöön [4] ilmestyy muutamaksi sekunniksi "0". Sen jälkeen näytetään saunahuoneen senhetkinen lämpötila. Yksianturikäytössä näytetään viimeksi asetettu ohjelämpötila.

9.4. Saunakäytön kytkeminen päälle

1. Valitse haluamasi lämpötila lämpötilanvalitsimella [3].
 - ▶ Lämpötilanvalitsin [3] vilkkuu, ja asetettu ohjelämpötila näkyy lämpötilanäytössä [4].
2. Paina lämpötilanvalitsinta [3].
 - ▶ Kiuas kytkeytyy päälle ja alkaa lämmittää.
 - ▶ Lämpötilanäytössä [4] näkyy saunahuoneen senhetkinen lämpötila. Yksianturikäytössä näytetään ohjelämpötila.

9.5. Yhdistelmäkäytön kytkeminen päälle

1. Valitse haluamasi lämpötila lämpötilanvalitsimella [3].
 - ▶ Lämpötilanvalitsin [3] vilkkuu, ja asetettu ohjelämpötila näkyy lämpötilanäytössä [4].
2. Paina lämpötilanvalitsinta [3].
 - ▶ Kiuas kytkeytyy päälle ja alkaa lämmittää.
 - ▶ Lämpötilanäytössä [4] näkyy saunahuoneen senhetkinen lämpötila. Yksianturikäytössä näytetään ohjelämpötila.
3. Valitse haluamasi kosteus kosteudenvalitsimella [2].
 - ▶ Kosteudenvalitsin [2] vilkkuu, ja asetettu ohjekosteus näkyy kosteusnäytössä [1].
4. Paina kosteudenvalitsinta [2].
 - ▶ Höyrystin kytkeytyy päälle.
 - ▶ Kosteusnäytössä [1] näkyy saunahuoneen senhetkinen kosteus. Jos kosteus-lämpötila-anturia ei ole asennettuna, näytetään viimeksi ohjekosteus.



Jos saunaohjainta käytetään ilman kosteus-lämpötila-anturia (FTS2), tahdistuskäyttö on aktivoituna. Jos saunahuoneen lämpötila on alle 30°, höyrystin kytketään 10 minuutiksi yhtäjaksoisesti päälle. Näin säiliössä oleva vesi saavuttaa peruslämpötilan. Sen jälkeen käynnistyy tahdistuskäyttö.



Höyrystimen voi käynnistää vain, jos kiuas on kytketty päälle. Suurin asetettava ohjekosteus riippuu saunan lämpötilasta. Mitä korkeampi lämpötila, sitä vähäisempi on suurin asetettava kosteusarvo.

Poikkeus: Aktivoituna on pelkän höyrystimen käyttö (ks. **8.4. Pelkän höyrystimen käytön aktivointi sivulla 25**). Tässä tilassa höyrystimen voi ottaa käyttöön myös ilman kiuasta, maksimikosteus riippuu kuitenkin saunahuoneen senhetkisestä lämpötilasta.

9.6. Ohjelämpötilan muuttaminen

Voit muuttaa asetettua ohjelämpötilaa milloin tahansa käytön aikana.

- Säädä lämpötilaa korkeammaksi kiertämällä lämpötilan valitsinta **3** oikealle. Säädä lämpötilaa alhaisemmaksi kiertämällä lämpötilan valitsinta **3** vasemmalle.
 - ▶ Lämpötilanvalitsin **3** vilkkuu, ja asetettu ohjelämpötila näkyy lämpötilanäytössä **4**.
 - ▶ Tämän jälkeen lämpötilanäytössä **4** näkyy taas saunahuoneen senhetkinen lämpötila. Yksianturikäytössä näytetään ohjelämpötila.

9.7. Ohjekosteuden muuttaminen

Voit muuttaa asetettua ohjekosteutta milloin tahansa yhdistelmäkäytön aikana.

- Säädä kosteutta suuremmaksi kiertämällä kosteudenvälitsintä **2** oikealle. Säädä kosteutta vähäisemmäksi kiertämällä kosteudenvälitsintä **2** vasemmalle.
 - ▶ Kosteudenvälitsin **2** vilkkuu, ja asetettu ohjekosteus näkyy kosteusnäytössä **1**.
 - ▶ Tämän jälkeen kosteusnäytössä **1** näkyy taas saunahuoneen senhetkinen kosteus. Jos kosteus-lämpötila-anturia ei ole asennettuna, näytetään viimeksi ohjekosteus.

9.8. Valmiustila etäkytkennän aktivoimiseksi

Standardin EN 60335-2-53 mukaan etäkäynnistystoiminnolla varustetut saunaohjaimet täytyy kytkeä manuaalisesti käyttötilaan "Valmiustila etäkytkennän aktivoimiseksi". Tämä aktivointi täytyy tehdä uudelleen joka kerta, kun kiuas on etäkytketty päälle tai pois. Tee sitä varten seuraavat vaiheet:

1. Paina lämpötilanvalitsinta **3** kolmen sekunnin ajan.
 - ▶ Etäkytkentänäyttö **8** alkaa vilkkua.
 - ▶ Saunaohjain on nyt valmiina kytkeytymään päälle tai pois etäkytkentäsignaalin avulla.
 - ▶ Kun kiuas on etäkytketty päälle tai pois, etäkytkentänäyttö sammuu, ja käyttötilan aktivointi on tehtävä uudelleen.

9.9. Ajastimen asettaminen



VAROITUS!

Palovaara

Kuumalla kiukaalla olevat tulenarat esineet syttyvät ja aiheuttavat tulipalon.

- ÄLÄ KOSKAAN laske tulenarkoja esineitä kiukaalle.
 - Ennen kuin kytket ajastintoiminnon päälle, varmista, että kiukaalla EI ole tulenarkoja esineitä.
-

Voit säätää ajastinta 15 minuuttia kerrallaan. Ajastimen maksimiaika on 24 tuntia. Ajastimen aika näytetään tunteina ja minuutteina, esimerkiksi 8 tuntia ja 15 minuuttia näytetään muodossa 8.15.

1. Kytke saunakäyttö tai yhdistelmäkäyttö päälle (ks. kohdat **9.4** ja **9.5**.)
2. Paina ajastimen painiketta **[7]**.
 - ▶ Lämpötilan valitsin **[3]** vilkkuu, ja lämpötilänäytössä **[4]** näkyy ajastimeen viimeksi asetettu aika.
3. Pidennä ajastimeen asetettavaa aikaa 15 minuuttia kerrallaan ajastimen painiketta **[7]** painamalla.
4. Kun olet saavuttanut haluamasi ajan, odota muutama sekunti.
 - ▶ Saunaohjain siirtyy valmiustilaan ja ajastin on käynnissä.
 - ▶ Lämpötilänäytössä **[4]** näkyy ajastimen jäljellä oleva aika, ja lämpötilanvalitsin **[3]** vilkkuu.
 - ▶ Kun ajastimen aika on kulunut umpeen, valittu käyttötapa kytkeytyy päälle.



Ajastimeen viimeksi asetettu aika tallentuu, joten viimeksi asetettu arvo voidaan ottaa käyttöön yhdellä painalluksella. Nollaa ajastimen aika arvoon 00:00 painamalla ajastimen painiketta kolmen sekunnin ajan

9.10. Ajastintoiminnon keskeyttäminen

- Keskeytä ajastintoiminto painamalla ajastimen painiketta **7** kolmen sekunnin ajan.
 - ▶ Ajastimeen asetettu aika lakkaa kulumasta.
 - ▶ Lämpötilanäytössä **4** näkyy saunahuoneen senhetkinen lämpötila. Yksianturikäytössä näytetään ohjelämpötila.

9.11. Jälkikuivausohjelman keskeyttäminen

Yhdistelmäkäytön jälkeen jälkikuivausohjelma käynnistyy automaattisesti. Toiminto lämmittää saunahuonetta 30 minuutin ajan 80 °C:een tuulettimen käydessä. Lämpötilanäytössä **4** näkyy teksti ”dry”.

- Keskeytä jälkikuivausohjelma painamalla lämpötilanvalitsinta **3** kolmen sekunnin ajan.



Jotta homeen ja lahon muodostuminen voidaan estää, jälkikuivaustointoa EI pidä keskeyttää.

9.12. Saunakäytön kytkeminen pois päälle

- Paina lämpötilanvalitsinta **3**.
 - ▶ Kiuas on kytketty pois päältä. Yhdistetyn käytön jälkeen (vähintään 3 minuuttia) jälkikuivausohjelma käynnistyy automaattisesti.

9.13. Saunaohjaimen kytkeminen pois päältä

- Kytke saunaohjain pois päältä painamalla PÄÄLLE/POIS-kytkintä **6**.
 - ▶ Kosteusnäyttö **1** ja lämpötilanäyttö **4** sammuvat.
 - ▶ Saunaohjain on kytketty pois päältä.

10. Puhdistus ja huolto

10.1. Puhdistus

HUOMIO!

Laitteen vauriot

Saunaohjain on roiskevesisuojaattu, mutta laite voi kuitenkin vaurioitua joutuessaan suoraan kosketukseen veden kanssa.

- ÄLÄ KOSKAAN upota laitetta veteen.
 - Älä kaada laitteen päälle vettä.
 - Älä puhdista laitetta liian kostealla liinalla.
-

1. Kasta puhdistusliina mietoon saippualiukseen.
2. Väännä puhdistusliina kuivaksi.
3. Pyyhi saunaohjaimen kotelo varovasti puhtaaksi.

10.2. Huolto

Saunaohjainta ei tarvitse huoltaa.

11. Hävittäminen



- Hävitä pakkausmateriaali voimassaolevien määräysten mukaisesti.
- Laiteromussa on kierrätettäviä materiaaleja, mutta myös haitallisia aineita. Älä siis missään tapauksessa hävitä laiteromua sekajätteen mukana, vaan hävitä laite paikallisten voimassa olevien määräysten mukaisesti.

12. Ongelmanratkaisu

12.1. Virheilmoitukset

Saunaohjaimessa on diagnoosiohjelmisto, joka tarkistaa järjestelmän tiloja päällekytkennän ja käytön aikana. Saunaohjain kytkee kiukaan pois päältä heti, kun diagnoosiohjelmisto havaitsee virheen.

Virheet ilmaistaan toistuvalla varoitusäänellä ja kosteudenseläimen [2] sekä lämpötilanseläimen [3] vilkkumisella. Lisäksi kosteusnäytössä [1] näkyy teksti "Err". Lämpötilanäytössä [4] näkyy virheen numero.

Kytke saunaohjain pois päältä PÄÄLLE/POIS-kytkimellä [6] ja korjaa virhe, ennen kuin kytket saunaohjaimen uudelleen päälle.

Seuraavassa taulukossa on kuvattu mahdolliset virheet ja niiden aiheuttajat. Ilmoita virheen numero tarvittaessa asiakaspalveluun.

Virhe	Kuvaus	Syy / ratkaisu
01	Turvakatkaisin	Kiukaan päällä on esine. Poista esine, ennen kuin otat saunaohjaimen uudelleen käyttöön. Jos turvakatkaisua ei ole asennettu, noudata kohtaa 5.8. Turvakatkaisimen liittäminen sivulla 19.
02	Lämpötilan turvarajoitin	Kiukaan yläpuolen enimmäislämpötila 139 °C on ylittynyt.
04F1	Kiuasanturin virhe	Viallinen kiuasanturi, huono kosketus tai oikosulku
06F2	Laudeanturin virhe	Viallinen laudeanturi, huono kosketus tai oikosulku
07	Kosteusanturin virhe	Viallinen kosteusanturi, huono kosketus tai oikosulku

12.2. Vedenpuutteen näyttö

Yhdistelmäkäytössä saunaohjaimessa on automaattinen vedenpuutteen näyttö, mikäli yhdistelmäkiukaasi sitä tukee.

Jos höyrystimen vesisäiliö on tyhjä, asiasta kerrotaan toistuvalla merkkiäänellä ja tekstillä "FILL" kosteusnäytössä **1**. Samalla höyrystin kytkeytyy pois päältä.

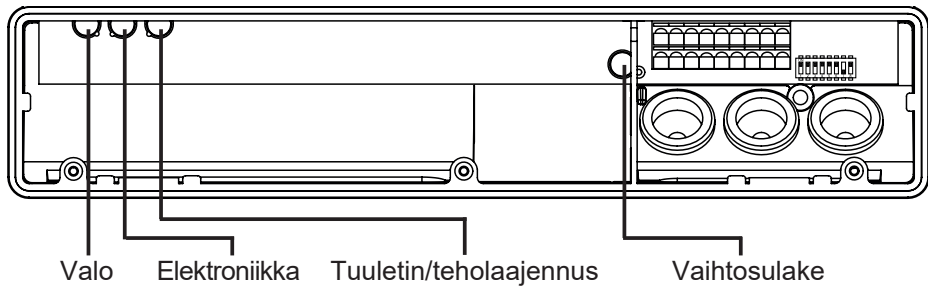
- Lisää höyrystimen vesisäiliöön vettä.
 - ▶ Vähän ajan päästä teksti "FILL" sammuu, ja höyrystin alkaa taas kuumentaa.

12.3. Sulakkeet

Saunaohjaimen liitäntäalueella on sulakkeet valoa, tuuletinta/teholaajennusta ja elektroniikkaa varten sekä vaihtosulakkeet.

Ne ovat hitaita 1A-mikrosulakkeita.

Niitä voi tilata tuotenumeroilla PRO-FUSE.



Kun vaihdat sulakkeen, vedä sulake irti suorassa asennossa ja aseta uusi sulake paikoilleen.

13. Tekniset tiedot

Ympäristövaatimukset

Varastointilämpötila:	-25 °C ... +70 °C
Ympäristön lämpötila:	-10 °C ... +40 °C
Ilmankosteus:	maks. 95 %

Saunaohjain

Mitat:	307 x 175 x 57 mm
Kytkenäjäännite / kolmivaiheinen 3N:	400 V AC
Taajuus:	50 Hz
Kytkenäjäteho/lämmityslaite:	3 x 3,5 kW
Kytkenäjävirta per vaihe/lämmityslaite:	16 A
Kytkenäjäteho/höyrystin:	3,5 kW
Kytkenäjävirta /höyrystin:	16 A
Nimellisjäännite:	230 V
Kotelointiluokka (roiskevesisuojuattu):	IPX4
Liitetään syöttöverkkoon kiinteällä johdotuksella (kiinteä asennus)	

Valo

Kytkenäjäteho:	100 W
Sulake:	1 A T

Tuuletin

Kytkenäjäteho:	100 W
Sulake:	1 A T

Säätöalueet

Lämpötila:	30 °C ... 110 °C
Kosteus:	0 % ... 100 %

Suurin asetettava kosteus riippuu saunan lämpötilasta. Mitä korkeampi lämpötila, sitä vähäisempi on suurin asetettava kosteusarvo.

Terminen turvallisuus

Kiuasanturi, jossa ylikuumenemissulake (139 °C sammutuslämpötila)

Lämmitysajan automaattinen rajoitus säädettävissä (6 h, 12 h, 18 h, 24 h)*

Valinnaisena yksianturi- tai kaksianturikäyttö

Liitäntäjohdot

Syöttöjohto: min. 5 x 2,5 mm²

Kiukaan syöttöjohto

(kuumuudenkestävyys 150 °C:een asti): min. 2,5 mm²

Anturijohdot (kuumuudenkestävyys 150 °C:een asti): min. 0,5 mm²

Valojohto: min. 1,5 mm²

Tuuletinjohto: min. 1,5 mm²

* Standardin EN 60335-2-53 mukaan yksityissaunojen lämmitysajan saa rajoittaa 6 tuntiin. Hotelleissa, kerrostaloissa ja vastaavissa paikoissa lämmitysajan saa rajoittaa 12 tuntiin. Lämmitysajan rajoitusta saa laajentaa 18 tuntiin tai 24 tuntiin vain julkisissa saunoissa.



sentiotec GmbH | Division of Harvia Group | Wartenburger Straße 31, A-4840 Vöcklabruck
T +43 (0) 7672/22 900-50 | F -80 | info@sentiotec.com | www.sentiotec.com